

Service Manual

AUTOMOTIVE ELECTRONICS



MAZDA CA-DM0290F

MD Module Operation Unit [Dealer's Option]

PART No. : D352 79 BC0

VEHICLE : DEMIO, MAZDA 3

DESTINATION : All Countries

PRODUCED AFTER : July, 2002

Specifications*

General

Power Supply

DC 8V

Negative Ground

Current Consumption

60mA

Dimensions** (WxHxD)

123 x 42.2 x 37.0 (mm)

Weight**

80g

* Specifications and the design are subject to possible modification without notice due to improvements.

** Dimensions and Weight shown are approximate.

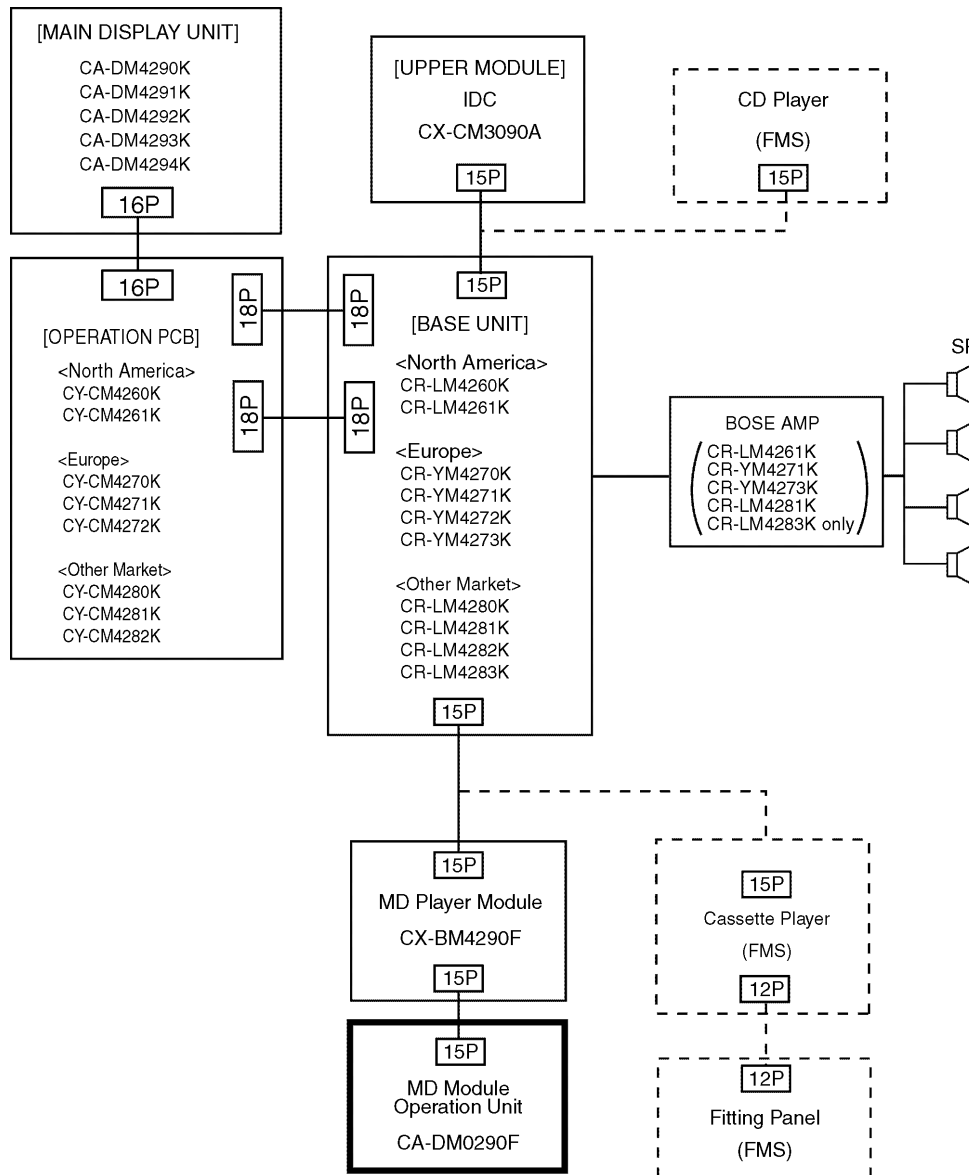
CONTENTS

	Page		Page
1 FEATUERS	2	6 REPLACEMENT PARTS LIST	5
2 SYSTEM BLOCK DIAGRAM	2	7 EXPLODED VIEW (Unit)	6
3 CENTER PANEL AUDIO SYSTEM	3	8 WIRING DIAGRAM	7
4 FRONT VIEW AND FUNCTIONS	4	9 SCHEMATIC DIAGRAM	8
5 REAR VIEW AND CONNECTOR	4		

1 FEATUERS

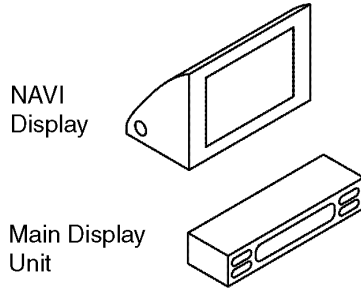
- MD Slot.
- MD Eject Button.
- Illumination : Green.

2 SYSTEM BLOCK DIAGRAM

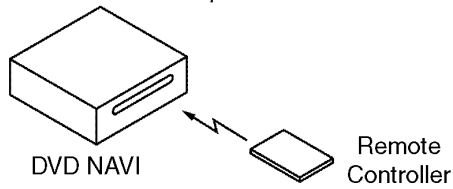
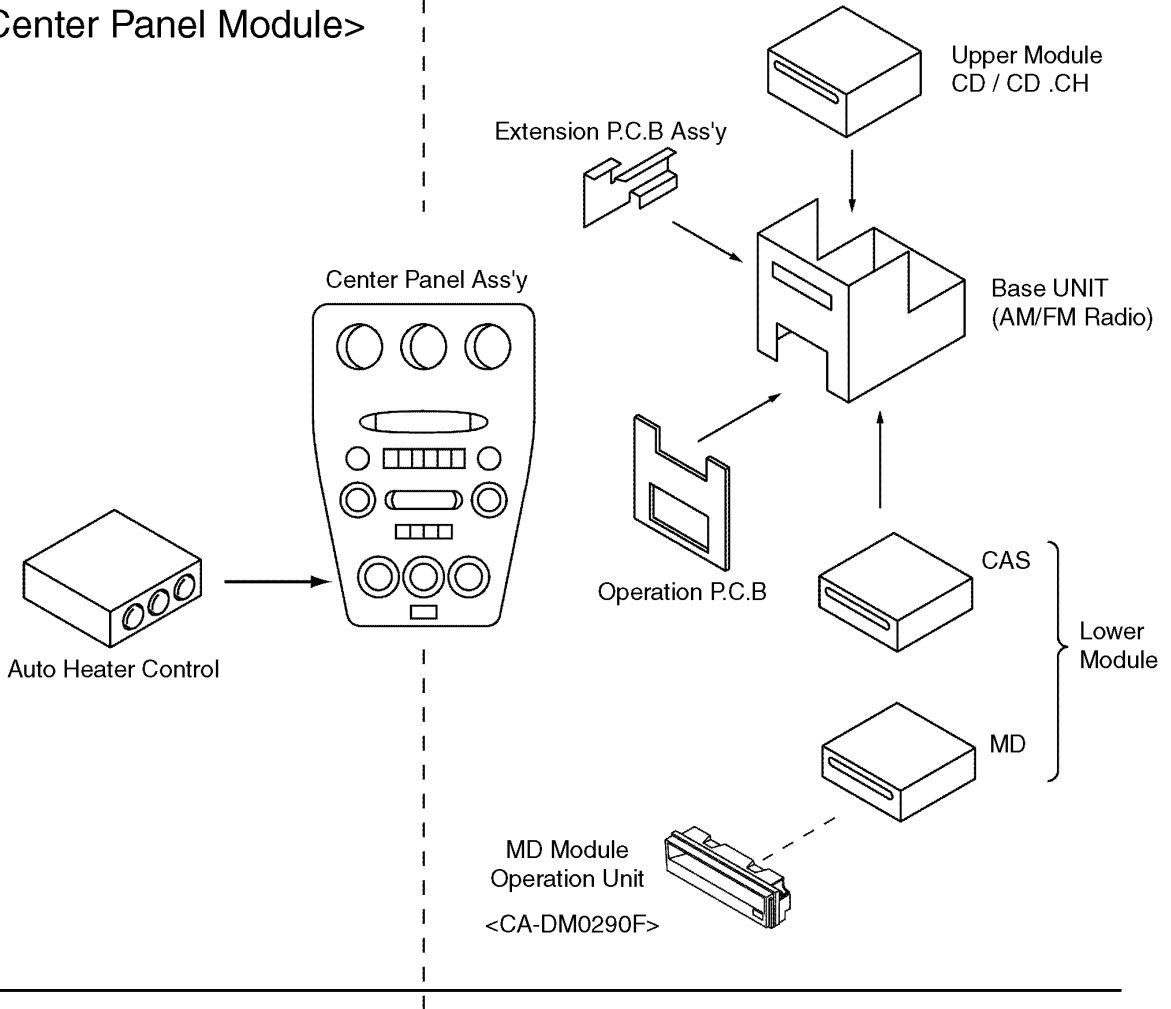


3 CENTER PANEL AUDIO SYSTEM

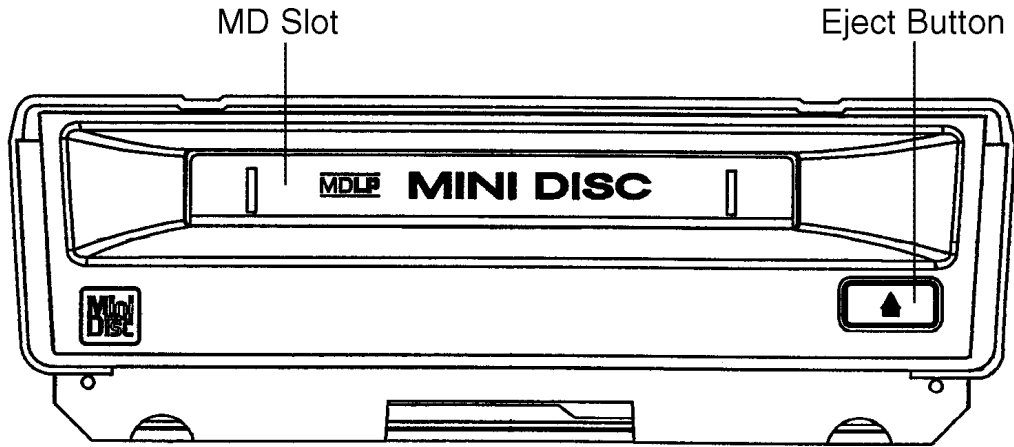
<Information Display>



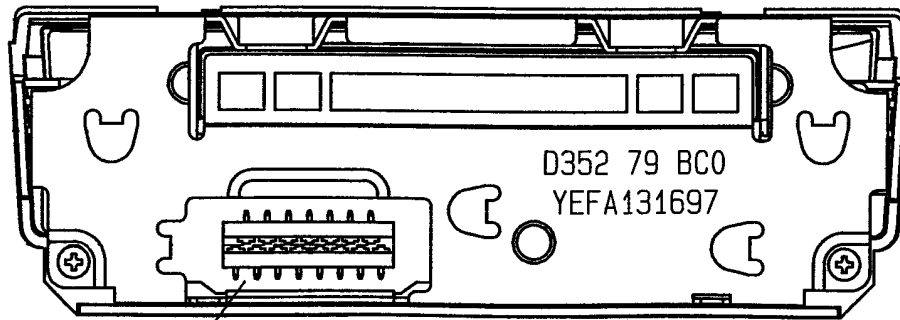
<Center Panel Module>



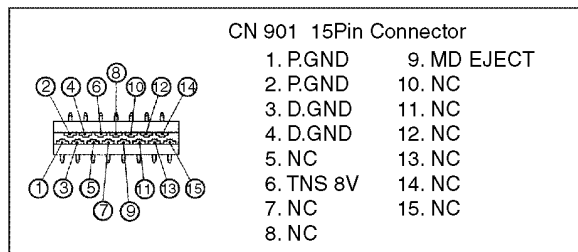
4 FRONT VIEW AND FUNCTIONS



5 REAR VIEW AND CONNECTOR



CN901



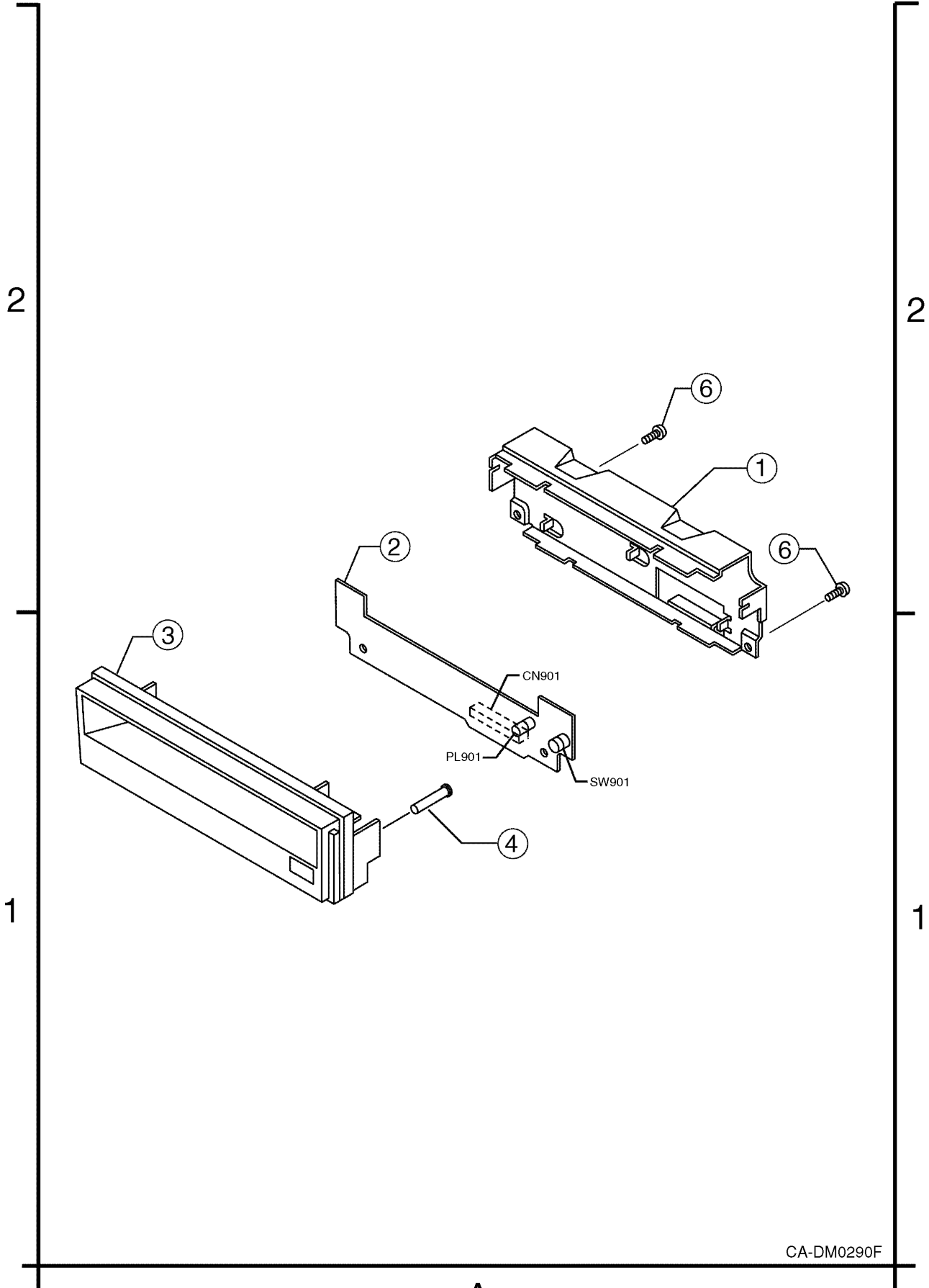
6 REPLACEMENT PARTS LIST

Notes :

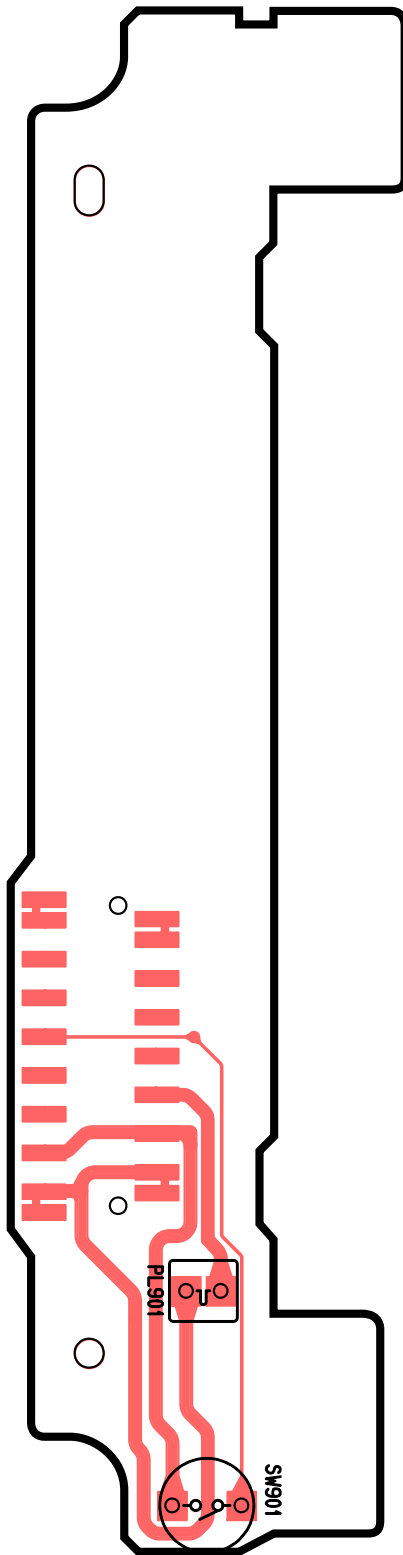
1. Be sure to make your orders of replacement parts according to this list.
2. Important safety notice: Components, identified by \triangle mark have special characteristics important for safety. When replacing any of these components, use only manufacturer's specified parts.
3. Location keys in the remarks column indicates the general location of the parts shown in the exploded drawing, as in a road map.
4. The marking (RTL) indicates that Retention Time is limited for this item. After the discontinuation of assembly in production, the item will continue to be available for a specific period of time. The retention period of availability is dependent on the type of assembly, and in accordance with the laws governing part and product retention. After the end of this period, the assembly will no longer be available.

Ref. No.	Part No.	Part Name & Description	Remarks
[E-9214] SW Block			
CONNECTOR			
CN901	K1KA15A00095	Connector, 15P	
SWITCHE			
SW901	K0F111A00149	Switch	
LAMP			
PL901	YEALSTGG066	Pilot Lamp	
Mechanical Parts			
MISCELLANEOUS			
1	YEFA131697	Case	
2	YEP0PT9214A0	PCB w/Component	RTL
3	YEF027716A	Escutcheon Ass'y	
4	YEFX9992887	SW Spacer	
6	XTB2+6GFX	Tapping Screw, 2*6mm	

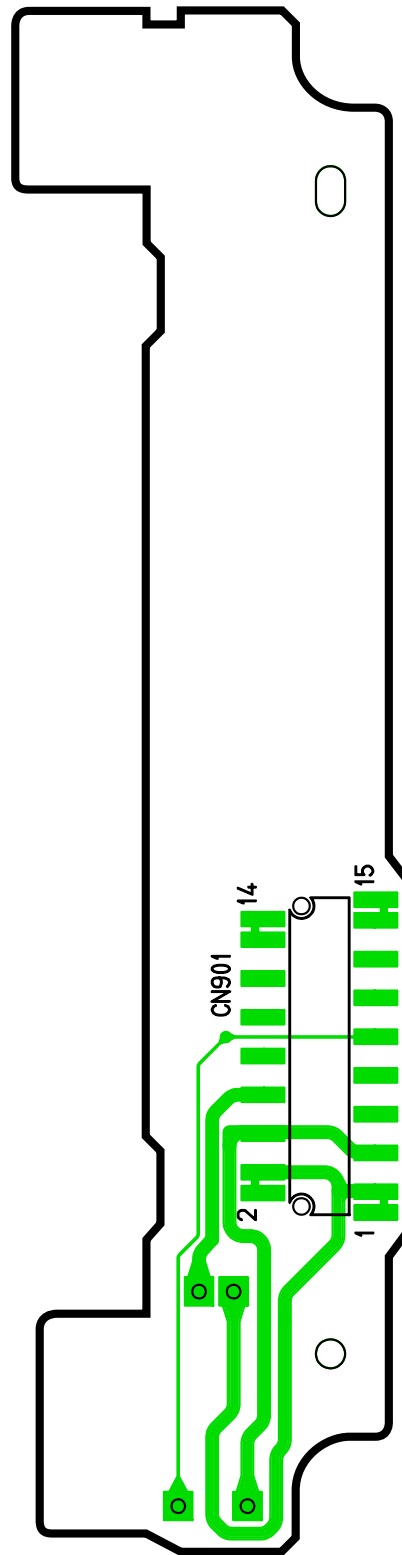
7 EXPLODED VIEW (Unit)



8 WIRING DIAGRAM

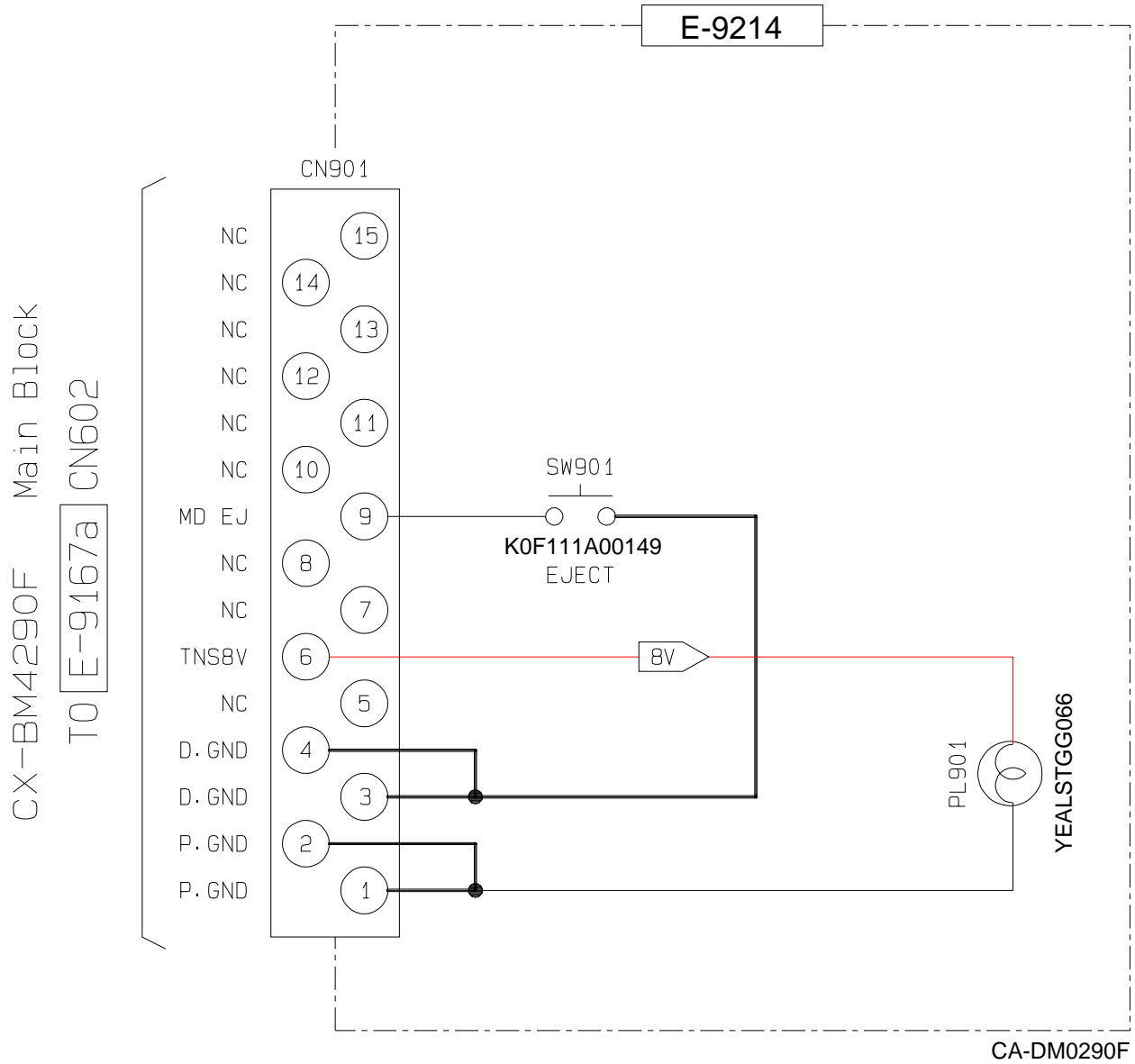


[E-9214] [Top View]



[E-9214] [Bottom View]

9 SCHEMATIC DIAGRAM



The following symbols are shown on the schematic diagram.

