

MD recordable/CD/tuner/DSP main unit

FH-P77MDR

MD/CD/Tuner/DSP main unit

FH-P66MD

Installation instructions

This product supports EIAJ code colors.

When installing the product in your vehicle, be sure to properly follow this installation manual and the separate "Safety Precautions." If you use a non-specified installation method or non-specified parts, it may cause an accident or injury. In this case, our company cannot take any responsibility.

Once the connection and installation work is completed, please give this installation manual to the retailer.

パイオニア株式会社
1-4-1 Meguro, Meguro-ku, Tokyo 153-8654

This manual uses recycled paper. ©
Pioneer Corporation 2000
< 00C00F0I00 > < CRA2968-A >

First, check the connection and installation

Body related

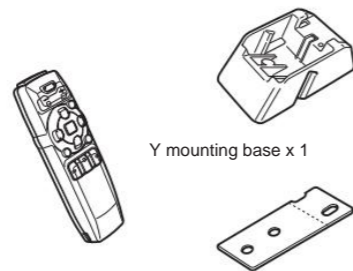


q body x 1



w Bind screw (5 x 6 mm) x 8 e Flat head screw (5 x 6 mm) x 6

Remote control related



Y mounting base x 1

t Remote control x 1 u Double-sided tape x 1

Code related



r Power cord x 1

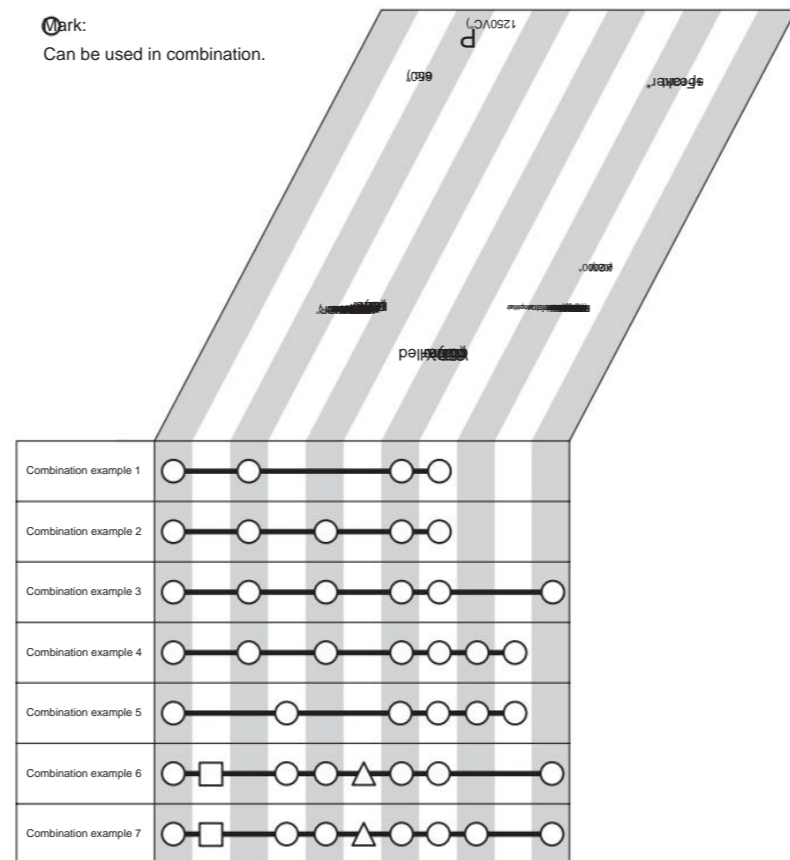
About combinations of systems

1

System list You can

configure the system as shown below. For details, please contact the store where you purchased the product.

Mark: Can be used in combination.



Mark: When used in combination, you can listen to audio from external devices (video, DAT, etc.).

Mark: Applicable to car models that have space for three D size cars at the car stereo installation location (console).

*Cannot be combined with FH-P66MD.

Connect you know before connecting1

Notes on connection

Even if the code has the same function, the color may differ between this unit and other products. When connecting this unit to other products, carefully read the installation instructions included with each product and connect cords that have the same function.

- Do not connect the red lead wire (accessory power supply) to a power circuit that is constantly supplied with power from the battery. Connecting it will drain your car battery.
- This unit's amplifier uses a circuit called BPTL. Do not directly ground the speaker lead wire or connect the (-) lead wires of multiple speakers together. •Attach the black lead wire (ground) separately from the ground of products that consume large amounts of current, such as power amplifiers. If you install all the screws together, if the screws come loose or come off, it may cause the product to emit smoke or malfunction.

•For speakers used with this unit, use high-power speakers with a maximum input of 45 W or more and an impedance of 4 to 8 Ω. Using non-standard speakers may cause fire, smoke, or damage to the speakers.

•For vehicles with glass antennas, be sure to connect the antenna booster's power supply to the blue lead wire (auto antenna) of this unit. If you forget to connect, you will not be able to receive radio signals.

The location of the antenna booster power source varies depending on the vehicle model. (In some cars, the booster will not turn on unless the radio is turned on.) For more information, please consult a dealer with installation skills.

Connection points:

Regarding IP-BUS connections

•Connect IP-BUS terminals and IP-BUS cables of the same color. (The connecting parts of the connector are color-coded.)

To prevent noise

- Place the antenna cord as far away as possible from the IP-BUS cable, speaker cord, and power lead wire.
- If you do not connect anything to the RCA cord of the main unit, do not remove the included cap.

Power wiring kit is sold separately.

•If the current consumption of the entire system is high, we recommend that you draw power directly from the battery. We sell the power wiring kit "RD-221" separately, so please contact your retailer.

How to attach and detach the

- Push in the connector until it clicks to ensure a secure connection. •When removing the connector, hold the connector and pull as shown in the illustration. If you pull the cord, it may come out.



Installation Things you need to know before installation

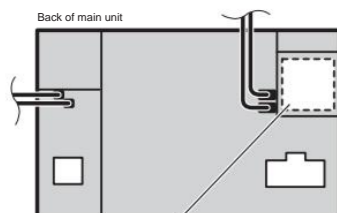
Installation points

Before installing and fixing

First, make temporary connections and confirm that the unit operates normally before installing. If it does not work properly, please check the connection again.

To avoid interfering with the heat dissipation of the amplifier

- Do not block the cords shown in the diagram below. Please place it accordingly.



Please do not block this part.

prevent noise

- Place the antenna cord as far away as possible from the IP-BUS cable, speaker cord, and power lead wire.

Mounting kit sold separately

- Depending on the model and year of the car, it may not be possible to install it unless you use the Pioneer installation kit, which is sold separately. We have special mounting kits for each vehicle type, so please consult your dealer.
- When installing on a Nissan car, depending on the car model and year, you may need the Nissan car decorative panel "ADT-N979", which is sold separately, so please consult your dealer.

Points for installing the remote control

Before applying the double-sided tape

- Thoroughly wipe away dirt from the area where the double-sided tape will be applied.

Regarding the mounting angle

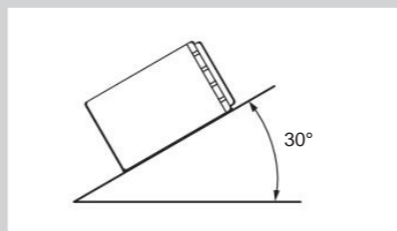
- Install the mounting base so that the remote control is horizontal or facing upward when set up.

A mounting kit is sold separately.

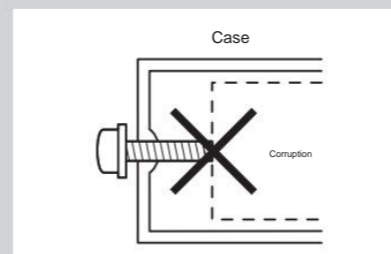
- We sell the system communicator mounting arm "AD-R60" separately, which allows you to attach the remote control to the seat rail of the passenger seat using an arm. Please contact your retailer for details.

Precautions for installation

- In order to take full advantage of this unit's performance, install it at an angle of 30 degrees or less to the horizontal.



- Make sure to use the parts included with this machine and the installation kit as specified. If you use parts other than those specified, it may damage the internal parts of the device, or it may not be securely fixed and may come off, creating a danger.

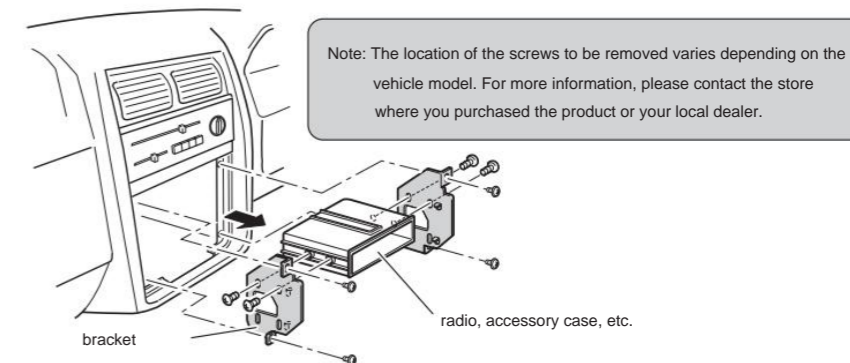


Attaching the body

Installation example (installation on Toyota and Nissan vehicles)

1 Remove car radio, accessory case, etc.

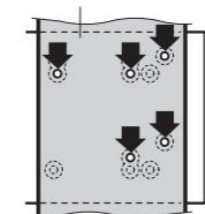
Remove the radio, accessory case, etc., and remove the brackets that hold them in place. Use that bracket to attach the machine.



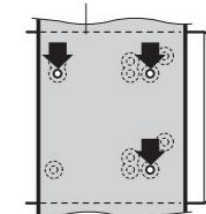
2 Check the position to fasten the screws

Place the bracket on top of the unit and check where the screw holes line up. There are four (or three) matching positions among the following screw holes. For Toyota vehicles For Nissan vehicles

toyota car bracket

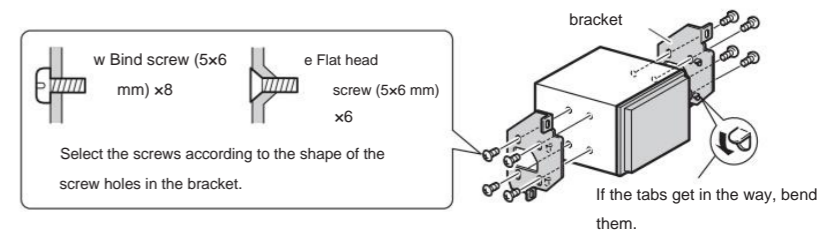


nissan car bracket



3 Attach the bracket with the included screws

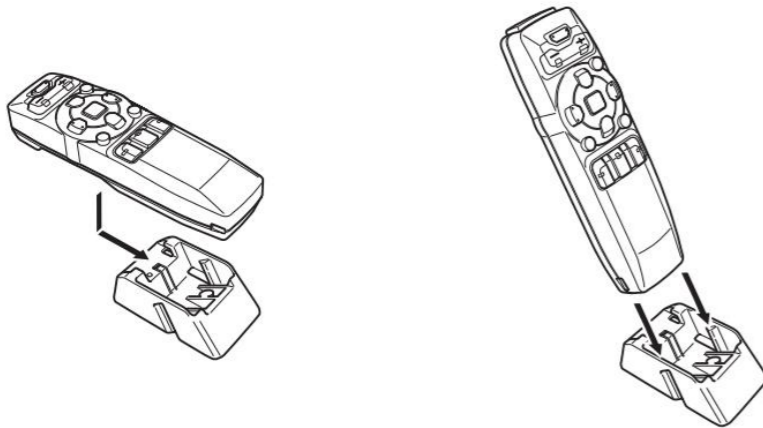
Secure the left side and right side in 4 places (or 3 places) each with the included screws and reinstall it to the car.



How to set up the remote control

Push the remote control into the mounting base until you hear a "click" sound.

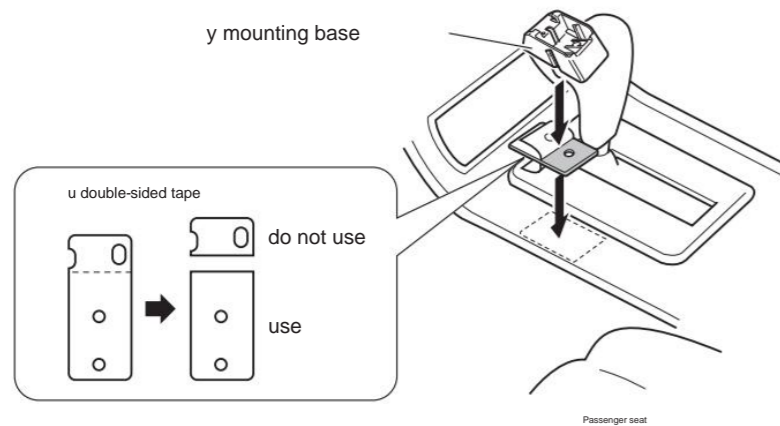
When setting horizontally When setting vertically



When installing using only the mounting base

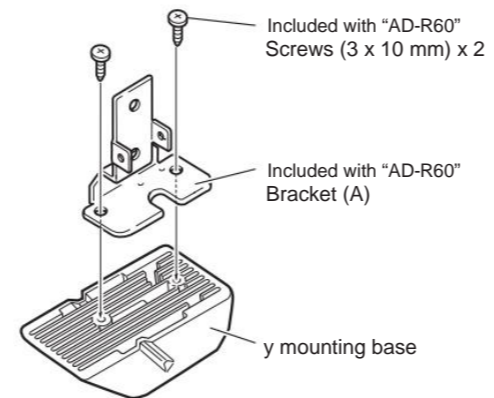
1 Attach the mounting base

Attach the mounting base to the mounting location using the included double-sided tape.



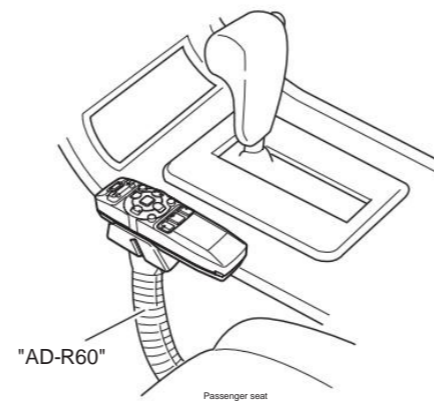
When installing using the separately sold mounting arm "AD-R60"

1 Attach the bracket (A) included with "AD-R60" Attach to mounting base



2 "AD-R60" in a car attach

Install it on the car by referring to the installation manual of "AD-R60".



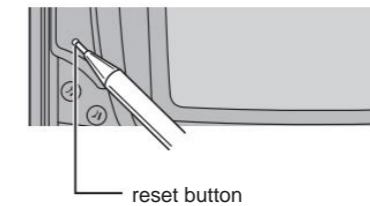
1 Check operation

After completing the connection and installation, perform the following operations to confirm that the unit operates normally. Sai.

1 Connect/install again confirm

Check each connector for errors in connection and installation.
Visually check once again that the connection is secure.
Please acknowledge.

2 With a pen tip etc. press the reset button



3 start the car engine



Four Check the operation of this machine

(yInstruction manual)