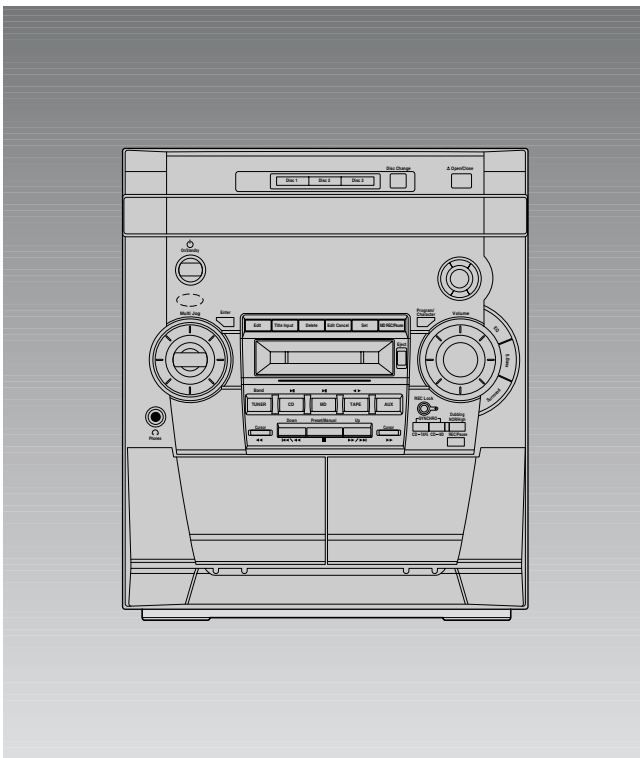




# 3 CD CHANGER MINI DISC COMPONENT MAX-934MD

# **SERVICE** Manual

## MIMI DISC COMPONENT SYSTEM



## CONTENTS

1. Alignment and Adjustments
2. Exploded Views and Parts List
3. Electrical Parts List
4. Block Diagrams
5. PCB Diagrams
6. Wiring Diagram
7. Schematic Diagrams



**ELECTRONICS**

# 1. Alignment and Adjustments

## 1-1 Tuner

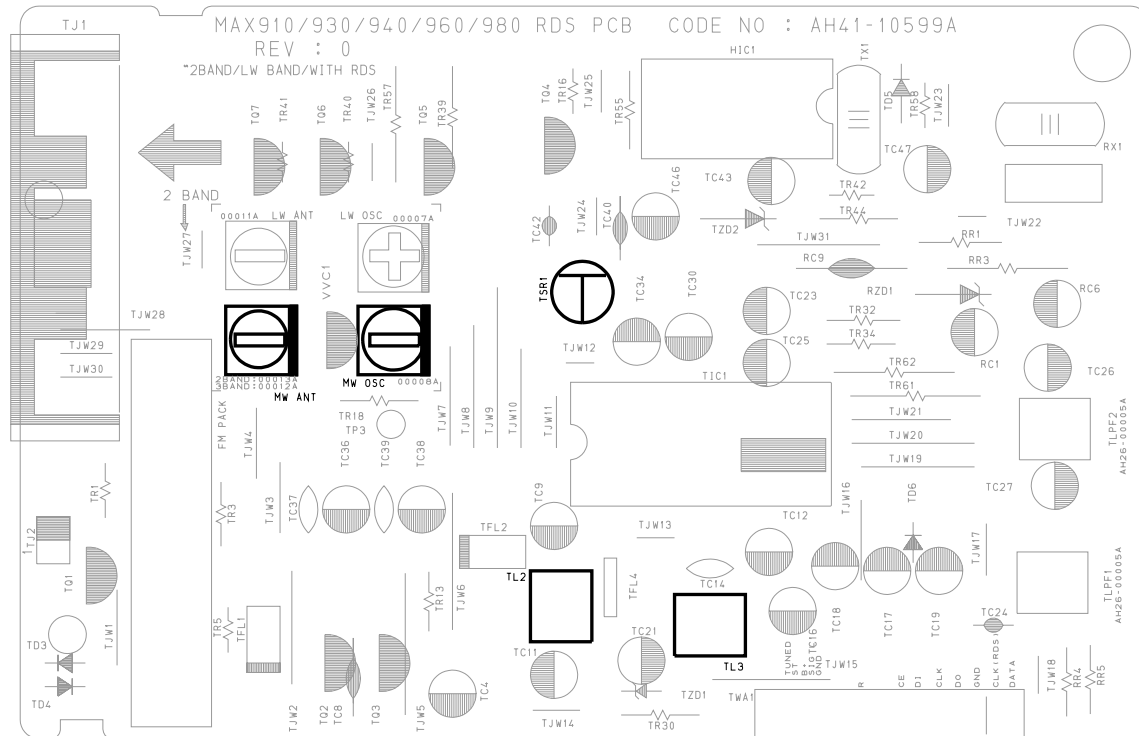


Fig1-1. Adjustment location of Tuner Part

| FM Search Level Adjustment                                 |                                  |
|--|----------------------------------|
| SSG FREQ.  | 98 MHz                           |
| Adjustment point (TSR1)                                    | BEACON SENSITIVITY SEMI-VR(10KΩ) |
| Output   | 1kHz 28dB                        |
| Adjust IVR1 so that "TUNED" of FLT is lighted (Figure 1-3) |                                  |
| 4Gain : 20dB(CE standard)                                  |                                  |

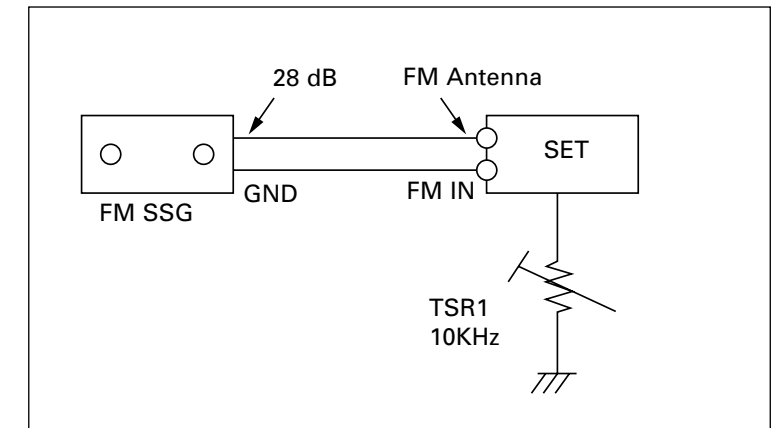


Figure1-3 FM Auto Search Level Adjustment

| AM(MW) I.F Adjustment       |             |
|-----------------------------|-------------|
| SSG FREQ.                   | 450 kHz     |
| Frequency                   | 522 kHz     |
| Adjustment point (TL2)      | AM I.F COIL |
| Maximum output (Figure 1-4) |             |

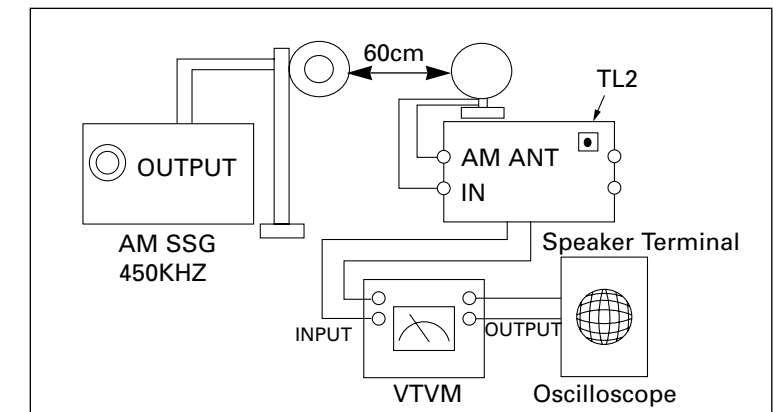


Figure1-4 AM I.F Adjustment

\* When adjusting T.H.D., readjust I/F coil on the Tuner Pack.

| FM THD Adjustment                            |                  |
|--|------------------|
| SSG FREQ.                                    | 98 MHz           |
| Adjustment point (TL3)                       | FM DETECTOR COIL |
| Output                                       | 60 dB            |
| Minimum Distortion (0.3% below) (Figure 1-2) |                  |

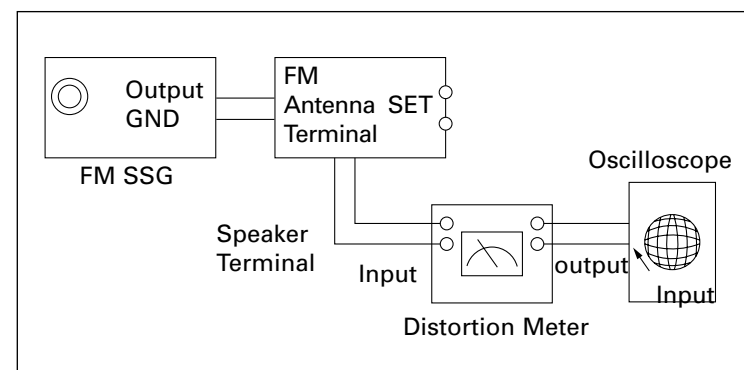


Figure1-2 IF CENTER and THD Adjustment

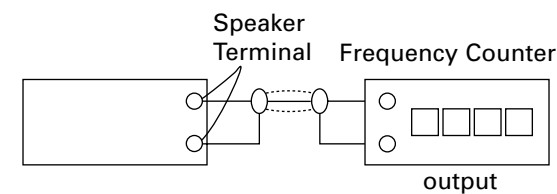


Figure 1-5

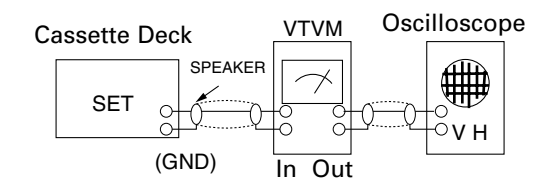


Figure 1-6

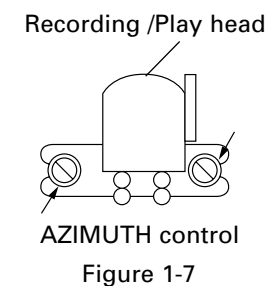


Figure 1-7

**1-2-1 To Adjust Tape Speed**

Notes  
 \* Measuring tape: i) MTT-111 (or equivalent)  
 (Tapes recorded with 3kHz)  
 ii) MTT-5512 (or equivalent)

**- Adjust SPEED Control**

| Step | Item             | Tape            | Pre-Setup   | Adjust Point  | Standard  | Figure   | Remark            |
|------|------------------|-----------------|---|---------------|-----------|----------|-------------------|
| 1    | SPEED Control    | MTT-111N (3KHZ) | Press play button after putting tape into the Deck1 | UVR1(COMMON)  | 3 kHz ±1% | Fig. 1-5 | Front PCB         |
| 2    | HI SPEED Control | MTT-111 (3KHZ)  |   | No Adjustment | -         | Fig. 1-5 | 5200~6600Hz Check |

**- Adjust Record Frequency**

| Step | Item             | Tape            | Pre-Setup                                  | Adjust Point | Frequency Range    | Figure   | Remark                |
|------|------------------|-----------------|--|--------------|--------------------|----------|-----------------------|
| 1    | L,R Unbalance    | MTT-112B (1KHZ) |  | DVR4         | ±0.5dB             | Fig. 1-6 | SPEAKER VTVM (A-DECK) |
| 2    | Record Frequency | MTT-5512        | Press Rec button after connecting (Fig1-6) | DL4          | 85KHZ±1KHZ(COMMON) | Fig. 1-6 | DCW4                  |

**- Adjust Azimuth**

| Step | Item    | Tape      | Pre-Setup | Adjust Point             | Standard | Figure   | Remark         |
|------|---------|-----------|-----------|--------------------------|----------|----------|----------------|
| 1    | Azimuth | MTT-113CN |           | Adjustment screw of HEAD | 8KHZ     | Fig. 1-7 | Output:Maximum |

**- Adjust Rec Bias Voltage**

| Step | Item             | Tape            | Pre-Setup | Adjust Point | Voltage Range | Remark                         |
|------|------------------|-----------------|-----------|--------------|---------------|--------------------------------|
| 1    | Rec Bias Voltage | MTT-5512 (3KHZ) |           | DVR1<br>DVR2 | 7V±0.5V       | Connect to DCW4 from AC Meter. |

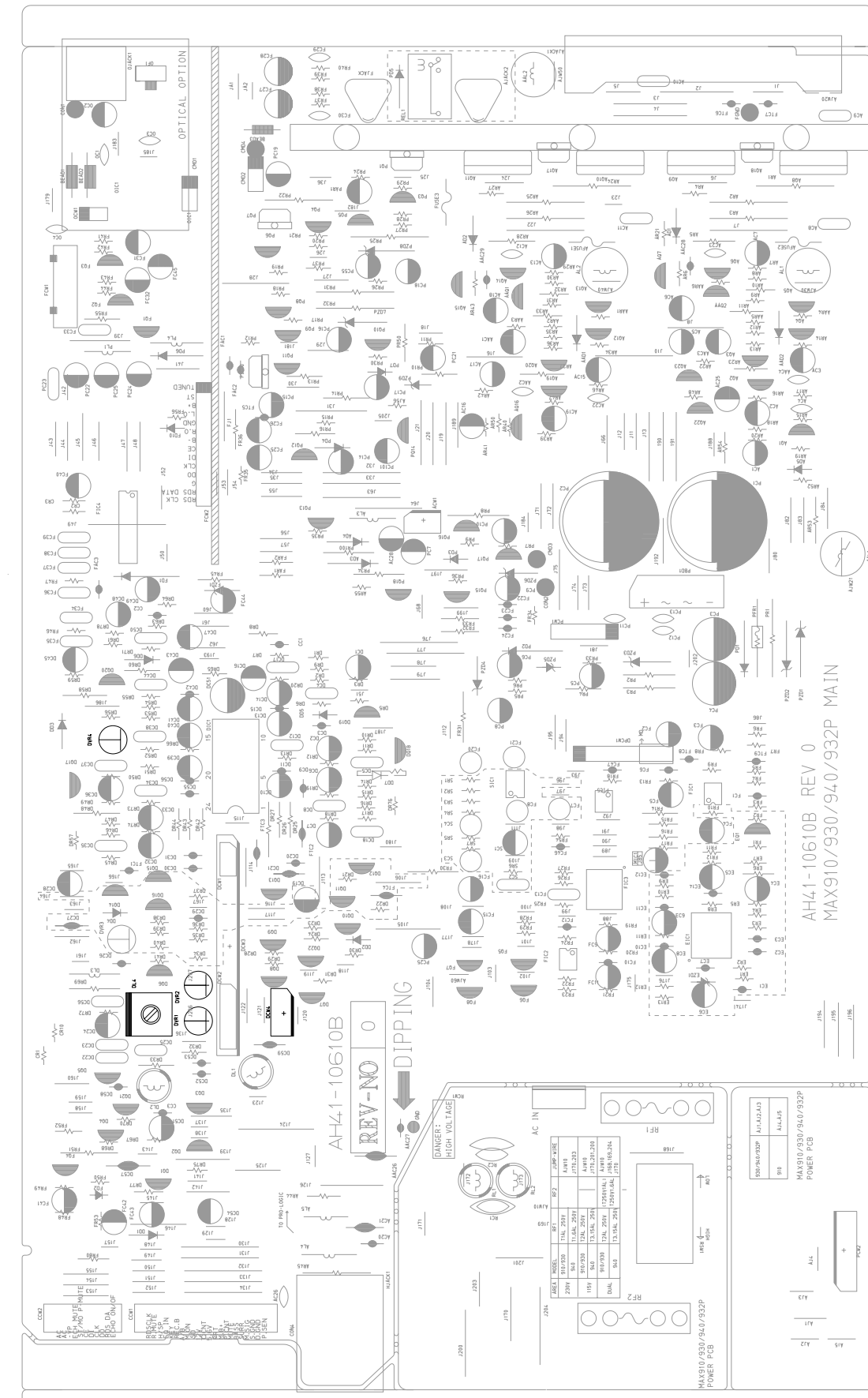
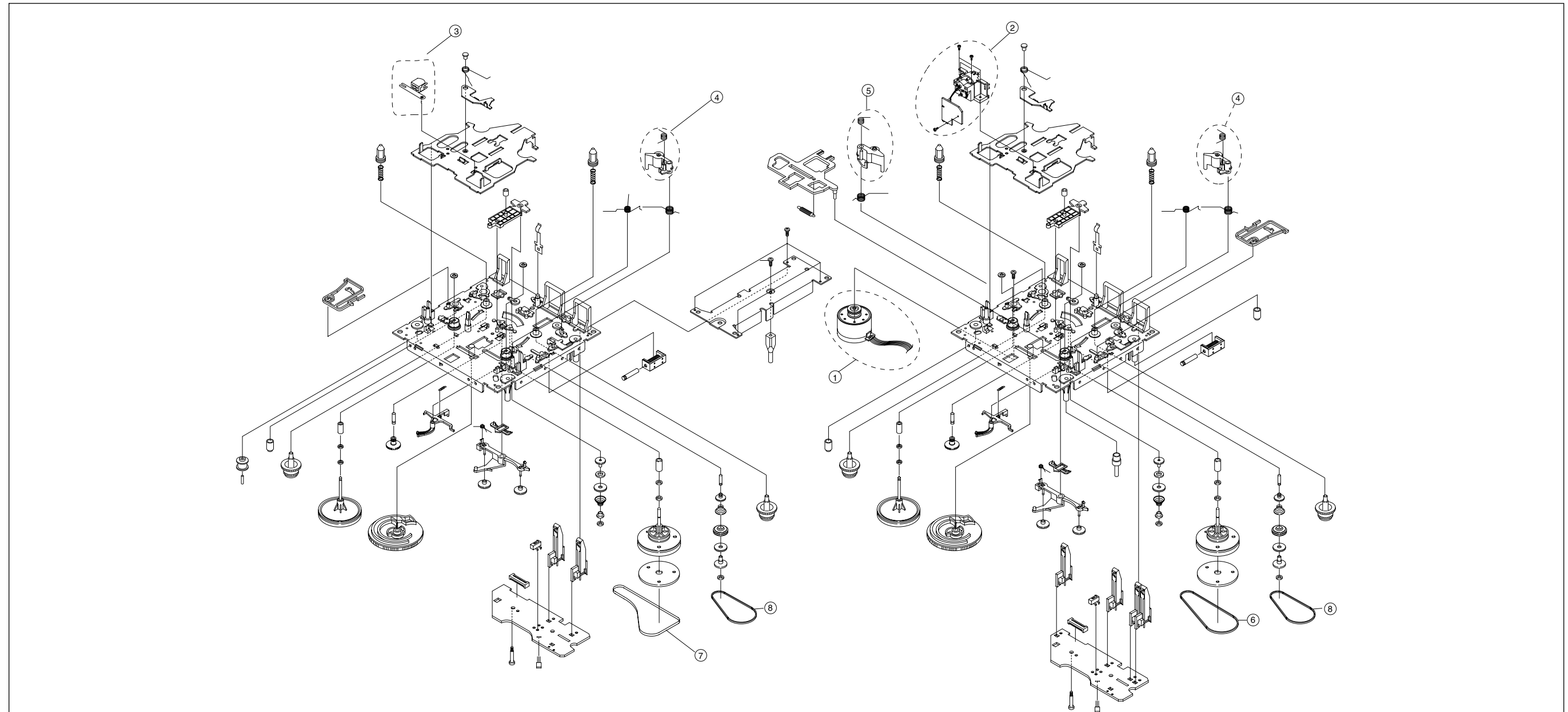


Fig1-8. Adjustment location of Deck Part

## 2.Exploded Views and Parts List

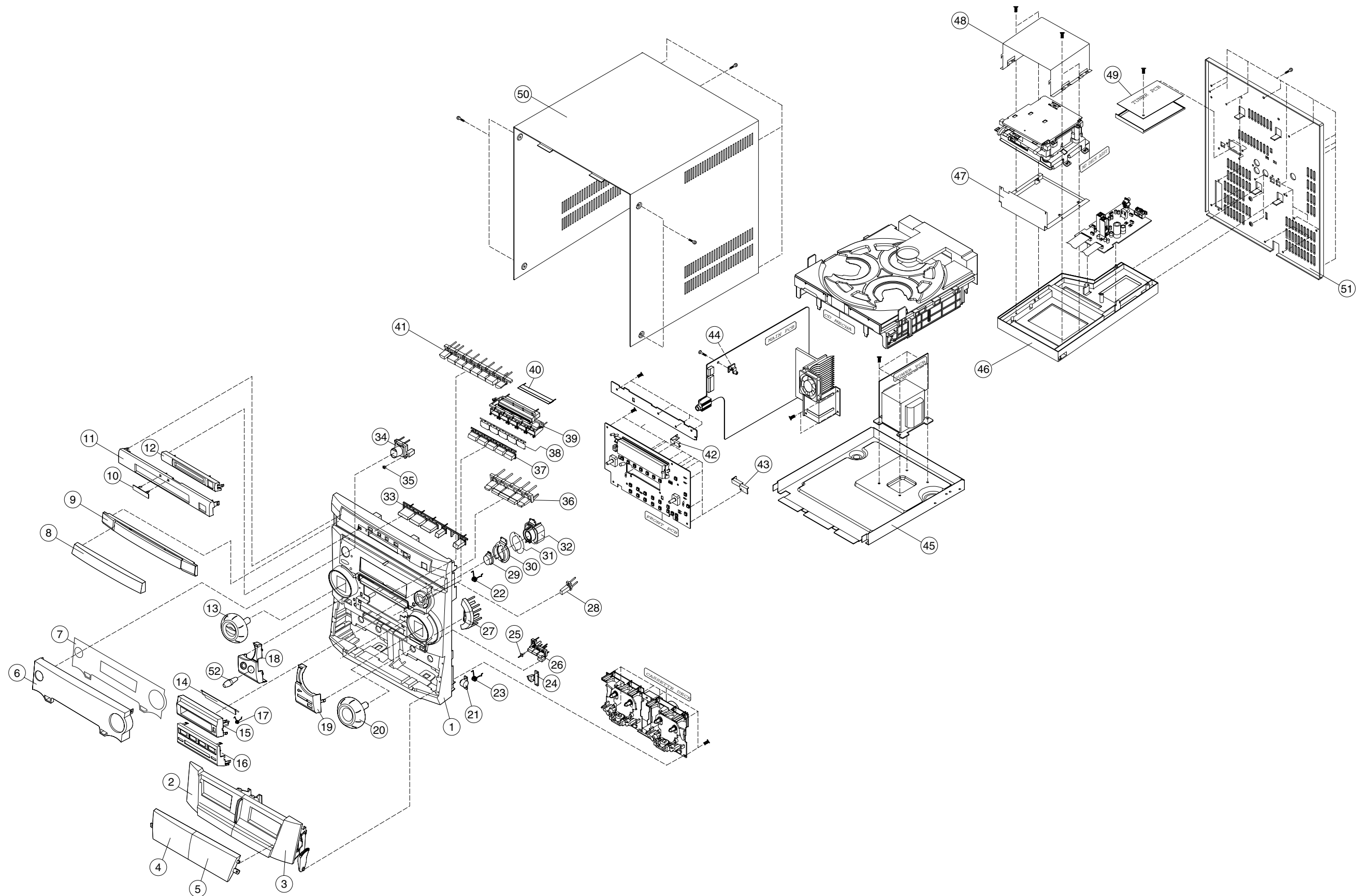
### 2-1 Cassette Deck



| No. | Code No.    | Description     | Specification | Remarks     |
|-----|-------------|-----------------|---------------|-------------|
|     | AH59-20006B | DECK-CASSETTE   | ADR2113MW3    |             |
| 1   | AH81-11052G | MOTOR ASS'Y     | EG530YD2BH    | 3101-000174 |
| 2   | AH81-10798Y | HEAD ASS'Y(R/P) | YK56RAA4N3    | MT91-11011P |
| 3   | AH81-10022E | HEAD ASS'Y(P/B) | MS15RAA2N1    | MT59-00033A |
| 4   | AH81-10798K | PINCH ARM(F)    | ADR2100-06    | MT90-21010J |
| 5   | AH81-10798M | PINCH ARM(R)    | ADR2100-07    | MT90-21010K |
| 6   | AH81-10798Q | MAIN BELT(R/P)  | ADR2113MW-02  | 6602-001038 |
| 7   | AH81-10798T | MAIN BELT(P/B)  | ADR2113MW-03  | 6602-001050 |
| 8   | AH81-10798U | SUB BELT        | ADR2100-09    | 6602-000131 |

## 2-2 Total Exploded View and Parts List

### 2-2-1 Total Exploded

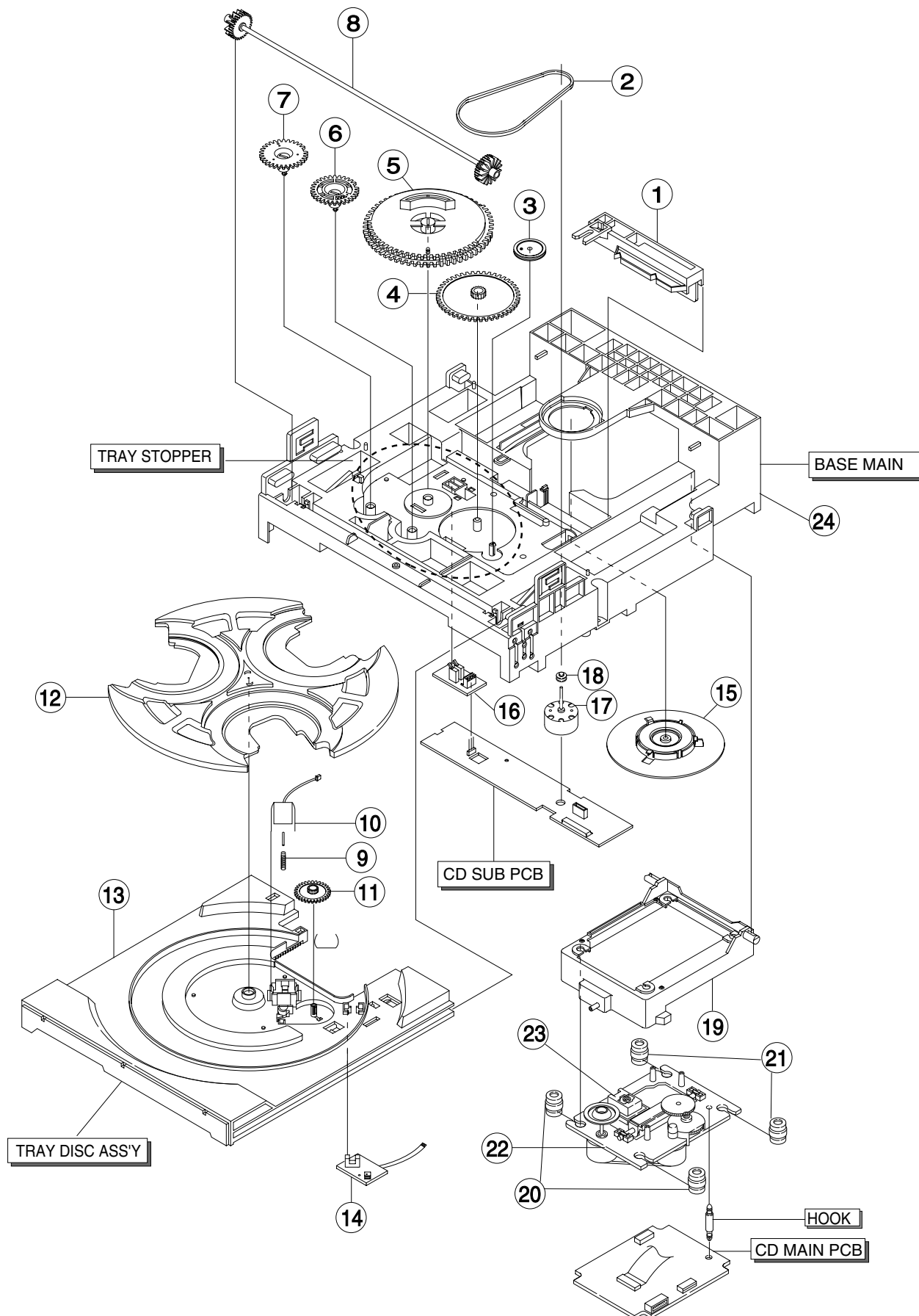


**2-2-2 Parts List of Total Exploded view**

| No. | Code No.     | Description    | Specification      | Remarks            |
|-----|--------------|----------------|--------------------|--------------------|
| 1   | AH64-00204B  | CABINET-FRONT  | MIPS L/GRAY(G6236) | BASIC              |
| 2   | AH64-00205B  | DOOR-CASS.A    | ABS L/GRAY(G6236)  | BASIC              |
| 3   | AH64-00206B  | DOOR-CASS.B    | ABS L/GRAY(G6236)  | HIGH SPEED DUBBING |
|     | AH64-00206C  | "              | "                  | AUO REVERSE        |
| 4   | AH64-00212A  | WINDOW-DOOR,A  | PMMA 850-83239     |                    |
| 5   | AH64-00213A  | WINDOW-DOOR,B  | PMMA 850-83239     |                    |
| 6   | AH64-00211B  | WINDOW-VFD     | PMMA 850-41802     |                    |
|     | AH64-00211E  | "              | "                  | RDS                |
| 7   | AH67-00019A  | FILTER-VFD     | PC 0.3T BLK        |                    |
| 8   | AH64-00210B  | WINDO-DOOR.CD  | PMMA 850-71129     | MAX-934MD          |
| 9   | AH64-00207B  | DOOR-CD        | ABS L/GRAY(G6236)  |                    |
| 10  | AH64-70003H  | BADGE-BRAND    | ABS BLK(H/STAMP)   | SAMSUNG            |
| 11  | AH64-00209B  | WINDOW-CD      | PMMA 850-71129     |                    |
|     | AH64-00209D  | "              | "                  | RDS                |
| 12  | AH61-00140B  | CAP-CD         | ABS L/GRAY (G6236) |                    |
| 13  | AH64-00222B  | KNOB-JOG       | ABS L/GRAY(G6236)  |                    |
| 14  | AH64-00208B  | DOOR-MD        | ABS L/GRAY(G6236)  |                    |
| 15  | AH61-00135B  | CAP-UPPER,MD   | ABS L/GRAY (G6236) |                    |
| 16  | AH61-00136B  | CAP-DOWN,MD    | ABS L/GRAY (G6236) |                    |
| 17  | AH61-00143A  | SPRING-MD      | STS *0.8           |                    |
| 18  | AH61-00137B  | CAP-MIC,E      | ABS D/GRAY (G3174) |                    |
|     | AH61-00138B  | CAP-MIC,D      | ABS D/GRAY (G3174) |                    |
| 19  | AH61-00139B  | CAP-REC        | ABS D/GRAY (G3174) |                    |
| 20  | AH64-00221B  | KNOB-VOLUME    | ABS L/GRAY(G6236)  |                    |
| 21  | AH61-80030A  | DAMPER-ASSY    | POM                |                    |
| 22  | AH61-62004A  | SPRING-EJECT,A | STS *1.1           |                    |
| 23  | AH61-62005A  | SPRING-EJECT,B | STS *1.1           |                    |
| 24  | AH95-500011A | LATCH-ASSY     | POM                |                    |
| 25  | AH67-00014A  | LENS-REC       | PMMA MILKY         |                    |
| 26  | AH64-00218A  | KNOB-REC       | ABS D/GRAY(G3174)  |                    |
| 27  | AH64-00219B  | KNOB-EQ        | ABS L/GRAY(G6236)  |                    |
| 28  | AH64-00216B  | KNOB-EJECT     | ABS L/GRAY(G6236)  |                    |
| 29  | AH67-00012B  | LENS-P.SOUND   | PMMA CLEAR         |                    |
| 30  | AH67-00013A  | LENS-HUMAN     | PMMA CLEAR         |                    |
| 31  | AH67-00018A  | FILTER-HUMAN   | KIMO 100 0.15T     |                    |
| 32  | AH61-00146A  | HOLDER-HUMAN   | ABS WHT + PC       |                    |
| 33  | AH64-00220B  | KNOB-CD,OPEN   | ABS D/GRAY(G3174)  |                    |
| 34  | AH64-00214B  | KNOB-POWER     | ABS L/GRAY(G6236)  |                    |
| 35  | AH67-00015A  | LENS-POWER     | PMMA MILKY         |                    |
| 36  | AH64-00217B  | KNOB-PRESET    | ABS L/GRAY(G6236)  |                    |
| 37  | AH67-00010B  | LENS-FUNC,MD   | PMMA CLEAR         |                    |
| 38  | AH67-00017A  | FILTER-FUNC,MD | KIMO 100 0.15T     |                    |
| 39  | AH61-00147A  | HOLDER-FUNC,MD | ABS WHT + PC       |                    |
| 40  | AH67-00021A  | LENS-COM,MD    | PMMA MILKY         |                    |
| 41  | AH64-00215B  | KNOB-EDIT      | ABS L/GRAY(G6236)  |                    |
| 42  | AH61-00169A  | BRKT-MD,L      | SECC 1.0T          |                    |
| 43  | AH61-00167A  | BRKT-MD,R      | SECC 1.0T          |                    |
| 44  | AH61-00021A  | SUPPORT-PCB    | ABS 94HB BLK       |                    |
| 45  | AH64-30416A  | CABINET-BOTTOM | SECC 1.0T          | ALL COMMON         |

| No. | Code No.    | Description     | Specification     | Remarks         |
|-----|-------------|-----------------|-------------------|-----------------|
| 46  | AH61-00144A | CHASSIS-MD      | MIPS BLK          |                 |
| 47  | AH63-00053A | COVER-BOTTOM,MD | SECC 0.8T         |                 |
| 48  | AH63-00052A | COVER-TOP,MD    | SECC 0.6T         |                 |
| 49  | AH61-20540A | HOLDER-TUNER    | ABS 94HB BLK      |                 |
| 50  | AH64-30390C | CABINET-TOP     | PCM 0.625T SILVER | COMMON          |
| 51  | AH64-00227G | CABINET-REAR    | SECC 0.8T         | 1 VOL + MD      |
|     | AH64-00227H | "               | "                 | 1 VOL + MD + SW |
|     | AH64-00227J | "               | "                 | 2 VOL + MD      |
|     | AH64-00227K | "               | "                 | 2 VOL + MD + SW |
| 52  | AH64-00223A | KNOB-MIC        | ABS D/GRAY(G3174) | OPTION          |

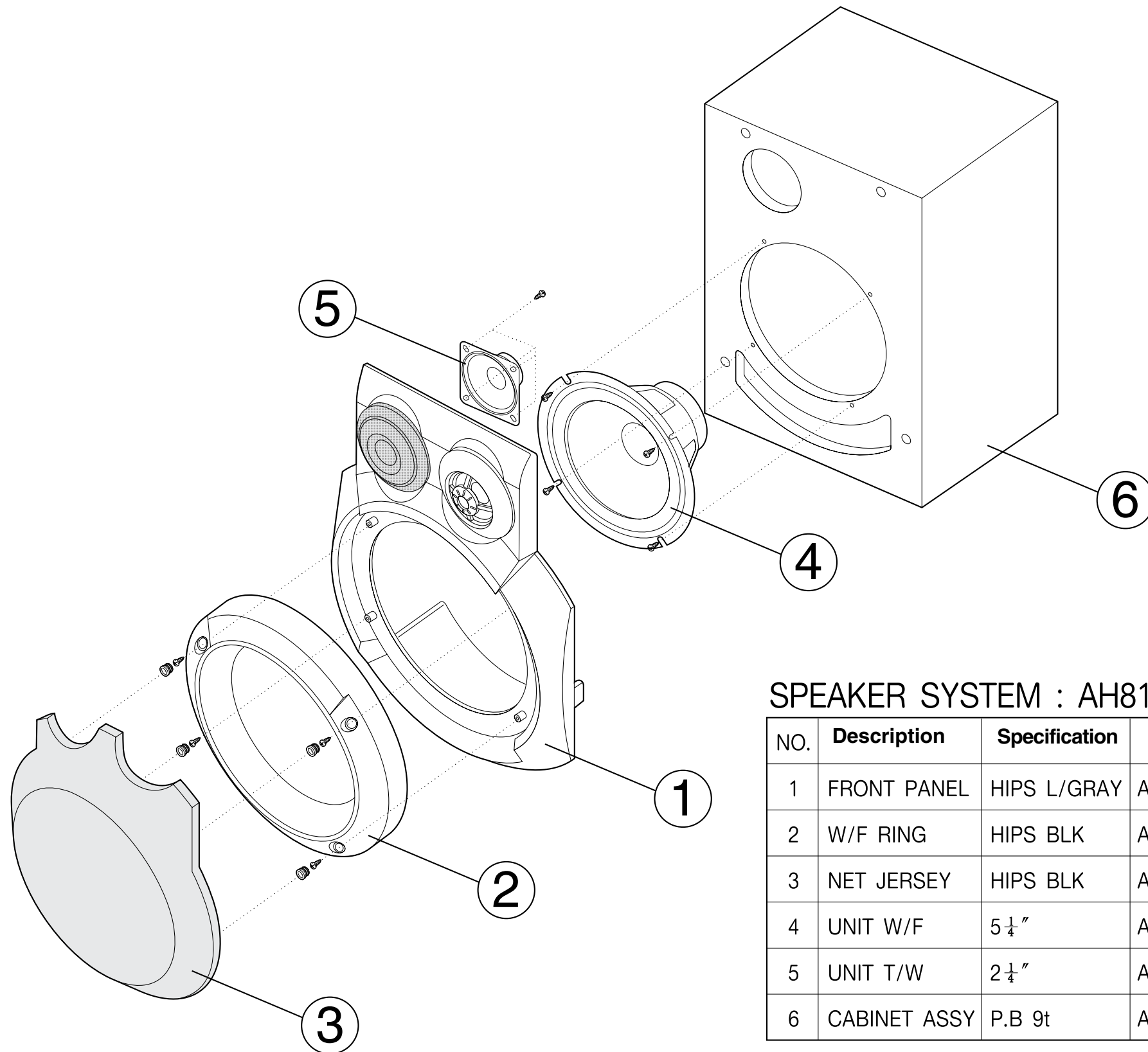
## 2-3 CD Deck Exploded View and Parts list



| No. | Code No.    | Description      | Specification           | Remarks               |
|-----|-------------|------------------|-------------------------|-----------------------|
|     | AJ59-20150T | ASS'Y-DECK       | CMS-300                 |                       |
| 1   | AH66-80022A | SLIDER-CAM       | ABS HF-380 NTR          |                       |
| 2   | AH66-60034A | BELT-LOAD        | CR                      |                       |
| 3   | AH66-20186A | GEAR-PULLEY      | POM (M90-44) WHT        |                       |
| 4   | AH66-20187A | GEAR-LOAD        | POM (M90-44) BLK        |                       |
| 5   | AH66-20188A | GEAR-CAM         | POM (M90-44) WHT        |                       |
| 6   | AH66-20189A | GEAR-TRAY        | POM (M90-44) BLK        |                       |
| 7   | AH66-20190A | GEAR-CONVERT     | POM (M90-44) WHT        |                       |
| 8   | AH66-20191A | GEAR-SYNCRO      | ABS HF-380 NTR          |                       |
| 9   | AH66-20192A | GEAR-WORM        | POM(M90-44),M0.5,PCD4.5 |                       |
| 10  | AH31-12001A | MOTOR-LOADING    | FF-030PN-09120          |                       |
| 11  | AH66-20193A | GEAR-ROULLETE    | POM(M90-44) BLK         |                       |
| 12  | AH66-90056A | TRAY-ROULLETE    | ABS XR-401 BLK          |                       |
| 13  | AH66-90055A | TRAY-DISC        | ABS BLK                 |                       |
| 14  | AH59-10099A | ASSY-PCB SENSOR  | CMS-300,ASSY SENSOR     |                       |
| 15  | AH59-10100A | ASSY-TABLE CHUCK | CMS-300,ASSY CHUCK      |                       |
| 16  | AH59-10102A | ASSY-PCB SW      | CMS-300,ASSY SW         |                       |
| 17  | AH31-10021A | MOTOR-DC         | RF-500TB,9VDC/130MA     |                       |
| 18  | AH66-10008A | PULLEY-MOTOR     | POM,BLK,CMS-CR3         |                       |
| 19  | AH66-30098A | LEVER-LIFTER     | ABS BLK CMS-300         |                       |
| 20  | AH73-10034A | RUBBER-CD(G)     | SI,CMS-300,40,GREEN     |                       |
| 21  | AH73-10035A | RUBBER-CD(R)     | SI,CMS-300,40,RED       |                       |
| 22  | AH91-60150A | CDP DECK ASSY    | CMS-D50SG6,CMS-300D     |                       |
| 23  | AH30-00003A | PICK-UP          | SOH-AA,D51SG6(W/D/CO)   |                       |
| 24  | AH61-20428A | BASE-MAIN        | ABS,BLK,CMS-300         | Only MINI,DVD(OPTION) |
|     | AH61-20428B | BASE-MAIN        | ABS,BLK,DCR32           | Only VIDEO-CD(OPTION) |



## 2-4 SPEAKER Exploded View and Parts list



### SPEAKER SYSTEM : AH81~00105A

| NO. | Description  | Specification | CODE-NO.    | Q'TY |
|-----|--------------|---------------|-------------|------|
| 1   | FRONT PANEL  | HIPS L/GRAY   | AH81-00028U | 1    |
| 2   | W/F RING     | HIPS BLK      | AH81-00024B | 1    |
| 3   | NET JERSEY   | HIPS BLK      | AH81-00026B | 1    |
| 4   | UNIT W/F     | 5¼"           | AH81-00104B | 1    |
| 5   | UNIT T/W     | 2¼"           | AH81-00104C | 1    |
| 6   | CABINET ASSY | P.B 9t        | AH81-00028X | 1    |

\* CAUTION : It is used the bonding, connet NET FRAME to CABINET ASS'Y.  
So when the disassembly, take extreme care not to damage the SPEAKER.

# 3. Electrical Parts List

\*S.N.A. : Service Not Available

Location no. Code no. Description & Specification Remarks

## \*\*\*\* MAX-934MD Parts List \*\*\*\*

|             |   |
|-------------|---|
| AH26-00041A | TRANS-POWER;ELI;.....;MAX934MD              |
| AH39-10002L | POWER CORD;CP2,KLCE-2F2,15M,5239,VDE        |
| AH42-20001Q | ANT-LOOP;K;KS980214-01,18.5uH,CONNECTOR     |
| AH59-10122K | REMOCON-ASSY;.....;58KEY/MAX934-            |
| AH59-20006B | DECK-CASSETTE;ADR2113MW,MAX950,DC12V,DOUBLE |
| AH81-10022E | A/S;R/P HEAD,MS15R-AA2N1                    |
| AH81-10798K | A/S-PINCH ARM(F);ADR2100-06                 |
| AH81-10798M | A/S-PINCH ARM(R);ADR2100-07                 |
| AH81-10798Q | A/S-MAIN BELT(R/P);ADR2113MW-02             |
| AH81-10798T | A/S-MAIN BELT(P/B);ADR2113MW-03             |
| AH81-10798U | A/S-SUB BELT;ADR2100-09                     |
| AH81-10798Y | A/S-HEAD ASS'Y(R/P);YK56RAA4N3              |
| AH81-11052G | A/S-MOTOR ASS'Y;EG530YD2BH,-                |

## AH90-10751H ASSY-PCB;U-210C/SMI,MOTHER S.N.A.

|       |               |  |        |
|-------|---------------|--|--------|
| TFL4  | 14529-304-610 | FILTER CERAMIC;AHCMI2-450BL                      | S.N.A. |
| TX1   | 2801-000734   | CRYSTAL-UNIT;7.2MHZ,50PPM,28-AAM,12PF,300HM      |        |
| FL2   | 2903-000105   | FILTER-CERAMIC;BP,10.7MHZ+-25KHZ,180KHZ+-50KHZ   |        |
| TWA1  | 3710-001421   | CONNECTOR-SOCKET;14P,1R,2mm,ANGLE,SN             |        |
| TJ2   | 3711-000814   | CONNECTOR-HEADER;BOX,2P,1R,2.5mm,ANGLE,SN        |        |
|       | 6003-000283   | SCREW-TAPTITE;BH,+,B,M3,L8,ZPC(YEL),SWCH16A      |        |
| HIC1  | AH14-10007G   | IC;LC72131,DIP,STICK,PLL                         |        |
| TIC1  | AH14-10008B   | IC;LA1837,DIP,RF-MPX                             |        |
| TLPF1 | AH26-00005A   | TRANS-IF;-LKS75M00-X000264-0,LOW PASS FILTER,-,7 |        |
| TLPF2 | AH26-00005A   | TRANS-IF;-LKS75M00-X000264-0,LOW PASS FILTER,-,7 |        |
| TL2   | AH26-10001E   | TRANS-IF;KS940228-09-...;7.6X12.0,-,450KHZ,BULK, |        |
| TL3   | AH26-10020A   | TRANS-DET;-7KLL,DET,-,7.8MM,91PF,11.32M          |        |
| FREE  | AH61-20540A   | HOLDER-TUNER;-ABS,94HB,BLK,-,MAX940              |        |
| TC39  | AH61-40022A   | STUD-TAP;SPC1,T0.5,BT2,-,-                       |        |

## AH93-10015R ASSY-MANU-TUNER;MAX980,OIRT MANU S.N.A.

|          |             |   |        |
|----------|-------------|---|--------|
| RZD1     | 0403-000393 | DIODE-ZENER;UZPS,1B,5.1V,4.8-5.4V,1W,DO-41      | S.N.A. |
| RR1(OPT) | 2001-000118 | R-CARBON(S);180ohm,5%,1/2W,AA,TP,2.4x6.4mm      |        |
| RR3      | 2001-000429 | R-CARBON;1KOHM,5%,1/8W,AA,TP,1.8X3.2MM          |        |
| RR4      | 2001-000429 | R-CARBON;1KOHM,5%,1/8W,AA,TP,1.8X3.2MM          |        |
| RR5      | 2001-000429 | R-CARBON;1KOHM,5%,1/8W,AA,TP,1.8X3.2MM          |        |
| RR2      | 2007-000290 | R-CHIP;100OHM,5%,1/10W,DA,TP,2012               |        |
| RC9      | 2202-000796 | C-CERAMIC,MLC-AXIAL;1nF,10%,50V,Y5P,TP,3.5x19,- |        |
| RC2      | 2203-000260 | C-CERAMIC,CHIP;10nF,10%,50V,X7R,TP,2012         |        |
| RC7      | 2203-000979 | C-CERAMIC,CHIP;47nF,10%,50V,X7R,TP,2012         |        |
| RC8      | 2203-001058 | C-CERAMIC,CHIP;0.56nF,5%,50V,NP0,TP,2012        |        |
| RC4      | 2203-001524 | C-CERAMIC,CHIP;0.047nF,5%,50V,NP0,TP,2012       |        |
| RC5      | 2203-001524 | C-CERAMIC,CHIP;0.047nF,5%,50V,NP0,TP,2012       |        |
| RC1      | 2401-000907 | C-AL;22UF,20%,16V,GP,-,5X11,2MM                 |        |
| RC6      | 2401-002180 | C-AL;2.2UF,20%,50V,GP,TP,5X11,5MM               |        |
| RIC1     | AH14-10008E | IC;BU1923F,SOP,-5V                              |        |

## AH93-20008H ASSY-TUNER-CHIP;MAX934RH/AMF,NO A/S S.N.A.

|        |             |                                    |  |
|--------|-------------|------------------------------------|--|
| TJW100 | 2007-000029 | R-CHIP;0OHM,5%,1/10W,DA,TP,2012    |  |
| TJW21  | 2007-000029 | R-CHIP;0OHM,5%,1/10W,DA,TP,2012    |  |
| TJW41  | 2007-000029 | R-CHIP;0OHM,5%,1/10W,DA,TP,2012    |  |
| TJW42  | 2007-000029 | R-CHIP;0OHM,5%,1/10W,DA,TP,2012    |  |
| TR6    | 2007-000030 | R-CHIP;560OHM,5%,1/10W,DA,TP,2012  |  |
| TR101  | 2007-000033 | R-CHIP;0OHM,5%,1/8W,DA,TP,3216     |  |
| TR102  | 2007-000033 | R-CHIP;0OHM,5%,1/8W,DA,TP,3216     |  |
| TR103  | 2007-000033 | R-CHIP;0OHM,5%,1/8W,DA,TP,3216     |  |
| TR104  | 2007-000033 | R-CHIP;0OHM,5%,1/8W,DA,TP,3216     |  |
| TR19   | 2007-000282 | R-CHIP;100KOHM,5%,1/10W,DA,TP,2012 |  |
| TR45   | 2007-000282 | R-CHIP;100KOHM,5%,1/10W,DA,TP,2012 |  |
| TR47   | 2007-000282 | R-CHIP;100KOHM,5%,1/10W,DA,TP,2012 |  |
| TR49   | 2007-000282 | R-CHIP;100KOHM,5%,1/10W,DA,TP,2012 |  |
| RP2    | 2007-000290 | R-CHIP;100OHM,5%,1/10W,DA,TP,2012  |  |
| TR24   | 2007-000290 | R-CHIP;100OHM,5%,1/10W,DA,TP,2012  |  |
| TR43   | 2007-000290 | R-CHIP;100OHM,5%,1/10W,DA,TP,2012  |  |
| TR2    | 2007-000300 | R-CHIP;10KOHM,5%,1/10W,DA,TP,2012  |  |
| TR21   | 2007-000300 | R-CHIP;10KOHM,5%,1/10W,DA,TP,2012  |  |
| TR22   | 2007-000300 | R-CHIP;10KOHM,5%,1/10W,DA,TP,2012  |  |
| TR46   | 2007-000300 | R-CHIP;10KOHM,5%,1/10W,DA,TP,2012  |  |
| TR48   | 2007-000300 | R-CHIP;10KOHM,5%,1/10W,DA,TP,2012  |  |
| TR50   | 2007-000300 | R-CHIP;10KOHM,5%,1/10W,DA,TP,2012  |  |
| TR53   | 2007-000300 | R-CHIP;10KOHM,5%,1/10W,DA,TP,2012  |  |
| TR54   | 2007-000300 | R-CHIP;10KOHM,5%,1/10W,DA,TP,2012  |  |
| TR56   | 2007-000300 | R-CHIP;10KOHM,5%,1/10W,DA,TP,2012  |  |
| TR10   | 2007-000308 | R-CHIP;10OHM,5%,1/10W,DA,TP,2012   |  |
| TR20   | 2007-000409 | R-CHIP;15KOHM,5%,1/10W,DA,TP,2012  |  |
| TR28   | 2007-000457 | R-CHIP;18KOHM,5%,1/10W,DA,TP,2012  |  |
| TR52   | 2007-000468 | R-CHIP;1KOHM,5%,1/10W,DA,TP,2012   |  |
| TR9    | 2007-000468 | R-CHIP;1KOHM,5%,1/10W,DA,TP,2012   |  |
| TR35   | 2007-000493 | R-CHIP;2.2KOHM,5%,1/10W,DA,TP,2012 |  |
| TR36   | 2007-000493 | R-CHIP;2.2KOHM,5%,1/10W,DA,TP,2012 |  |
| TR40   | 2007-000493 | R-CHIP;2.2KOHM,5%,1/10W,DA,TP,2012 |  |
| TR7    | 2007-000518 | R-CHIP;2.7KOHM,5%,1/10W,DA,TP,2012 |  |
| TR11   | 2007-000572 | R-CHIP;220OHM,5%,1/10W,DA,TP,2012  |  |
| TR105  | 2007-000586 | R-CHIP;22KOHM,5%,1/10W,DA,TP,2012  |  |

Location no. Code no. Description & Specification Remarks

|      |             |  |  |
|------|-------------|--|--|
| TR15 | 2007-000586 | R-CHIP;22KOHM,5%,1/10W,DA,TP,2012                  |  |
| TR37 | 2007-000586 | R-CHIP;22KOHM,5%,1/10W,DA,TP,2012                  |  |
| TR12 | 2007-000686 | R-CHIP;3.3KOHM,5%,1/10W,DA,TP,2012                 |  |
| TR29 | 2007-000686 | R-CHIP;3.3KOHM,5%,1/10W,DA,TP,2012                 |  |
| TR23 | 2007-000710 | R-CHIP;3.9KOHM,5%,1/10W,DA,TP,2012                 |  |
| TR8  | 2007-000822 | R-CHIP;390OHM,5%,1/10W,DA,TP,2012                  |  |
| TR4  | 2007-000872 | R-CHIP;4.7KOHM,5%,1/10W,DA,TP,2012                 |  |
| TR51 | 2007-000872 | R-CHIP;4.7KOHM,5%,1/10W,DA,TP,2012                 |  |
| TR17 | 2007-000981 | R-CHIP;5.6KOHM,5%,1/10W,DA,TP,2012                 |  |
| TR25 | 2007-001043 | R-CHIP;560OHM,5%,1/10W,DA,TP,2012                  |  |
| TR27 | 2007-001071 | R-CHIP;6.8KOHM,5%,1/10W,DA,TP,2012                 |  |
| TR38 | 2007-001177 | R-CHIP;8.2KOHM,5%,1/10W,DA,TP,2012                 |  |
| TR44 | 2007-001177 | R-CHIP;8.2KOHM,5%,1/10W,DA,TP,2012                 |  |
| TC48 | 2202-000807 | C-CERAMIC,MLC-AXIAL;22NF,+80-20%,25V,Y5V,TP,3.5x19 |  |
| TC41 | 2203-000239 | C-CERAMIC,CHIP;0.1nF,5%,50V,NP0,TP,2012            |  |
| RC2  | 2203-000260 | C-CERAMIC,CHIP;10nF,10%,50V,X7R,TP,2012            |  |
| TC20 | 2203-000260 | C-CERAMIC,CHIP;10nF,10%,50V,X7R,TP,2012            |  |
| TC28 | 2203-000260 | C-CERAMIC,CHIP;10nF,10%,50V,X7R,TP,2012            |  |
| TC29 | 2203-000260 | C-CERAMIC,CHIP;10nF,10%,50V,X7R,TP,2012            |  |
| TC3  | 2203-000260 | C-CERAMIC,CHIP;10nF,10%,50V,X7R,TP,2012            |  |
| TC44 | 2203-000260 | C-CERAMIC,CHIP;10nF,10%,50V,X7R,TP,2012            |  |
| TC7  | 2203-000429 | C-CERAMIC,CHIP;0.018nF,5%,50V,NP0,TP,2012          |  |
| TC1  | 2203-000609 | C-CERAMIC,CHIP;22nF,10%,50V,X7R,TP,2012            |  |
| TC5  | 2203-000609 | C-CERAMIC,CHIP;22nF,10%,50V,X7R,TP,2012            |  |
| TC99 | 2203-000609 | C-CERAMIC,CHIP;22nF,10%,50V,X7R,TP,2012            |  |
| TC33 | 2203-000844 | C-CERAMIC,CHIP;39nF,10%,50V,X7R,TP,2012,-          |  |
| TC10 | 2203-000979 | C-CERAMIC,CHIP;47nF,10%,50V,X7R,TP,2012            |  |
| TC13 | 2203-000979 | C-CERAMIC,CHIP;47nF,10%,50V,X7R,TP,2012            |  |
| TC15 | 2203-000979 | C-CERAMIC,CHIP;47nF,10%,50V,X7R,TP,2012            |  |
| TC35 | 2203-000979 | C-CERAMIC,CHIP;47nF,10%,50V,X7R,TP,2012            |  |
| TC45 | 2203-000979 | C-CERAMIC,CHIP;47nF,10%,50V,X7R,TP,2012            |  |
| TC6  | 2203-000979 | C-CERAMIC,CHIP;47nF,10%,50V,X7R,TP,2012            |  |
| TC61 | 2203-001105 | C-CERAMIC,CHIP;6.8nF,10%,50V,X7R,TP,2012           |  |
| TC62 | 2203-001105 | C-CERAMIC,CHIP;6.8nF,10%,50V,X7R,TP,2012           |  |
| TC32 | 2203-001132 | C-CERAMIC,CHIP;0.68nF,5%,50V,NP0,TP,2012           |  |
| TC2  | 2203-001517 | C-CERAMIC,CHIP;0.015nF,5%,50V,NP0,TP,2012          |  |
| TC63 | 2203-001551 | C-CERAMIC,CHIP;1.5nF,10%,50V,X7R,TP,2012           |  |
| TC64 | 2203-001551 | C-CERAMIC,CHIP;1.5nF,10%,50V,X7R,TP,2012           |  |
| TC50 | 2203-001611 | C-CERAMIC,CHIP;0.022nF,5%,50V,NP0,TP,2012          |  |
| TC51 | 2203-001611 | C-CERAMIC,CHIP;0.022nF,5%,50V,NP0,TP,2012          |  |

## AH93-30012C ASSY TUNER TAPG;MAX934MD NO A/S S.N.A.

|      |             |  |  |
|------|-------------|--|--|
| TD3  | 0401-000101 | DIODE-SWITCHING;1N4148,100V,200mA,DO-35,TP         |  |
| TD4  | 0401-000101 | DIODE-SWITCHING;1N4148,100V,200mA,DO-35,TP         |  |
| TD5  | 0401-000101 | DIODE-SWITCHING;1N4148,100V,200mA,DO-35,TP         |  |
| TD6  | 0401-000101 | DIODE-SWITCHING;1N4148,100V,200mA,DO-35,TP         |  |
| TZD1 | 0403-000367 | DIODE-ZENER;UZ7.5BSC,7.5V,7.33-7.64V,500mW         |  |
| TZD2 | 0403-000393 | DIODE-ZENER;UZPS,1B,5.1V,4.8-5.4V,1W,DO-41         |  |
| TQ4  | 0501-000294 | TR-SMALL SIGNAL;KSA708-Y,P,NP,800mW,TO-92,TP,12    |  |
| TQ2  | 0501-000392 | TR-SMALL SIGNAL;KSC838-O,NPN,250mW,TO-92,-,70      |  |
| TQ3  | 0501-000392 | TR-SMALL SIGNAL;KSC838-O,NPN,250mW,TO-92,-,70      |  |
| TQ1  | 0501-000398 | TR-SMALL SIGNAL;KSC945,NPN,250mW,TO-92,TP,120      |  |
| TR30 | 2001-000117 | R-CARBON(S);680ohm,5%,1/2W,AA,TP,2.4x6.4mm         |  |
| RR1A | 2001-000118 | R-CARBON(S);180ohm,5%,1/2W,AA,TP,2.4x6.4mm         |  |
| TR44 | 2001-000118 | R-CARBON(S);180ohm,5%,1/2W,AA,TP,2.4x6.4mm         |  |
| TR58 | 2001-000273 | R-CARBON;100KOHM,5%,1/8W,AA,TP,1.8X3.2MM           |  |
| TR5  | 2001-000281 | R-CARBON;100OHM,5%,1/8W,AA,TP,1.8X3.2MM            |  |
| TR39 | 2001-000290 | R-CARBON;10KOHM,5%,1/8W,AA,TP,1.8X3.2MM            |  |
| TR1  | 2001-000331 | R-CARBON;12KOHM,5%,1/8W,AA,TP,1.8X3.2MM            |  |
| TR32 | 2001-000429 | R-CARBON;1KOHM,5%,1/8W,AA,TP,1.8X3.2MM             |  |
| TR34 | 2001-000429 | R-CARBON;1KOHM,5%,1/8W,AA,TP,1.8X3.2MM             |  |
| TR55 | 2001-000429 | R-CARBON;1KOHM,5%,1/8W,AA,TP,1.8X3.2MM             |  |
| TR18 | 2001-000449 | R-CARBON;2.2KOHM,5%,1/8W,AA,TP,1.8X3.2MM           |  |
| TR3  | 2001-000449 | R-CARBON;2.2KOHM,5%,1/8W,AA,TP,1.8X3.2MM           |  |
| TR13 | 2001-000515 | R-CARBON;220OHM,5%,1/8W,AA,TP,1.8X3.2MM            |  |
| TR40 | 2001-000522 | R-CARBON;22KOHM,5%,1/8W,AA,TP,1.8X3.2MM            |  |
| TR61 | 2001-000591 | R-CARBON;3.3KOHM,5%,1/8W,AA,TP,1.8X3.2MM           |  |
| TR62 | 2001-000591 | R-CARBON;3.3KOHM,5%,1/8W,AA,TP,1.8X3.2MM           |  |
| TR42 | 2001-000734 | R-CARBON;4.7KOHM,5%,1/8W,AA,TP,1.8X3.2MM           |  |
| TR16 | 2001-000745 | R-CARBON;4.7OHM,5%,1/8W,AA,TP,1.8X3.2MM            |  |
| TR41 | 2001-000802 | R-CARBON;5.6Kohm,5%,1/8W,AA,TP,1.8x3.2m            |  |
| TR57 | 2001-000802 | R-CARBON;5.6Kohm,5%,1/8W,AA,TP,1.8x3.2m            |  |
| TSR1 | 2103-000290 | VR-SEMI;20Kohm,30%,1/10W,TOP                       |  |
| TC14 | 2201-000565 | C-CERAMIC,DISC;47nF,20%,50V,Y5V,12.5x4.0mm,5mm,TP  |  |
| TC39 | 2201-000565 | C-CERAMIC,DISC;47nF,20%,50V,Y5V,12.5x4.0mm,5mm,TP  |  |
| TC40 | 2202-000796 | C-CERAMIC,MLC-AXIAL;1nF,10%,50V,Y5P,TP,3.5x19,-    |  |
| TC42 | 2202-000796 | C-CERAMIC,MLC-AXIAL;1nF,10%,50V,Y5P,TP,3.5x19,-    |  |
| TC48 | 2202-000807 | C-CERAMIC,MLC-AXIAL;22NF,+80-20%,25V,Y5V,TP,3.5x19 |  |
| TC21 | 2401-000240 | C-AL;100uF,20%,10V,GP,TP,5x11,5                    |  |
| TC46 | 2401-000240 | C-AL;100uF,20%,10V,GP,TP,5x11,5                    |  |
| TC12 | 2401-000419 | C-AL;10uF,20%,16V,GP,-,4X7.5                       |  |
| TC26 | 2401-000419 | C-AL;10uF,20%,16V,GP,-,4X7.5                       |  |
| TC27 | 2401-000419 | C-AL;10uF,20%,16V,GP,-,4X7.5                       |  |
| TC30 | 2401-000419 | C-AL;10uF,20%,16V,GP,-,4X7.5                       |  |
| TC34 | 2401-000907 | C-AL;22uF,20%,16V,GP,-,5X11,2MM                    |  |
| TC37 | 2401-001022 | C-AL;3.3uF,20%,50V,GP,-,5X11,2MM                   |  |
| TC38 | 2401-001164 | C-AL;33uF,20%,16V,GP,-,5X11,2MM                    |  |
| TC47 | 2401-001895 | C-AL;100uF,20%,16V,GP,6.3x11mm,2.5m                |  |
| TC11 | 2401-001912 | C-AL;1uF,20%,50V,GP,5x11mm,2mm,BK                  |  |

| Location no. | Code no.           | Description & Specification                            | Remarks       |
|--------------|--------------------|--|---------------|
| TC17         | 2401-001912        | C-AL:1uF,20%,50V,GP,5x11mm,2mm,BK                      |               |
| TC19         | 2401-001912        | C-AL:1uF,20%,50V,GP,5x11mm,2mm,BK                      |               |
| TC16         | 2401-001954        | C-AL:4.7UF,20%,50V,GPBK,5X11MM,5                       |               |
| TC23         | 2401-001954        | C-AL:4.7UF,20%,50V,GPBK,5X11MM,5                       |               |
| TC25         | 2401-001954        | C-AL:4.7UF,20%,50V,GPBK,5X11MM,5                       |               |
| TC18         | 2401-001968        | C-AL:470NF,20%,50V,GP,TP,5X11MM,5                      |               |
| TC43         | 2401-001968        | C-AL:470NF,20%,50V,GP,TP,5X11MM,5                      |               |
| TC4          | 2401-001975        | C-AL:47UF,20%,16V,GP,TP,5X11MM,5                       |               |
| TC9          | 2401-001975        | C-AL:47UF,20%,16V,GP,TP,5X11MM,5                       |               |
| -            | 3811-000389        | WIRE-NO SHEATH CU:SPCW,300V,52.4MM,1/0.5MM,-,-         |               |
| FREE         | 3811-000389        | WIRE-NO SHEATH CU:SPCW,300V,52.4MM,1/0.5MM,-,-         |               |
| R1           | 3811-000389        | WIRE-NO SHEATH CU:SPCW,300V,52.4MM,1/0.5MM,-,-         |               |
| TJW10        | 3811-000389        | WIRE-NO SHEATH CU:SPCW,300V,52.4MM,1/0.5MM,-,-         |               |
| TJW11        | 3811-000389        | WIRE-NO SHEATH CU:SPCW,300V,52.4MM,1/0.5MM,-,-         |               |
| TJW12        | 3811-000389        | WIRE-NO SHEATH CU:SPCW,300V,52.4MM,1/0.5MM,-,-         |               |
| TJW13        | 3811-000389        | WIRE-NO SHEATH CU:SPCW,300V,52.4MM,1/0.5MM,-,-         |               |
| TJW14        | 3811-000389        | WIRE-NO SHEATH CU:SPCW,300V,52.4MM,1/0.5MM,-,-         |               |
| TJW15        | 3811-000389        | WIRE-NO SHEATH CU:SPCW,300V,52.4MM,1/0.5MM,-,-         |               |
| TJW16        | 3811-000389        | WIRE-NO SHEATH CU:SPCW,300V,52.4MM,1/0.5MM,-,-         |               |
| TJW17        | 3811-000389        | WIRE-NO SHEATH CU:SPCW,300V,52.4MM,1/0.5MM,-,-         |               |
| TJW19        | 3811-000389        | WIRE-NO SHEATH CU:SPCW,300V,52.4MM,1/0.5MM,-,-         |               |
| TJW2         | 3811-000389        | WIRE-NO SHEATH CU:SPCW,300V,52.4MM,1/0.5MM,-,-         |               |
| TJW20        | 3811-000389        | WIRE-NO SHEATH CU:SPCW,300V,52.4MM,1/0.5MM,-,-         |               |
| TJW21        | 3811-000389        | WIRE-NO SHEATH CU:SPCW,300V,52.4MM,1/0.5MM,-,-         |               |
| TJW23        | 3811-000389        | WIRE-NO SHEATH CU:SPCW,300V,52.4MM,1/0.5MM,-,-         |               |
| TJW24        | 3811-000389        | WIRE-NO SHEATH CU:SPCW,300V,52.4MM,1/0.5MM,-,-         |               |
| TJW25        | 3811-000389        | WIRE-NO SHEATH CU:SPCW,300V,52.4MM,1/0.5MM,-,-         |               |
| TJW28        | 3811-000389        | WIRE-NO SHEATH CU:SPCW,300V,52.4MM,1/0.5MM,-,-         |               |
| TJW3         | 3811-000389        | WIRE-NO SHEATH CU:SPCW,300V,52.4MM,1/0.5MM,-,-         |               |
| TJW31        | 3811-000389        | WIRE-NO SHEATH CU:SPCW,300V,52.4MM,1/0.5MM,-,-         |               |
| TJW4         | 3811-000389        | WIRE-NO SHEATH CU:SPCW,300V,52.4MM,1/0.5MM,-,-         |               |
| TJW5         | 3811-000389        | WIRE-NO SHEATH CU:SPCW,300V,52.4MM,1/0.5MM,-,-         |               |
| TJW6         | 3811-000389        | WIRE-NO SHEATH CU:SPCW,300V,52.4MM,1/0.5MM,-,-         |               |
| TJW7         | 3811-000389        | WIRE-NO SHEATH CU:SPCW,300V,52.4MM,1/0.5MM,-,-         |               |
| TJW8         | 3811-000389        | WIRE-NO SHEATH CU:SPCW,300V,52.4MM,1/0.5MM,-,-         |               |
| TJW9         | 3811-000389        | WIRE-NO SHEATH CU:SPCW,300V,52.4MM,1/0.5MM,-,-         |               |
| TJW99        | 3811-000389        | WIRE-NO SHEATH CU:SPCW,300V,52.4MM,1/0.5MM,-,-         |               |
|              | <b>AH94-10015J</b> | <b>ASSY-PCB,FRONT ; LW ; OPTION</b>                    | <b>S.N.A.</b> |
| VVC1         | 0405-000137        | DIODE-VARACTOR:KV-1260,20V,100NA,TO-92S                |               |
| TC6          | 0501-000398        | TR-SMALL SIGNAL:KSC945,NPN,250mW,TO-92,TP,120-         |               |
| TC6          | 0501-000398        | TR-SMALL SIGNAL:KSC945,NPN,250mW,TO-92,TP,120-         |               |
| TC7          | 0501-000398        | TR-SMALL SIGNAL:KSC945,NPN,250mW,TO-92,TP,120-         |               |
| TR1          | 2001-000331        | R-CARBON,12KOHM,5%,1/8W,AA,TP,1.8X3.2MM                |               |
| TR40         | 2001-000522        | R-CARBON,22KOHM,5%,1/8W,AA,TP,1.8X3.2MM                |               |
| TR41         | 2001-000522        | R-CARBON,22KOHM,5%,1/8W,AA,TP,1.8X3.2MM                |               |
| TR100        | 2001-000527        | R-CARBON,22OHM,5%,1/8W,AA,TP,1.8X3.2MM                 |               |
| TR2          | 2007-000300        | R-CHIP,10KOHM,5%,1/10W,DA,TP,2012                      |               |
| TC100        | 2201-000389        | C-CERAMIC,DISC,0.022nF,5%,50V,NP0,TP,5x3.5             |               |
|              | 2202-000263        | C-CERAMIC,MLC-AXIAL,470pF,10%,50V,Y5P,TP,3.5x19-       |               |
|              | 2903-000119        | FILTER-CERAMIC,SFE10.7MJA-10-A                         |               |
| TJ1          | 3716-000210        | TERMINAL-BLOCK:---,60V,7A                              |               |
|              | 3811-000389        | WIRE-NO SHEATH CU:SPCW,300V,52.4MM,1/0.5MM,-,-         |               |
| LW           | AH27-00007A        | COIL-OSC:LK57FB00-0060BLO-0-,LW OSC                    |               |
| OSC          | AH27-00007A        | COIL-OSC:LK57FB00-0060BLO-0-,LW OSC                    |               |
| MW           | AH27-00008A        | COIL-OSC:LK57SM00-0060LMO-0-,MW OSC                    |               |
| OSC          | AH27-00008A        | COIL-OSC:LK57SM00-0060LMO-0-,MW OSC                    |               |
| ANT          | AH27-00011A        | COIL-OSC:LK57SM00-X000262-0-,LW ANT                    |               |
| LW           | AH27-00011A        | COIL-OSC:LK57SM00-X000262-0-,LW ANT                    |               |
| ANT          | AH27-00012A        | COIL-OSC:LK57SM00-X000263-0,365UH,MW ANT               |               |
| MW           | AH27-00012A        | COIL-OSC:LK57SM00-X000263-0,365UH,MW ANT               |               |
| FM           | AH40-10025S        | TUNER-FM:KST-F404VA-1,4G,75ohm                         |               |
| PACK         | AH40-10025S        | TUNER-FM:KST-F404VA-1,4G,75ohm                         |               |
|              | <b>AH92-00156A</b> | <b>ASSY-PCB-FRONT;MAX934,ASS'Y FRONT</b>               | <b>S.N.A.</b> |
| SD1          | 0402-000151        | DIODE-RECTIFIER;1N5392,100V,1.5A,DO-15,TP              |               |
| SD2          | 0402-000151        | DIODE-RECTIFIER;1N5392,100V,1.5A,DO-15,TP              |               |
| SD3          | 0402-000151        | DIODE-RECTIFIER;1N5392,100V,1.5A,DO-15,TP              |               |
| SD4          | 0402-000151        | DIODE-RECTIFIER;1N5392,100V,1.5A,DO-15,TP              |               |
| SD4          | 0502-000425        | TR-POWER,2SD2385-F,NPN,2W,TO-220FN,BK,1                |               |
| SDIN1        | 0603-001050        | PHOTO-RECEIVER;5V,5mA,40mA,-BK                         |               |
| SDOUT1       | 0603-001051        | OPTIC TRANSMITTER;5V,6mB/s,5m,-15dBm,660nm,20mA        |               |
| SIC1         | 1203-000276        | IC-POSI.FIXED REG.;7805,TO-220,3P,-,PLASTIC,4,8/5      |               |
|              | 13954-100-310      | CERAMIC-PIPE;PI1.4 15MM WHT                            |               |
| SVR1         | 2101-001065        | VR-ROTARY;10KOHMX2-,0.05V,SIDE                         |               |
| SC1          | 2401-001633        | C-AL,6800uF,20%,25V,GP,BK,18x35.5,7                    |               |
| UX1          | 2801-001394        | CRYSTAL-UNIT;32.768KHz,20ppm,28-AA,Y,12.5pF,           |               |
| UX2          | 2802-000105        | RESONATOR-CERAMIC;10MHz,0.5%,TP,10,0x5.0               |               |
| SFL1         | 2901-001139        | FILTER-EMI ON BOARD;50V,5A,-,390PF,7X2.5X5MM,TP,RADIAL |               |
| SFL2         | 2901-001139        | FILTER-EMI ON BOARD;50V,5A,-,390PF,7X2.5X5MM,TP,RADIAL |               |
| UVR1         | 3406-001022        | SWITCH-ROTARY;5V,0.5mA,24Pulse/no click,12mm           |               |
| UJOG1        | 3406-001023        | SWITCH-ROTARY;5V,0.5mA,24detent/click,12mm             |               |
| SCW2         | 3708-000411        | CONNECTOR-FPC;FPC;12P,1.25MM,STRAIGHT,-                |               |
| UCW3         | 3708-000454        | CONNECTOR-FPC;FPC;12P,1.25MM,STRAIGHT,-                |               |
| SCW1         | 3708-001033        | CONNECTOR-FPC;FPC;12P,1.25MM,STRAIGHT,SN               |               |
| UCW4         | 3708-001265        | CONNECTOR-FPC;FPC;12P,1.25mm,ANGLE,F                   |               |
| UCW2         | 3710-001045        | CONNECTOR-SOCKET;22P,1R,1.25MM,ANGLE,SN                |               |
| UCW1         | 3710-001046        | CONNECTOR-SOCKET;10P,1R,1.25MM,ANGLE,SN                |               |
| UCW9         | 3711-000814        | CONNECTOR-HEADER;BOX,3P,1R,2.5mm,ANGLE,SN              |               |
| SCW3         | 3711-000907        | CONNECTOR-HEADER;BOX,3P,1R,2.5mm,STRAIGHT,SN           |               |
| SCW4         | 3711-003107        | CONNECTOR-HEADER;BOX,3P,1R,2.5mm,STRAIGHT,SN           |               |
| SCW5         | 3711-003107        | CONNECTOR-HEADER;BOX,3P,1R,2.5mm,STRAIGHT,SN           |               |
| SCW6         | 3711-003107        | CONNECTOR-HEADER;BOX,3P,1R,2.5mm,STRAIGHT,SN           |               |
| SCW7         | 3711-003107        | CONNECTOR-HEADER;BOX,3P,1R,2.5mm,STRAIGHT,SN           |               |
| SJACK1       | 3722-000377        | JACK-RCA;4P;2C,3.5MM,SN,BLK,#16-22                     |               |

| Location no. | Code no.    | Description & Specification                           | Remarks |
|--------------|-------------|---|---------|
| FREE         | 3809-001034 | CABLE-FLAT;30V,80C,170MM,22P,1.25MM,UL289             |         |
|              | 3809-001097 | CABLE-FLAT;30V,80C,300mm,12P,1.25mm,UL289             |         |
| ULF2         | 3811-000123 | WIRE-PVC CU;BCWA,300V,200MM,7/0.16MM,#26 B            |         |
| UREM1        | AC59-00060A | MODULE-REMOCON;GP1U281R,SHARP,38KHZ,-,-,-,-           |         |
| VFD1         | AH07-00008A | V.F.DISPLAY:HNA-12MM26,MAX934-,125*27*6.8,-           |         |
| UCW6         | AH39-00019A | LEAD-CONNECTOR ASSY;-GT201-11,35023,11P,150MM,1007#28 |         |
| UCW7         | AH39-00020A | LEAD-CONNECTOR ASSY;-GT201-13,35023,13P,150MM,1007#28 |         |
|              | AH39-00131A | LEAD CONNECTOR-ASSY;-DP,5264,5395,3P,250MM,2547       |         |
| SLF2         | AH39-00134A | LEAD-PASTEN;-DP,RING-,1P,50MM,1007#24                 |         |
| ULF1         | AH39-00134A | LEAD-PASTEN;-DP,RING-,1P,50MM,1007#24                 |         |
| UCW5         | AH39-20012W | LEAD-CONNECTOR ASSY;SC25,JC25,2P,150MM,1007#26        |         |
|              | AH39-50001L | LEAD-FASTEN;RING,1007#24,200MM,BLK                    |         |
| ULF1         | AH39-50001L | LEAD-FASTEN;RING,1007#24,200MM,BLK                    |         |
|              | AH61-00145A | HOLDER-VFD;-ABS,-BLK,-,MAX934                         |         |
|              | AH62-30061A | HEAT SINK-SAL,EXTR,WHT,40H,AV330R,-,-,-               |         |
| MD4          | 0401-000101 | DIODE-SWITCHING;1N4148,100V,200mA,DO-35,TP            |         |
| MD5          | 0401-000101 | DIODE-SWITCHING;1N4148,100V,200mA,DO-35,TP            |         |
| SD5          | 0401-000101 | DIODE-SWITCHING;1N4148,100V,200mA,DO-35,TP            |         |
| SD6          | 0401-000101 | DIODE-SWITCHING;1N4148,100V,200mA,DO-35,TP            |         |
| SD7          | 0401-000101 | DIODE-SWITCHING;1N4148,100V,200mA,DO-35,TP            |         |
| TD1          | 0401-000101 | DIODE-SWITCHING;1N4148,100V,200mA,DO-35,TP            |         |
| TD2          | 0401-000101 | DIODE-SWITCHING;1N4148,100V,200mA,DO-35,TP            |         |
| UD10         | 0401-000101 | DIODE-SWITCHING;1N4148,100V,200mA,DO-35,TP            |         |
| UD2          | 0401-000101 | DIODE-SWITCHING;1N4148,100V,200mA,DO-35,TP            |         |
| UD3          | 0401-000101 | DIODE-SWITCHING;1N4148,100V,200mA,DO-35,TP            |         |
| UD9          | 0401-000101 | DIODE-SWITCHING;1N4148,100V,200mA,DO-35,TP            |         |
| SD10         | 0402-000127 | DIODE-RECTIFIER;1N4002,100V,1A,DO-41,TP               |         |
| SD8          | 0402-000127 | DIODE-RECTIFIER;1N4002,100V,1A,DO-41,TP               |         |
| SD9          | 0402-000127 | DIODE-RECTIFIER;1N4002,100V,1A,DO-41,TP               |         |
| UD1          | 0402-000127 | DIODE-RECTIFIER;1N4002,100V,1A,DO-41,TP               |         |
| UD4          | 0402-000127 | DIODE-RECTIFIER;1N4002,100V,1A,DO-41,TP               |         |
| UD5          | 0402-000127 | DIODE-RECTIFIER;1N4002,100V,1A,DO-41,TP               |         |
| UD6          | 0402-000127 | DIODE-RECTIFIER;1N4002,100V,1A,DO-41,TP               |         |
| UD7          | 0402-000127 | DIODE-RECTIFIER;1N4002,100V,1A,DO-41,TP               |         |
| UD8          | 0402-000127 | DIODE-RECTIFIER;1N4002,100V,1A,DO-41,TP               |         |
| SDZ1         | 0403-000377 | DIODE-ZENER;UZP6,8.8,6.8V,6.4-7.2V,1W,DO-41           |         |
| SDZ2         | 0403-000396 | DIODE-ZENER;UZP6,8.8,6.8V,6.4-7.2V,1W,DO-41           |         |
| UZD1         | 0403-000396 | DIODE-ZENER;UZP6,8.8,6.8V,6.4-7.2V,1W,DO-41           |         |
| SQ3          | 0501-000294 | TR-SMALL SIGNAL;KSA708-Y,PNP,800mW,TO-92,TP,12        |         |
| SQ6          | 0501-000331 | TR-SMALL SIGNAL;KSC1009-Y,NPN,800mW,TO-92,-,12        |         |
| UQ18         | 0501-000369 | TR-SMALL SIGNAL;KSC2331-Y,NPN,1W,TO-92L,-,120-        |         |
| TQ3          | 0501-000610 | TR-SMALL SIGNAL;KSA928A-Y,PNP;1W,TO-92L,TP,160        |         |
| TQ4          | 0501-000610 | TR-SMALL SIGNAL;KSA928A-Y,PNP;1W,TO-92L,TP,160        |         |
| TR2          | 0501-000610 | TR-SMALL SIGNAL;KSA928A-Y,PNP;1W,TO-92L,TP,160        |         |
| SQ1          | 0504-000118 | TR-DIGITAL;KSR1003,NPN,300mW,22K/22K,TO-92,TP         |         |
| SQ2          | 0504-000118 | TR-DIGITAL;KSR1003,NPN,300mW,22K/22K,TO-92,TP         |         |
| SQ6          | 0504-001003 | TR-DIGITAL;KSR2003,PNP,300mW,22K/22K,TO-92,TP         |         |
| LED3         | 0601-001218 | LED;INVERTER,AMB,3mm,610nm                            |         |
| LED4         | 0601-001218 | LED;INVERTER,AMB,3mm,610nm                            |         |
| LED5         | 0601-001218 | LED;INVERTER,AMB,3mm,610nm                            |         |
| LED10        | 0601-001232 | LED;TR,LED,1PCS,130-260V                              |         |
| LED11        | 0601-001232 | LED;TR,LED,1PCS,130-260V                              |         |
| LED12        | 0601-001232 | LED;TR,LED,1PCS,130-260V                              |         |
| LED13        | 0601-001232 | LED;TR,LED,1PCS,130-260V                              |         |
| LED14        | 0601-001232 | LED;TR,LED,1PCS,130-260V                              |         |
| LED15        | 0601-001232 | LED;TR,LED,1PCS,130-260V                              |         |
| LED16        | 0601-001232 | LED;TR,LED,1PCS,130-260V                              |         |
| LED17        | 0601-001232 | LED;TR,LED,1PCS,130-260V                              |         |
| LED18        | 0601-001232 | LED;TR,LED,1PCS,130-260V                              |         |
| LED19        | 0601-001232 | LED;TR,LED,1PCS,130-260V                              |         |
| LED6         | 0601-001232 | LED;TR,LED,1PCS,130-260V                              |         |
| LED7         | 0601-001232 | LED;TR,LED,1PCS,130-260V                              |         |
| LED8         | 0601-001232 | LED;TR,LED,1PCS,130-260V                              |         |
| LED9         | 0601-001232 | LED;TR,LED,1PCS,130-260V                              |         |
| LED1         | 0601-001238 | LED;ROUND,RED,3.1mm,697nm                             |         |
| LED2         | 0601-001238 | LED;ROUND,RED,3.1mm,697nm                             |         |
| SR5          | 2001-000055 | R-CARBON;4.7KOHM,5%,1/4W,AA,TP,2.4x6.4mm              |         |
| UR15         | 2001-000221 | R-CARBON;1.2KOHM,5%,1/8W,AA,TP,1.8X3.2MM              |         |
| UR36         | 2001-000221 | R-CARBON;1.2KOHM,5%,1/8W,AA,TP,1.8X3.2MM              |         |
| UR16         | 2001-000258 | R-CARBON;1.8KOHM,5%,1/8W,AA,TP,1.8X3.2MM              |         |
| UR37         | 2001-000258 | R-CARBON;1.8KOHM,5%,1/8W,AA,TP,1.8X3.2MM              |         |
| UR45         | 2001-000273 | R-CARBON;10KOHM,5%,1/8W,AA,TP,1.8X3.2MM               |         |
| SR1          | 2001-000290 | R-CARBON;10KOHM,5%,1/8W,AA,TP,1.8X3.2MM               |         |
| SR2          | 2001-000290 | R-CARBON;10KOHM,5%,1/8W,AA,TP,1.8X3.2MM               |         |
| SR4          | 2001-000290 | R-CARBON;10KOHM,5%,1/8W,AA,TP,1.8X3.2MM               |         |
| UR14         | 2001-000429 | R-CARBON;1KOHM,5%,1/8W,AA,TP,1.8X3.2MM                |         |
| UR151        | 2001-000429 | R-CARBON;1KOHM,5%,1/8W,AA,TP,1.8X3.2MM                |         |
| UR25         | 2001-000429 | R-CARBON;1KOHM,5%,1/8W,AA,TP,1.8X3.2MM                |         |
| UR32         | 2001-000429 | R-CARBON;1KOHM,5%,1/8W,AA,TP,1.8X3.2MM                |         |
| UR35         | 2001-000429 | R-CARBON;1KOHM,5%,1/8W,AA,TP,1.8X3.2MM                |         |
| UR64         | 2001-000429 | R-CARBON;1KOHM,5%,1/8W,AA,TP,1.8X3.2MM                |         |
| UR65         | 2001-000429 | R-CARBON;1KOHM,5%,1/8W,AA,TP,1.8X3.2MM                |         |
| UR66         | 2001-000429 | R-CARBON;1KOHM,5%,1/8W,AA,TP,1.8X3.2MM                |         |
| UR67         | 2001-000429 | R-CARBON;1KOHM,5%,1/8W,AA,TP,1.8X3.2MM                |         |
| UR68         | 2001-000429 | R-CARBON;1KOHM,5%,1/8W,AA,TP,1.8X3.2MM                |         |
| UR69         | 2001-000429 | R-CARBON;1KOHM,5%,1/8W,AA,TP,1.8X3.2MM                |         |
| UR71         | 2001-000429 | R-CARBON;1KOHM,5%,1/8W,AA,TP,1.8X3.2MM                |         |
| UR72         | 2001-000429 | R-CARBON;1KOHM,5%,1/8W,AA,TP,1.8X3.2MM                |         |
| UR73         | 2001-000429 | R-CARBON;1KOHM,5%,1/8W,AA,TP,1.8X3.2MM                |         |
| UR80         | 2001-000429 | R-CARBON;1KOHM,5%,1/8W,AA,TP,1.8X3.2MM                |         |
| UR84         | 2001-000429 | R-CARBON;1KOHM,5%,1/8W,AA,TP,1.8X3.2MM                |         |
| UR91         | 2001-000429 | R-CARBON;1KOHM,5%,1/8W,AA,TP,1.8X3.2MM                |         |
| UR17         | 2001-000449 | R-CARBON;2.2KOHM,5%,1/8W,AA,TP,1.8X3.2MM              |         |
| UR38         | 2001-000449 | R-CARBON;2.2KOHM,5%,1/8W,AA,TP,1.8X3.2MM              |         |

| Location no. | Code no.    | Description & Specification                       | Remarks |
|--------------|-------------|---|---------|
| UR62         | 2001-000449 | R-CARBON:2.2KOHM,5%,1/8W,AA,TP,1.8X3.2MM          |         |
| UR18         | 2001-000472 | R-CARBON:2.7KOHM,5%,1/8W,AA,TP,1.8X3.2MM          |         |
| UR29         | 2001-000472 | R-CARBON:2.7KOHM,5%,1/8W,AA,TP,1.8X3.2MM          |         |
| UR39         | 2001-000472 | R-CARBON:2.7KOHM,5%,1/8W,AA,TP,1.8X3.2MM          |         |
| UR33         | 2001-000522 | R-CARBON:2.2KOHM,5%,1/8W,AA,TP,1.8X3.2MM          |         |
| UR19         | 2001-000613 | R-CARBON:3.9KOHM,5%,1/8W,AA,TP,1.8X3.2MM          |         |
| TR14         | 2001-000734 | R-CARBON:4.7KOHM,5%,1/8W,AA,TP,1.8X3.2MM          |         |
| TR16         | 2001-000802 | R-CARBON:5.6Kohm,5%,1/8W,AA,TP,1.8x3.2m           |         |
| TR17         | 2001-000802 | R-CARBON:5.6Kohm,5%,1/8W,AA,TP,1.8x3.2m           |         |
| UR31         | 2001-000802 | R-CARBON:5.6Kohm,5%,1/8W,AA,TP,1.8x3.2m           |         |
| SR6          | 2001-000857 | R-CARBON:560OHM,5%,1/8W,AA,TP,1.8X3.2MM           |         |
| UR24         | 2001-000995 | R-CARBON:820OHM,5%,1/8W,AA,TP,1.8X3.2MM           |         |
| UR34         | 2001-000995 | R-CARBON:820OHM,5%,1/8W,AA,TP,1.8X3.2MM           |         |
| SR3          | 2001-001114 | R-CARBON(S):270ohm,5%,1/2W,AA,TP,2.4x6.4mm        |         |
| UR62         | 2001-001165 | R-CARBON(S):560OHM,5%,1/2W,AA,TP,2.4X6.4MM        |         |
| TR1          | 2001-001178 | R-CARBON(S):680OHM,5%,1/2W,AA,TP,2.4X6.4MM        |         |
| TR2          | 2001-001178 | R-CARBON(S):680OHM,5%,1/2W,AA,TP,2.4X6.4MM        |         |
| TR3          | 2001-001178 | R-CARBON(S):680OHM,5%,1/2W,AA,TP,2.4X6.4MM        |         |
| SR7          | 2003-000500 | R-METAL OXIDE(S):150ohm,5%,1W,AA,TP,3.3x9mm       |         |
| UR103        | 2003-000616 | R-METAL OXIDE(S):27ohm,5%,2W,AA,TP,4x12mm         |         |
| TVR1         | 2103-000341 | VR-SEMI:2Kohm,30%,1/10W,TOP                       |         |
| UC24         | 2201-000565 | C-CERAMIC,DISC:47nF,20%,50V,Y5V,12.5x4.0mm,5mm,TP |         |
| UC27         | 2201-000565 | C-CERAMIC,DISC:47nF,20%,50V,Y5V,12.5x4.0mm,5mm,TP |         |
| UC91         | 2202-000243 | C-CERAMIC,MLC-AXIAL:33PF,5%,50V,SL,3.5X19,-,TP    |         |
| UC92         | 2202-000243 | C-CERAMIC,MLC-AXIAL:33PF,5%,50V,SL,3.5X19,-,TP    |         |
| UC93         | 2202-000243 | C-CERAMIC,MLC-AXIAL:33PF,5%,50V,SL,3.5X19,-,TP    |         |
| UC10         | 2401-000243 | C-AL:100uF,20%,10V,GP,TP,6.3x5.5                  |         |
| UC16         | 2401-000243 | C-AL:100uF,20%,10V,GP,TP,6.3x5.5                  |         |
| UC15         | 2401-000475 | C-AL:10UF,20%,50V,GP,-,5X11,2MM                   |         |
| UC25         | 2401-000475 | C-AL:10UF,20%,50V,GP,-,5X11,2MM                   |         |
| UC26         | 2401-000475 | C-AL:10UF,20%,50V,GP,-,5X11,2MM                   |         |
| UC20         | 2401-000759 | C-AL:220NF,20%,50V,GP,-,5X11,2MM                  |         |
| UC4          | 2401-000759 | C-AL:220NF,20%,50V,GP,-,5X11,2MM                  |         |
| SC2          | 2401-000830 | C-AL:220uF,20%,25V,GP,TP,8x11,5.5                 |         |
| SC4          | 2401-001364 | C-AL:470uF,20%,16V,GP,TP,10x12,5.5                |         |
| SC5          | 2401-001895 | C-AL:100uF,20%,16V,GP,6.3x11mm,2.5m               |         |
| SC7          | 2401-001895 | C-AL:100uF,20%,16V,GP,6.3x11mm,2.5m               |         |
| SC9          | 2401-001895 | C-AL:100uF,20%,16V,GP,6.3x11mm,2.5m               |         |
| UC30         | 2401-001895 | C-AL:100uF,20%,16V,GP,6.3x11mm,2.5m               |         |
| PC6          | 2401-001954 | C-AL:4.7UF,20%,50V,GP,BK,5X11MM,5                 |         |
| SC11         | 2401-001954 | C-AL:4.7UF,20%,50V,GP,BK,5X11MM,5                 |         |
| SC12         | 2401-001954 | C-AL:4.7UF,20%,50V,GP,BK,5X11MM,5                 |         |
| SC21         | 2401-001954 | C-AL:4.7UF,20%,50V,GP,BK,5X11MM,5                 |         |
| SC22         | 2401-001954 | C-AL:4.7UF,20%,50V,GP,BK,5X11MM,5                 |         |
| UC3          | 2401-001954 | C-AL:4.7UF,20%,50V,GP,BK,5X11MM,5                 |         |
| SC3          | 2401-001969 | C-AL:470uF,20%,25V,GP,TP,10x12,5.5                |         |
| UC2          | 2409-000123 | C-EDL:4700UF,4UA,5.5V,-,BK,-,5MM                  |         |
| BD1          | 3301-000297 | CORE-FERRITE BEAD:AA,3.6x1.2x5.7mm,1400,2900G     |         |
| BD2          | 3301-000297 | CORE-FERRITE BEAD:AA,3.6x1.2x5.7mm,1400,2900G     |         |
| SB3          | 3301-000297 | CORE-FERRITE BEAD:AA,3.6x1.2x5.7mm,1400,2900G     |         |
| SB4          | 3301-000297 | CORE-FERRITE BEAD:AA,3.6x1.2x5.7mm,1400,2900G     |         |
| SB5          | 3301-000297 | CORE-FERRITE BEAD:AA,3.6x1.2x5.7mm,1400,2900G     |         |
| SB7          | 3301-000353 | CORE-FERRITE BEAD:AB,2.0X1.25X0.9MM,-,-           |         |
| USW1         | 3404-000165 | SWITCH-TACT:12V,50mA,160gf,6x6mm,SPST             |         |
| USW10        | 3404-000165 | SWITCH-TACT:12V,50mA,160gf,6x6mm,SPST             |         |
| USW11        | 3404-000165 | SWITCH-TACT:12V,50mA,160gf,6x6mm,SPST             |         |
| USW12        | 3404-000165 | SWITCH-TACT:12V,50mA,160gf,6x6mm,SPST             |         |
| USW13        | 3404-000165 | SWITCH-TACT:12V,50mA,160gf,6x6mm,SPST             |         |
| USW14        | 3404-000165 | SWITCH-TACT:12V,50mA,160gf,6x6mm,SPST             |         |
| USW15        | 3404-000165 | SWITCH-TACT:12V,50mA,160gf,6x6mm,SPST             |         |
| USW16        | 3404-000165 | SWITCH-TACT:12V,50mA,160gf,6x6mm,SPST             |         |
| USW17        | 3404-000165 | SWITCH-TACT:12V,50mA,160gf,6x6mm,SPST             |         |
| USW18        | 3404-000165 | SWITCH-TACT:12V,50mA,160gf,6x6mm,SPST             |         |
| USW19        | 3404-000165 | SWITCH-TACT:12V,50mA,160gf,6x6mm,SPST             |         |
| USW2         | 3404-000165 | SWITCH-TACT:12V,50mA,160gf,6x6mm,SPST             |         |
| USW20        | 3404-000165 | SWITCH-TACT:12V,50mA,160gf,6x6mm,SPST             |         |
| USW21        | 3404-000165 | SWITCH-TACT:12V,50mA,160gf,6x6mm,SPST             |         |
| USW22        | 3404-000165 | SWITCH-TACT:12V,50mA,160gf,6x6mm,SPST             |         |
| USW23        | 3404-000165 | SWITCH-TACT:12V,50mA,160gf,6x6mm,SPST             |         |
| USW24        | 3404-000165 | SWITCH-TACT:12V,50mA,160gf,6x6mm,SPST             |         |
| USW25        | 3404-000165 | SWITCH-TACT:12V,50mA,160gf,6x6mm,SPST             |         |
| USW26        | 3404-000165 | SWITCH-TACT:12V,50mA,160gf,6x6mm,SPST             |         |
| USW27        | 3404-000165 | SWITCH-TACT:12V,50mA,160gf,6x6mm,SPST             |         |
| USW28        | 3404-000165 | SWITCH-TACT:12V,50mA,160gf,6x6mm,SPST             |         |
| USW29        | 3404-000165 | SWITCH-TACT:12V,50mA,160gf,6x6mm,SPST             |         |
| USW3         | 3404-000165 | SWITCH-TACT:12V,50mA,160gf,6x6mm,SPST             |         |
| USW30        | 3404-000165 | SWITCH-TACT:12V,50mA,160gf,6x6mm,SPST             |         |
| USW31        | 3404-000165 | SWITCH-TACT:12V,50mA,160gf,6x6mm,SPST             |         |
| USW32        | 3404-000165 | SWITCH-TACT:12V,50mA,160gf,6x6mm,SPST             |         |
| USW33        | 3404-000165 | SWITCH-TACT:12V,50mA,160gf,6x6mm,SPST             |         |
| USW34        | 3404-000165 | SWITCH-TACT:12V,50mA,160gf,6x6mm,SPST             |         |
| USW4         | 3404-000165 | SWITCH-TACT:12V,50mA,160gf,6x6mm,SPST             |         |
| USW5         | 3404-000165 | SWITCH-TACT:12V,50mA,160gf,6x6mm,SPST             |         |
| USW6         | 3404-000165 | SWITCH-TACT:12V,50mA,160gf,6x6mm,SPST             |         |
| USW7         | 3404-000165 | SWITCH-TACT:12V,50mA,160gf,6x6mm,SPST             |         |
| USW8         | 3404-000165 | SWITCH-TACT:12V,50mA,160gf,6x6mm,SPST             |         |
| USW9         | 3404-000165 | SWITCH-TACT:12V,50mA,160gf,6x6mm,SPST             |         |
| UJ57         | 3811-000389 | WIRE-NO SHEATH CU:SPCW,300V,52.4MM,1/0.5MM,-,-    |         |
| UJW10        | 3811-000389 | WIRE-NO SHEATH CU:SPCW,300V,52.4MM,1/0.5MM,-,-    |         |
| UJW11        | 3811-000389 | WIRE-NO SHEATH CU:SPCW,300V,52.4MM,1/0.5MM,-,-    |         |
| UJW14        | 3811-000389 | WIRE-NO SHEATH CU:SPCW,300V,52.4MM,1/0.5MM,-,-    |         |
| UJW15        | 3811-000389 | WIRE-NO SHEATH CU:SPCW,300V,52.4MM,1/0.5MM,-,-    |         |
| UJW16        | 3811-000389 | WIRE-NO SHEATH CU:SPCW,300V,52.4MM,1/0.5MM,-,-    |         |

| Location no. | Code no.    | Description & Specification                    | Remarks |
|--------------|-------------|--|---------|
| UJW17        | 3811-000389 | WIRE-NO SHEATH CU:SPCW,300V,52.4MM,1/0.5MM,-,- |         |
| UJW18        | 3811-000389 | WIRE-NO SHEATH CU:SPCW,300V,52.4MM,1/0.5MM,-,- |         |
| UJW19        | 3811-000389 | WIRE-NO SHEATH CU:SPCW,300V,52.4MM,1/0.5MM,-,- |         |
| UJW2         | 3811-000389 | WIRE-NO SHEATH CU:SPCW,300V,52.4MM,1/0.5MM,-,- |         |
| UJW20        | 3811-000389 | WIRE-NO SHEATH CU:SPCW,300V,52.4MM,1/0.5MM,-,- |         |
| UJW21        | 3811-000389 | WIRE-NO SHEATH CU:SPCW,300V,52.4MM,1/0.5MM,-,- |         |
| UJW22        | 3811-000389 | WIRE-NO SHEATH CU:SPCW,300V,52.4MM,1/0.5MM,-,- |         |
| UJW23        | 3811-000389 | WIRE-NO SHEATH CU:SPCW,300V,52.4MM,1/0.5MM,-,- |         |
| UJW25        | 3811-000389 | WIRE-NO SHEATH CU:SPCW,300V,52.4MM,1/0.5MM,-,- |         |
| UJW26        | 3811-000389 | WIRE-NO SHEATH CU:SPCW,300V,52.4MM,1/0.5MM,-,- |         |
| UJW27        | 3811-000389 | WIRE-NO SHEATH CU:SPCW,300V,52.4MM,1/0.5MM,-,- |         |
| UJW28        | 3811-000389 | WIRE-NO SHEATH CU:SPCW,300V,52.4MM,1/0.5MM,-,- |         |
| UJW29        | 3811-000389 | WIRE-NO SHEATH CU:SPCW,300V,52.4MM,1/0.5MM,-,- |         |
| UJW3         | 3811-000389 | WIRE-NO SHEATH CU:SPCW,300V,52.4MM,1/0.5MM,-,- |         |
| UJW30        | 3811-000389 | WIRE-NO SHEATH CU:SPCW,300V,52.4MM,1/0.5MM,-,- |         |
| UJW31        | 3811-000389 | WIRE-NO SHEATH CU:SPCW,300V,52.4MM,1/0.5MM,-,- |         |
| UJW32        | 3811-000389 | WIRE-NO SHEATH CU:SPCW,300V,52.4MM,1/0.5MM,-,- |         |
| UJW33        | 3811-000389 | WIRE-NO SHEATH CU:SPCW,300V,52.4MM,1/0.5MM,-,- |         |
| UJW34        | 3811-000389 | WIRE-NO SHEATH CU:SPCW,300V,52.4MM,1/0.5MM,-,- |         |
| UJW35        | 3811-000389 | WIRE-NO SHEATH CU:SPCW,300V,52.4MM,1/0.5MM,-,- |         |
| UJW36        | 3811-000389 | WIRE-NO SHEATH CU:SPCW,300V,52.4MM,1/0.5MM,-,- |         |
| UJW37        | 3811-000389 | WIRE-NO SHEATH CU:SPCW,300V,52.4MM,1/0.5MM,-,- |         |
| UJW38        | 3811-000389 | WIRE-NO SHEATH CU:SPCW,300V,52.4MM,1/0.5MM,-,- |         |
| UJW39        | 3811-000389 | WIRE-NO SHEATH CU:SPCW,300V,52.4MM,1/0.5MM,-,- |         |
| UJW4         | 3811-000389 | WIRE-NO SHEATH CU:SPCW,300V,52.4MM,1/0.5MM,-,- |         |
| UJW40        | 3811-000389 | WIRE-NO SHEATH CU:SPCW,300V,52.4MM,1/0.5MM,-,- |         |
| UJW41        | 3811-000389 | WIRE-NO SHEATH CU:SPCW,300V,52.4MM,1/0.5MM,-,- |         |
| UJW42        | 3811-000389 | WIRE-NO SHEATH CU:SPCW,300V,52.4MM,1/0.5MM,-,- |         |
| UJW43        | 3811-000389 | WIRE-NO SHEATH CU:SPCW,300V,52.4MM,1/0.5MM,-,- |         |
| UJW44        | 3811-000389 | WIRE-NO SHEATH CU:SPCW,300V,52.4MM,1/0.5MM,-,- |         |
| UJW45        | 3811-000389 | WIRE-NO SHEATH CU:SPCW,300V,52.4MM,1/0.5MM,-,- |         |
| UJW46        | 3811-000389 | WIRE-NO SHEATH CU:SPCW,300V,52.4MM,1/0.5MM,-,- |         |
| UJW47        | 3811-000389 | WIRE-NO SHEATH CU:SPCW,300V,52.4MM,1/0.5MM,-,- |         |
| UJW48        | 3811-000389 | WIRE-NO SHEATH CU:SPCW,300V,52.4MM,1/0.5MM,-,- |         |
| UJW49        | 3811-000389 | WIRE-NO SHEATH CU:SPCW,300V,52.4MM,1/0.5MM,-,- |         |
| UJW5         | 3811-000389 | WIRE-NO SHEATH CU:SPCW,300V,52.4MM,1/0.5MM,-,- |         |
| UJW50        | 3811-000389 | WIRE-NO SHEATH CU:SPCW,300V,52.4MM,1/0.5MM,-,- |         |
| UJW51        | 3811-000389 | WIRE-NO SHEATH CU:SPCW,300V,52.4MM,1/0.5MM,-,- |         |
| UJW52        | 3811-000389 | WIRE-NO SHEATH CU:SPCW,300V,52.4MM,1/0.5MM,-,- |         |
| UJW53        | 3811-000389 | WIRE-NO SHEATH CU:SPCW,300V,52.4MM,1/0.5MM,-,- |         |
| UJW54        | 3811-000389 | WIRE-NO SHEATH CU:SPCW,300V,52.4MM,1/0.5MM,-,- |         |
| UJW55        | 3811-000389 | WIRE-NO SHEATH CU:SPCW,300V,52.4MM,1/0.5MM,-,- |         |
| UJW56        | 3811-000389 | WIRE-NO SHEATH CU:SPCW,300V,52.4MM,1/0.5MM,-,- |         |
| UJW58        | 3811-000389 | WIRE-NO SHEATH CU:SPCW,300V,52.4MM,1/0.5MM,-,- |         |
| UJW6         | 3811-000389 | WIRE-NO SHEATH CU:SPCW,300V,52.4MM,1/0.5MM,-,- |         |
| UJW60        | 3811-000389 | WIRE-NO SHEATH CU:SPCW,300V,52.4MM,1/0.5MM,-,- |         |
| UJW61        | 3811-000389 | WIRE-NO SHEATH CU:SPCW,300V,52.4MM,1/0.5MM,-,- |         |
| UJW62        | 3811-000389 | WIRE-NO SHEATH CU:SPCW,300V,52.4MM,1/0.5MM,-,- |         |
| UJW63        | 3811-000389 | WIRE-NO SHEATH CU:SPCW,300V,52.4MM,1/0.5MM,-,- |         |
| UJW64        | 3811-000389 | WIRE-NO SHEATH CU:SPCW,300V,52.4MM,1/0.5MM,-,- |         |
| UJW65        | 3811-000389 | WIRE-NO SHEATH CU:SPCW,300V,52.4MM,1/0.5MM,-,- |         |
| UJW66        | 3811-000389 | WIRE-NO SHEATH CU:SPCW,300V,52.4MM,1/0.5MM,-,- |         |
| UJW67        | 3811-000389 | WIRE-NO SHEATH CU:SPCW,300V,52.4MM,1/0.5MM,-,- |         |
| UJW68        | 3811-000389 | WIRE-NO SHEATH CU:SPCW,300V,52.4MM,1/0.5MM,-,- |         |
| UJW69        | 3811-000389 | WIRE-NO SHEATH CU:SPCW,300V,52.4MM,1/0.5MM,-,- |         |
| UJW7         | 3811-000389 | WIRE-NO SHEATH CU:SPCW,300V,52.4MM,1/0.5MM,-,- |         |
| UJW70        | 3811-000389 | WIRE-NO SHEATH CU:SPCW,300V,52.4MM,1/0.5MM,-,- |         |
| UJW71        | 3811-000389 | WIRE-NO SHEATH CU:SPCW,300V,52.4MM,1/0.5MM,-,- |         |
| UJW72        | 3811-000389 | WIRE-NO SHEATH CU:SPCW,300V,52.4MM,1/0.5MM,-,- |         |
| UJW73        | 3811-000389 | WIRE-NO SHEATH CU:SPCW,300V,52.4MM,1/0.5MM,-,- |         |
| UJW74        | 3811-000389 | WIRE-NO SHEATH CU:SPCW,300V,52.4MM,1/0.5MM,-,- |         |
| UJW75        | 3811-000389 | WIRE-NO SHEATH CU:SPCW,300V,52.4MM,1/0.5MM,-,- |         |
| UJW76        | 3811-000389 | WIRE-NO SHEATH CU:SPCW,300V,52.4MM,1/0.5MM,-,- |         |
| UJW77        | 3811-000389 | WIRE-NO SHEATH CU:SPCW,300V,52.4MM,1/0.5MM,-,- |         |
| UJW78        | 3811-000389 | WIRE-NO SHEATH CU:SPCW,300V,52.4MM,1/0.5MM,-,- |         |
| UJW8         | 3811-000389 | WIRE-NO SHEATH CU:SPCW,300V,52.4MM,1/0.5MM,-,- |         |
| UJW80        | 3811-000389 | WIRE-NO SHEATH CU:SPCW,300V,52.4MM,1/0.5MM,-,- |         |
| UJW81        | 3811-000389 | WIRE-NO SHEATH CU:SPCW,300V,52.4MM,1/0.5MM,-,- |         |
| UJW82        | 3811-000389 | WIRE-NO SHEATH CU:SPCW,300V,52.4MM,1/0.5MM,-,- |         |
| UJW83        | 3811-000389 | WIRE-NO SHEATH CU:SPCW,300V,52.4MM,1/0.5MM,-,- |         |
| UJW84        | 3811-000389 | WIRE-NO SHEATH CU:SPCW,300V,52.4MM,1/0.5MM,-,- |         |
| UJW85        | 3811-000389 | WIRE-NO SHEATH CU:SPCW,300V,52.4MM,1/0.5MM,-,- |         |
| UJW86        | 3811-000389 | WIRE-NO SHEATH CU:SPCW,300V,52.4MM,1/0.5MM,-,- |         |
| UJW87        | 3811-000389 | WIRE-NO SHEATH CU:SPCW,300V,52.4MM,1/0.5MM,-,- |         |
| UJW88        | 3811-000389 | WIRE-NO SHEATH CU:SPCW,300V,52.4MM,1/0.5MM,-,- |         |
| UJW99        | 3811-000389 | WIRE-NO SHEATH CU:SPCW,300V,52.4MM,1/0.5MM,-,- |         |
| UQ12         | 0501-000314 | TR-SMALL SIGNAL:KSA812,PNP,150mW,SOT-23,TP,90  |         |
| UQ17         | 0501-000314 | TR-SMALL SIGNAL:KSA812,PNP,150mW,SOT-23,TP,90  |         |
| TQ7          | 0501-000341 | TR-SMALL SIGNAL:KSC1623-L,NPN,200mW,SOT-23,TP  |         |
| TQ8          | 0501-000341 | TR-SMALL SIGNAL:KSC1623-L,NPN,200mW,SOT-23,TP  |         |
| UQ1          | 0501-000341 | TR-SMALL SIGNAL:KSC1623-L,NPN,200mW,SOT-23,TP  |         |
| SQ21         | 0504-000128 | TR-DIGITAL,-,NPN,200MW,22K/22K,SOT-23,TP       |         |
| TQ1          | 0504-000128 | TR-DIGITAL,-,NPN,200MW,22K/22K,SOT-23,TP       |         |
| TQ5          | 0504-000128 | TR-DIGITAL,-,NPN,200MW,22K/22K,SOT-23,TP       |         |
| TQ6          | 0504-000128 | TR-DIGITAL,-,NPN,200MW,22K/22K,SOT-23,TP       |         |
| UQ10         | 0504-000128 | TR-DIGITAL,-,NPN,200MW,22K/22K,SOT-23,TP       |         |
| UQ11         | 0504-000128 | TR-DIGITAL,-,NPN,200MW,22K/22K,SOT-23,TP       |         |
| UQ14         | 0504-000128 | TR-DIGITAL,-,NPN,200MW,22K/22K,SOT-23,TP</     |         |



| Location no.  | Code no.      | Description & Specification                           | Remarks |
|---|---------------|---|---------|
| UR3B  | 2007-001039   | R-CHIP:56KOHM,5%,1/10W,DA,TP,2012                     |         |
| UR3C  | 2007-001039   | R-CHIP:56KOHM,5%,1/10W,DA,TP,2012                     |         |
| UR3D  | 2007-001039   | R-CHIP:56KOHM,5%,1/10W,DA,TP,2012                     |         |
| UR3E  | 2007-001039   | R-CHIP:56KOHM,5%,1/10W,DA,TP,2012                     |         |
| UR3F  | 2007-001039   | R-CHIP:56KOHM,5%,1/10W,DA,TP,2012                     |         |
| UR3G  | 2007-001039   | R-CHIP:56KOHM,5%,1/10W,DA,TP,2012                     |         |
| UR3H  | 2007-001039   | R-CHIP:56KOHM,5%,1/10W,DA,TP,2012                     |         |
| UR3I  | 2007-001039   | R-CHIP:56KOHM,5%,1/10W,DA,TP,2012                     |         |
| UR3J  | 2007-001039   | R-CHIP:56KOHM,5%,1/10W,DA,TP,2012                     |         |
| SR16  | 2007-001056   | R-CHIP:6.2Kohm,5%,1/16W,DA,TP,1608                    |         |
| SR18  | 2007-001056   | R-CHIP:6.2Kohm,5%,1/16W,DA,TP,1608                    |         |
| TR5   | 2007-001056   | R-CHIP:6.2Kohm,5%,1/16W,DA,TP,1608                    |         |
| UR13  | 2007-001201   | R-CHIP:820OHM,5%,1/10W,DA,TP,2012                     |         |
| UR5   | 2007-001654   | R-CHIP:10MOHM,1%,1/10W,DA,TP,2012                     |         |
| UR5A  | 2007-001654   | R-CHIP:10MOHM,1%,1/10W,DA,TP,2012                     |         |
| UC52  | 2203-000477   | C-CERAMIC,CHIP,1uF,+80-20%,16V,Y5V,TP,2012,-          |         |
| UC53  | 2203-000477   | C-CERAMIC,CHIP,1uF,+80-20%,16V,Y5V,TP,2012,-          |         |
| UC54  | 2203-000477   | C-CERAMIC,CHIP,1uF,+80-20%,16V,Y5V,TP,2012,-          |         |
| UC55  | 2203-000477   | C-CERAMIC,CHIP,1uF,+80-20%,16V,Y5V,TP,2012,-          |         |
| UC56  | 2203-000477   | C-CERAMIC,CHIP,1uF,+80-20%,16V,Y5V,TP,2012,-          |         |
| UC57  | 2203-000477   | C-CERAMIC,CHIP,1uF,+80-20%,16V,Y5V,TP,2012,-          |         |
| UC58  | 2203-000477   | C-CERAMIC,CHIP,1uF,+80-20%,16V,Y5V,TP,2012,-          |         |
| UC59  | 2203-000477   | C-CERAMIC,CHIP,1uF,+80-20%,16V,Y5V,TP,2012,-          |         |
| UC60  | 2203-000477   | C-CERAMIC,CHIP,1uF,+80-20%,16V,Y5V,TP,2012,-          |         |
| UC61  | 2203-000477   | C-CERAMIC,CHIP,1uF,+80-20%,16V,Y5V,TP,2012,-          |         |
| UC62  | 2203-000477   | C-CERAMIC,CHIP,1uF,+80-20%,16V,Y5V,TP,2012,-          |         |
| UC63  | 2203-000477   | C-CERAMIC,CHIP,1uF,+80-20%,16V,Y5V,TP,2012,-          |         |
| UC64  | 2203-000477   | C-CERAMIC,CHIP,1uF,+80-20%,16V,Y5V,TP,2012,-          |         |
| UC65  | 2203-000477   | C-CERAMIC,CHIP,1uF,+80-20%,16V,Y5V,TP,2012,-          |         |
| SC13  | 2203-000595   | C-CERAMIC,CHIP,0.22nF,5%,50V,NP0,TP,2012              |         |
| SC14  | 2203-000595   | C-CERAMIC,CHIP,0.22nF,5%,50V,NP0,TP,2012              |         |
| SC10  | 2203-000609   | C-CERAMIC,CHIP,22nF,10%,50V,X7R,TP,2012               |         |
| SC16  | 2203-000609   | C-CERAMIC,CHIP,22nF,10%,50V,X7R,TP,2012               |         |
| SC17  | 2203-000609   | C-CERAMIC,CHIP,22nF,10%,50V,X7R,TP,2012               |         |
| SC18  | 2203-000609   | C-CERAMIC,CHIP,22nF,10%,50V,X7R,TP,2012               |         |
| SC20  | 2203-000609   | C-CERAMIC,CHIP,22nF,10%,50V,X7R,TP,2012               |         |
| SC8   | 2203-000609   | C-CERAMIC,CHIP,22nF,10%,50V,X7R,TP,2012               |         |
| UC67  | 2203-000609   | C-CERAMIC,CHIP,22nF,10%,50V,X7R,TP,2012               |         |
| UC68  | 2203-000609   | C-CERAMIC,CHIP,22nF,10%,50V,X7R,TP,2012               |         |
| UC80A   | 2203-000787   | C-CERAMIC,CHIP,0.33nF,5%,50V,NP0,TP,2012              |         |
| SC15  | 2203-000818   | C-CERAMIC,CHIP,0.033nF,5%,50V,NP0,TP,2012             |         |
| UC18  | 2203-000818   | C-CERAMIC,CHIP,0.033nF,5%,50V,NP0,TP,2012             |         |
| SC41  | 2203-000979   | C-CERAMIC,CHIP,47nF,10%,50V,X7R,TP,2012               |         |
| SC42  | 2203-000979   | C-CERAMIC,CHIP,47nF,10%,50V,X7R,TP,2012               |         |
| UC11  | 2203-000979   | C-CERAMIC,CHIP,47nF,10%,50V,X7R,TP,2012               |         |
| UC11A   | 2203-000979   | C-CERAMIC,CHIP,47nF,10%,50V,X7R,TP,2012               |         |
| UC12  | 2203-000979   | C-CERAMIC,CHIP,47nF,10%,50V,X7R,TP,2012               |         |
| UC13A   | 2203-000979   | C-CERAMIC,CHIP,47nF,10%,50V,X7R,TP,2012               |         |
| UC14  | 2203-000979   | C-CERAMIC,CHIP,47nF,10%,50V,X7R,TP,2012               |         |
| UC17  | 2203-000979   | C-CERAMIC,CHIP,47nF,10%,50V,X7R,TP,2012               |         |
| UC31  | 2203-000979   | C-CERAMIC,CHIP,47nF,10%,50V,X7R,TP,2012               |         |
| UC31A   | 2203-000979   | C-CERAMIC,CHIP,47nF,10%,50V,X7R,TP,2012               |         |
| UC62A   | 2203-000979   | C-CERAMIC,CHIP,47nF,10%,50V,X7R,TP,2012               |         |
| UC99A   | 2203-000979   | C-CERAMIC,CHIP,47nF,10%,50V,X7R,TP,2012               |         |
| UC6   | 2203-001517   | C-CERAMIC,CHIP,0.015nF,5%,50V,NP0,TP,2012             |         |
| UC7   | 2203-001517   | C-CERAMIC,CHIP,0.015nF,5%,50V,NP0,TP,2012             |         |
| TC1   | 2203-001537   | C-CERAMIC,CHIP,1nF,10%,50V,X7R,TP,2012                |         |
| UC8   | 2203-001619   | C-CERAMIC,CHIP,0.027nF,5%,50V,NP0,TP,2012             |         |
| UC9   | 2203-001619   | C-CERAMIC,CHIP,0.027nF,5%,50V,NP0,TP,2012             |         |
| SB7   | 3301-000353   | CORE-FERRITE BEAD,AB,2.0X1.25X0.9MM,-,-               |         |
| SIC3  | AH14-10004R   | IC:M74HCU04,SOP,TAPE 14P                              |         |
| UIC2  | AH14-10007K   | IC-VFD:LC75710,QFP,                                   |         |
| <b>AH92-00157A ASSY-PCB-MAIN;MAX934,ASS'Y MAIN S.N.A.</b> |               |   |         |
| PD2   | 0402-000127   | DIODE-RECTIFIER;1N4002,100V,1A,DO-41,TP               |         |
| PBD1  | 0402-001258   | DIODE-BRIDGE;GBU606,600V,6A,SIP-4,BK                  |         |
| -   | 0403-000387   | DIODE-ZENER;UZP24B,24V,22,8-25.6V,1W,DO-41            |         |
| AQ17  | 0502-000303   | TR-POWER;KSD882,NPN,1W,TO-126,TP,160-32               |         |
| AQ18  | 0502-000303   | TR-POWER;KSD882,NPN,1W,TO-126,TP,160-32               |         |
| PQ7   | 0502-000407   | TR-POWER;KTC4369Y,NPN,15W,TO-220,BK,120               |         |
| AQ11  | 0503-001013   | TR-DARLINGTON;2SD2494,NPN,60W,TO-3P,BK,6500-20000     |         |
| AQ9   | 0503-001013   | TR-DARLINGTON;2SD2494,NPN,60W,TO-3P,BK,6500-20000     |         |
| PQ1   | 0503-001014   | TR-DARLINGTON;2SD2495,P-NPN,30W,TO-220F,BK,6500-20000 |         |
| AQ10  | 0503-001015   | TR-DARLINGTON;2SB1625-P,NPN,60W,TO-3P,BK,6500-20000   |         |
| AQ8   | 0503-001015   | TR-DARLINGTON;2SB1625-P,NPN,60W,TO-3P,BK,6500-20000   |         |
| DIC1  | 1201-000358   | IC-PREAMP;22291,DIP,24P,-,DUAL,-,PLASTIC              |         |
| PQ12  | 1203-000276   | IC-POSI.FIXED REG.,7805,TO-220,3P,-,PLASTIC,4.8/5     |         |
| FREE  | 1203-000300   | IC-POSI.FIXED REG.,7810,TO-220,3P,-,PLASTIC,9.6/11    |         |
| FIC4  | 1204-001465   | IC-VOLUME/TONE CONT.;TDA7440D,SOP,28,18.1,PLASTIC,1   |         |
| -   | 13954-100-310 | CERAMIC-PIPE;PH1.4 15MM WHT                           |         |
| AR1*2   | 13954-100-310 | CERAMIC-PIPE;PH1.4 15MM WHT                           |         |
| AR2*2   | 13954-100-310 | CERAMIC-PIPE;PH1.4 15MM WHT                           |         |
| AR2*2   | 13954-100-310 | CERAMIC-PIPE;PH1.4 15MM WHT                           |         |
| AR25*2  | 13954-100-310 | CERAMIC-PIPE;PH1.4 15MM WHT                           |         |
| -   | 13954-500-210 | CERAMIC-PIPE;PH1.4 7MM                                |         |
| AR28*2  | 13954-500-210 | CERAMIC-PIPE;PH1.4 7MM                                |         |
| AR5*2   | 13954-500-210 | CERAMIC-PIPE;PH1.4 7MM                                |         |
| PR3*2   | 13954-500-210 | CERAMIC-PIPE;PH1.4 7MM                                |         |
| AR28  | 2001-000028   | R-CARBON(S);100OHM,5%,1/2W,AA,TP,2.4X6.4MM            |         |
| AR5   | 2001-000028   | R-CARBON(S);100OHM,5%,1/2W,AA,TP,2.4X6.4MM            |         |
| AR1   | 2003-000390   | R-METAL OXIDE(S);0.27OHM,5%,2W,AA,TP,4X12MM           |         |
| AR2   | 2003-000390   | R-METAL OXIDE(S);0.27OHM,5%,2W,AA,TP,4X12MM           |         |
| AR24  | 2003-000390   | R-METAL OXIDE(S);0.27OHM,5%,2W,AA,TP,4X12MM           |         |

| Location no. | Code no.    | Description & Specification                        | Remarks |
|--------------|-------------|--|---------|
| AR25         | 2003-000390 | R-METAL OXIDE(S);0.27OHM,5%,2W,AA,TP,4X12MM        |         |
| PPR1         | 2003-000542 | R-METAL OXIDE(S);1ohm,5%,1W,AA,TP,3.3x9mm          |         |
| PR34         | 2003-000587 | R-METAL OXIDE(S);22ohm,5%,1W,AA,TP,3.3x9mm         |         |
| PR32         | 2003-000690 | R-METAL OXIDE(S);4.7ohm,5%,2W,AA,TP,4x12mm         |         |
| PR1          | 2003-000701 | R-METAL OXIDE(S);470ohm,5%,2W,AA,TP,4x12mm         |         |
| RC1          | 2201-000546 | C-CERAMIC,DISC;4.7NF,20%,400V,Y5U,BK,16X7,10       |         |
| RC2          | 2201-000546 | C-CERAMIC,DISC;4.7NF,20%,400V,Y5U,BK,16X7,10       |         |
| AC28         | 2401-000303 | C-L;100uF,20%,25V,GP,TP,6.3x11.5                   |         |
| PC18         | 2401-000830 | C-L;220uF,20%,25V,GP,TP,8x11.5,5.5                 |         |
| PC1          | 2401-002258 | C-L;4700UF,20%,50V,GP,BK,22X40MM,5                 |         |
| PC2          | 2401-002258 | C-L;4700UF,20%,50V,GP,BK,22X40MM,5                 |         |
| RF1          | 3601-000162 | FUSE-CARTRIDGE;250V,1.25A,TIME-LAG,GLASS,5x20mm    |         |
| RSW1         | 3711-000190 | CONNECTOR-HEADER;1WALL,2P,1R,7.92mm,STRAIGHT,SN    |         |
| ACW1         | 3711-000820 | CONNECTOR-HEADER;BOX,2P,1R,2.5mm,STRAIGHT,SN       |         |
| FCW1         | 3711-002809 | CONNECTOR-HEADER;BOX,8P,1R,2mm,STRAIGHT,SN         |         |
| FREE         | 3711-003097 | CONNECTOR-HEADER;NOWALL,10P,1R,1.25mm,ANGLE,SN     |         |
| CCW1         | 3711-003104 | CONNECTOR-HEADER;NOWALL,22P,1R,1.25mm,ANGLE,SN     |         |
| DCW1         | 3711-003107 | CONNECTOR-HEADER;BOX,3P,1R,2.5mm,STRAIGHT,SN       |         |
| DCW4         | 3711-003107 | CONNECTOR-HEADER;BOX,3P,1R,2.5mm,STRAIGHT,SN       |         |
| DCW2         | 3711-003111 | CONNECTOR-HEADER;BOX,6P,1R,2.5mm,-,BRAS            |         |
| PCW2         | 3711-003111 | CONNECTOR-HEADER;BOX,6P,1R,2.5mm,-,BRAS            |         |
| FCW2         | 3711-004109 | CONNECTOR-HEADER;3WALL,14P,1R,2mm,STRAIGHT,SN      |         |
| AJACK1       | 3716-000209 | TERMINAL-BLOCK;-,60V,7A                            |         |
| HJACK1       | 3722-000363 | JACK-PHONE;9P,4MM,AU,BLK,-                         |         |
| DL4          | AH26-10002G | TRANS-IF;JODT-N8002,BIAS-OSC,3.7MH,7.6X12.0,L610   |         |
| DL1          | AH26-10002Y | COIL-TRAP;FB875-85A,BIAS-TRAP,35DB,8.0,180PF,85KHZ |         |
| DL2          | AH26-10002Y | COIL-TRAP;FB875-85A,BIAS-TRAP,35DB,8.0,180PF,85KHZ |         |
| RL1          | AH27-10001F | COIL-CHOKE;27UH,K,Q30,-,DR(6.5*7.5),-,,-           |         |
| RL2          | AH27-10001F | COIL-CHOKE;27UH,K,Q30,-,DR(6.5*7.5),-,,-           |         |
| AAL1         | AH27-90001A | COIL-SPRING;2.2UH,-,SPRING                         |         |
| AAL2         | AH27-90001A | COIL-SPRING;2.2UH,-,SPRING                         |         |
| AL1          | AH27-90001A | COIL-SPRING;2.2UH,-,SPRING                         |         |
| AL2          | AH27-90001A | COIL-SPRING;2.2UH,-,SPRING                         |         |
| FAN          | AH31-10020A | FAN-DC;D0820B-12M,12VDC,0.16A,                     |         |
| PCW1         | AH39-00018A | LEAD-CONNECTOR ASSY;-,5264.51088,6P,300MM,1007#22  |         |
| CMD1         | AH39-00131A | LEAD CONNECTOR ASSY;-,DP,5264.5395,3P,250MM,2547   |         |
| DPCW1        | AH39-00131A | LEAD CONNECTOR ASSY;-,DP,5264.5395,3P,250MM,2547   |         |
| CON2         | AH39-50001L | LEAD-FASTEN;RING;1007#24,200MM,BLK                 |         |
| CON3         | AH39-50001L | LEAD-FASTEN;RING;1007#24,200MM,BLK                 |         |
| GND          | AH39-50001L | LEAD-FASTEN;RING;1007#24,200MM,BLK                 |         |
| TO           | AH39-50001L | LEAD-FASTEN;RING;1007#24,200MM,BLK                 |         |
| BRK1         | AH61-10767A | BRACKET-H;SINK,-,SPT,-,SEC1.0T,-,MAX940,-          |         |
| HE/SI        | AH62-32039A | HEAT SINK-M; AL,-,MAX940                           |         |
| AAD1         | 0401-000101 | DIODE-SWITCHING;1N4148,100V,200mA,DO-35,TP         |         |
| AAD2         | 0401-000101 | DIODE-SWITCHING;1N4148,100V,200mA,DO-35,TP         |         |
| AD1          | 0401-000101 | DIODE-SWITCHING;1N4148,100V,200mA,DO-35,TP         |         |
| AD2          | 0401-000101 | DIODE-SWITCHING;1N4148,100V,200mA,DO-35,TP         |         |
| AD3          | 0401-000101 | DIODE-SWITCHING;1N4148,100V,200mA,DO-35,TP         |         |
| AD4          | 0401-000101 | DIODE-SWITCHING;1N4148,100V,200mA,DO-35,TP         |         |
| AD5          | 0401-000101 | DIODE-SWITCHING;1N4148,100V,200mA,DO-35,TP         |         |
| DD1          | 0401-000101 | DIODE-SWITCHING;1N4148,100V,200mA,DO-35,TP         |         |
| DD2          | 0401-000101 | DIODE-SWITCHING;1N4148,100V,200mA,DO-35,TP         |         |
| DD3          | 0401-000101 | DIODE-SWITCHING;1N4148,100V,200mA,DO-35,TP         |         |
| DD5          | 0401-000101 | DIODE-SWITCHING;1N4148,100V,200mA,DO-35,TP         |         |
| DD6          | 0401-000101 | DIODE-SWITCHING;1N4148,100V,200mA,DO-35,TP         |         |
| FD2          | 0401-000101 | DIODE-SWITCHING;1N4148,100V,200mA,DO-35,TP         |         |
| FD3          | 0401-000101 | DIODE-SWITCHING;1N4148,100V,200mA,DO-35,TP         |         |
| PD7          | 0401-000101 | DIODE-SWITCHING;1N4148,100V,200mA,DO-35,TP         |         |
| AD2          | 0402-000127 | DIODE-RECTIFIER;1N4002,100V,1A,DO-41,TP            |         |
| FD1          | 0402-000127 | DIODE-RECTIFIER;1N4002,100V,1A,DO-41,TP            |         |
| PD1          | 0402-000127 | DIODE-RECTIFIER;1N4002,100V,1A,DO-41,TP            |         |
| PD4          | 0402-000127 | DIODE-RECTIFIER;1N4002,100V,1A,DO-41,TP            |         |
| PD6          | 0402-000151 | DIODE-RECTIFIER;1N5392,100V,1.5A,DO-15,TP          |         |
| PZD5         | 0403-000354 | DIODE-ZENER;UZ5.1B,5.1V,4.8-5.4V,500mW,DO-         |         |
| PZD9         | 0403-000358 | DIODE-ZENER;UZ5.6BSB,5.6V,5.46-5.7V,500mW          |         |
| FZD1         | 0403-000372 | DIODE-ZENER;UZP18M,18V,9.1V,8.5-9.6V,500mW         |         |
| PZD4         | 0403-000377 | DIODE-ZENER;UZP10B,10V,9.4-10.6V,1W,DO-41,         |         |
| PZD6         | 0403-000377 | DIODE-ZENER;UZP10B,10V,9.4-10.6V,1W,DO-41,         |         |
| PZD7         | 0403-000377 | DIODE-ZENER;UZP10B,10V,9.4-10.6V,1W,DO-41,         |         |
| PZD8         | 0403-000379 | DIODE-ZENER;UZP12B,12V,11.4-12.6V,1W,DO-41         |         |
| PZD3         | 0403-000396 | DIODE-ZENER;UZP6.8B,6.8V,6.4-7.2V,1W,DO-41         |         |
| PZD1         | 0403-000564 | DIODE-ZENER;TZP16A,16V,15.3-17.1V,1W,DO-41         |         |
| PZD2         | 0403-000564 | DIODE-ZENER;TZP16A,16V,15.3-17.1V,1W,DO-41         |         |
| DQ22         | 0501-000010 | TR-SMALL SIGNAL;KSC1008,NPN,800mW,TO-92,TP,120     |         |
| DQ7          | 0501-000010 | TR-SMALL SIGNAL;KSC1008,NPN,800mW,TO-92,TP,120     |         |
| DQ8          | 0501-000010 | TR-SMALL SIGNAL;KSC1008,NPN,800mW,TO-92,TP,120     |         |
| DQ9          | 0501-000010 | TR-SMALL SIGNAL;KSC1008,NPN,800mW,TO-92,TP,120     |         |
| FQ4          | 0501-000010 | TR-SMALL SIGNAL;KSC1008,NPN,800mW,TO-92,TP,120     |         |
| PQ3          | 0501-000010 | TR-SMALL SIGNAL;KSC1008,NPN,800mW,TO-92,TP,120     |         |
| PQ5          | 0501-000010 | TR-SMALL SIGNAL;KSC1008,NPN,800mW,TO-92,TP,120     |         |
| PQ6          | 0501-000010 | TR-SMALL SIGNAL;KSC1008,NPN,800mW,TO-92,TP,120     |         |
| AQ12         | 0501-000294 | TR-SMALL SIGNAL;KSA708-Y,PNP,800mW,TO-92,TP,12     |         |
| AQ4          | 0501-000294 | TR-SMALL SIGNAL;KSA708-Y,PNP,800mW,TO-92,TP,12     |         |
| PQ10         | 0501-000294 | TR-SMALL SIGNAL;KSA708-Y,PNP,800mW,TO-92,TP,12     |         |
| PQ8          | 0501-000294 | TR-SMALL SIGNAL;KSA708-Y,PNP,800mW,TO-92,TP,12     |         |
| AQ22         | 0501-000296 | TR-SMALL SIGNAL;KSA709-Y,PNP,800mW,TO-92,TP,12     |         |
| PQ17         | 0501-000331 | TR-SMALL SIGNAL;KSC1009-Y,NPN,800mW,TO-92,-,12     |         |
| AQ19         | 0501-000354 | TR-SMALL SIGNAL;KSC1845-F,NPN,500mW,TO-92,TP,3     |         |
| AQ2          | 0501-000354 | TR-SMALL SIGNAL;KSC1845-F,NPN,500mW,TO-92,TP,3     |         |
| AQ20         | 0501-000354 | TR-SMALL SIGNAL;KSC1845-F,NPN,500mW,TO-92,TP,3     |         |
| AQ3          | 0501-000354 | TR-SMALL SIGNAL;KSC1845-F,NPN,500mW,TO-92,TP,3     |         |
| DQ5          | 0501-000369 | TR-SMALL SIGNAL;KSC2331-Y,NPN,1W,TO-92L,-,120-     |         |
| AAQ1         | 0501-000398 | TR-SMALL SIGNAL;KSC945,NPN,250mW,TO-92,TP,120-     |         |



| Location no. | Code no.    | Description & Specification                   | Remarks | Location no. | Code no.    | Description & Specification                       | Remarks |
|--------------|-------------|---|---------|--------------|-------------|---|---------|
| PR13         | 2001-000591 | R-CARBON:3.9KOHM,5%,1/8W,AA,TP,1.8X3.2MM      |         | AC23         | 2201-000653 | C-CERAMIC,DISC:68pF,5%,50V,SL,TP,4.0X3.5mm,2      |         |
| DR1          | 2001-000613 | R-CARBON:3.9KOHM,5%,1/8W,AA,TP,1.8X3.2MM      |         | PC11         | 2201-000783 | C-CERAMIC,DISC:100nF,+80-20%,50V,Y5V,TP,8x3.5     |         |
| DR61         | 2001-000613 | R-CARBON:3.9KOHM,5%,1/8W,AA,TP,1.8X3.2MM      |         | PC12         | 2201-000783 | C-CERAMIC,DISC:100nF,+80-20%,50V,Y5V,TP,8x3.5     |         |
| FREE         | 2001-000702 | R-CARBON:39KOHM,5%,1/8W,AA,TP,1.8X3.2MM       |         | PC13         | 2201-000783 | C-CERAMIC,DISC:100nF,+80-20%,50V,Y5V,TP,8x3.5     |         |
| PR27         | 2001-000702 | R-CARBON:39KOHM,5%,1/8W,AA,TP,1.8X3.2MM       |         | AAC26        | 2202-000781 | C-CERAMIC,MLC-AXIAL:100pF,10%,50V,Y5P,TP,3.5x1.9- |         |
| DR54         | 2001-000708 | R-CARBON:39KOHM,5%,1/8W,AA,TP,1.8X3.2MM       |         | AAC27        | 2202-000781 | C-CERAMIC,MLC-AXIAL:100pF,10%,50V,Y5P,TP,3.5x1.9- |         |
| DR14         | 2001-000734 | R-CARBON:4.7KOHM,5%,1/8W,AA,TP,1.8X3.2MM      |         | DC11         | 2202-000781 | C-CERAMIC,MLC-AXIAL:100pF,10%,50V,Y5P,TP,3.5x1.9- |         |
| DR23         | 2001-000734 | R-CARBON:4.7KOHM,5%,1/8W,AA,TP,1.8X3.2MM      |         | DC15         | 2202-000781 | C-CERAMIC,MLC-AXIAL:100pF,10%,50V,Y5P,TP,3.5x1.9- |         |
| DR41         | 2001-000734 | R-CARBON:4.7KOHM,5%,1/8W,AA,TP,1.8X3.2MM      |         | DC42         | 2202-000781 | C-CERAMIC,MLC-AXIAL:100pF,10%,50V,Y5P,TP,3.5x1.9- |         |
| DR67         | 2001-000734 | R-CARBON:4.7KOHM,5%,1/8W,AA,TP,1.8X3.2MM      |         | DC55         | 2202-000781 | C-CERAMIC,MLC-AXIAL:100pF,10%,50V,Y5P,TP,3.5x1.9- |         |
| ER1          | 2001-000734 | R-CARBON:4.7KOHM,5%,1/8W,AA,TP,1.8X3.2MM      |         | DC56         | 2202-000781 | C-CERAMIC,MLC-AXIAL:100pF,10%,50V,Y5P,TP,3.5x1.9- |         |
| FR13         | 2001-000734 | R-CARBON:4.7KOHM,5%,1/8W,AA,TP,1.8X3.2MM      |         | DC9          | 2202-000781 | C-CERAMIC,MLC-AXIAL:100pF,10%,50V,Y5P,TP,3.5x1.9- |         |
| FR18         | 2001-000734 | R-CARBON:4.7KOHM,5%,1/8W,AA,TP,1.8X3.2MM      |         | ECA1         | 2202-000781 | C-CERAMIC,MLC-AXIAL:100pF,10%,50V,Y5P,TP,3.5x1.9- |         |
| FR3          | 2001-000734 | R-CARBON:4.7KOHM,5%,1/8W,AA,TP,1.8X3.2MM      |         | ECA2         | 2202-000781 | C-CERAMIC,MLC-AXIAL:100pF,10%,50V,Y5P,TP,3.5x1.9- |         |
| FR54         | 2001-000734 | R-CARBON:4.7KOHM,5%,1/8W,AA,TP,1.8X3.2MM      |         | FC46         | 2202-000781 | C-CERAMIC,MLC-AXIAL:100pF,10%,50V,Y5P,TP,3.5x1.9- |         |
| PR20         | 2001-000734 | R-CARBON:4.7KOHM,5%,1/8W,AA,TP,1.8X3.2MM      |         | FC47         | 2202-000781 | C-CERAMIC,MLC-AXIAL:100pF,10%,50V,Y5P,TP,3.5x1.9- |         |
| DR66         | 2001-000773 | R-CARBON:4.7KOHM,5%,1/8W,AA,TP,1.8X3.2MM      |         | FTC8         | 2202-000781 | C-CERAMIC,MLC-AXIAL:100pF,10%,50V,Y5P,TP,3.5x1.9- |         |
| AR31         | 2001-000786 | R-CARBON:47KOHM,5%,1/8W,AA,TP,1.8X3.2MM       |         | FTC9         | 2202-000781 | C-CERAMIC,MLC-AXIAL:100pF,10%,50V,Y5P,TP,3.5x1.9- |         |
| AR52         | 2001-000786 | R-CARBON:47KOHM,5%,1/8W,AA,TP,1.8X3.2MM       |         | DC3          | 2202-000796 | C-CERAMIC,MLC-AXIAL:1nF,10%,50V,Y5P,TP,3.5x1.9-   |         |
| AR53         | 2001-000786 | R-CARBON:47KOHM,5%,1/8W,AA,TP,1.8X3.2MM       |         | DC52         | 2202-000806 | C-CERAMIC,MLC-AXIAL:220pF,10%,50V,Y5P,TP,3.5x1.9- |         |
| AR9          | 2001-000786 | R-CARBON:47KOHM,5%,1/8W,AA,TP,1.8X3.2MM       |         | DC53         | 2202-000806 | C-CERAMIC,MLC-AXIAL:220pF,10%,50V,Y5P,TP,3.5x1.9- |         |
| DR10         | 2001-000786 | R-CARBON:47KOHM,5%,1/8W,AA,TP,1.8X3.2MM       |         | FC1          | 2202-000806 | C-CERAMIC,MLC-AXIAL:220pF,10%,50V,Y5P,TP,3.5x1.9- |         |
| DR26         | 2001-000786 | R-CARBON:47KOHM,5%,1/8W,AA,TP,1.8X3.2MM       |         | FC6          | 2202-000806 | C-CERAMIC,MLC-AXIAL:220pF,10%,50V,Y5P,TP,3.5x1.9- |         |
| DR44         | 2001-000786 | R-CARBON:47KOHM,5%,1/8W,AA,TP,1.8X3.2MM       |         | AAC28        | 2202-000820 | C-CERAMIC,MLC-AXIAL:5.6NF,20%,16V,Y5R,TP,3.5x1.9- |         |
| DR56         | 2001-000786 | R-CARBON:47KOHM,5%,1/8W,AA,TP,1.8X3.2MM       |         | AAC29        | 2202-000820 | C-CERAMIC,MLC-AXIAL:5.6NF,20%,16V,Y5R,TP,3.5x1.9- |         |
| DR63         | 2001-000786 | R-CARBON:47KOHM,5%,1/8W,AA,TP,1.8X3.2MM       |         | DC20         | 2202-000847 | C-CERAMIC,MLC-AXIAL:1.8NF,30%,50V,Y5S,TP,3.5x1.9  |         |
| DR7          | 2001-000786 | R-CARBON:47KOHM,5%,1/8W,AA,TP,1.8X3.2MM       |         | DC21         | 2202-000847 | C-CERAMIC,MLC-AXIAL:1.8NF,30%,50V,Y5S,TP,3.5x1.9  |         |
| FR15         | 2001-000786 | R-CARBON:47KOHM,5%,1/8W,AA,TP,1.8X3.2MM       |         | DC30         | 2202-000847 | C-CERAMIC,MLC-AXIAL:1.8NF,30%,50V,Y5S,TP,3.5x1.9  |         |
| FR17         | 2001-000786 | R-CARBON:47KOHM,5%,1/8W,AA,TP,1.8X3.2MM       |         | DC31         | 2202-000847 | C-CERAMIC,MLC-AXIAL:1.8NF,30%,50V,Y5S,TP,3.5x1.9  |         |
| FR28         | 2001-000786 | R-CARBON:47KOHM,5%,1/8W,AA,TP,1.8X3.2MM       |         | DC57         | 2202-000854 | C-CERAMIC,MLC-AXIAL:47NF,30%,50V,Y5R,TP,3.5x1.9-  |         |
| FR29         | 2001-000786 | R-CARBON:47KOHM,5%,1/8W,AA,TP,1.8X3.2MM       |         | FREE         | 2202-000854 | C-CERAMIC,MLC-AXIAL:47NF,30%,50V,Y5R,TP,3.5x1.9-  |         |
| FR42         | 2001-000786 | R-CARBON:47KOHM,5%,1/8W,AA,TP,1.8X3.2MM       |         | DC22         | 2301-000383 | C-FILM,PEF:10nF,5%,50V,TP,6x7x3.2mm,5mm           |         |
| FR44         | 2001-000786 | R-CARBON:47KOHM,5%,1/8W,AA,TP,1.8X3.2MM       |         | FC33         | 2301-000383 | C-FILM,PEF:10nF,5%,50V,TP,6x7x3.2mm,5mm           |         |
| FR48         | 2001-000786 | R-CARBON:47KOHM,5%,1/8W,AA,TP,1.8X3.2MM       |         | OC3          | 2301-000383 | C-FILM,PEF:10nF,5%,50V,TP,6x7x3.2mm,5mm           |         |
| FR49         | 2001-000786 | R-CARBON:47KOHM,5%,1/8W,AA,TP,1.8X3.2MM       |         | DC18         | 2301-000390 | C-FILM,PEF:15NF,10%,50V,TP,6.5X9X3.5MM,5M         |         |
| FR5          | 2001-000786 | R-CARBON:47KOHM,5%,1/8W,AA,TP,1.8X3.2MM       |         | DC23         | 2301-000390 | C-FILM,PEF:15NF,10%,50V,TP,6.5X9X3.5MM,5M         |         |
| FR7          | 2001-000786 | R-CARBON:47KOHM,5%,1/8W,AA,TP,1.8X3.2MM       |         | DC35         | 2301-000390 | C-FILM,PEF:15NF,10%,50V,TP,6.5X9X3.5MM,5M         |         |
| PR30         | 2001-000786 | R-CARBON:47KOHM,5%,1/8W,AA,TP,1.8X3.2MM       |         | DC34         | 2301-000396 | C-FILM,PEF:18NF,5%,50V,TP,7X12X4.4MM              |         |
| PR33         | 2001-000786 | R-CARBON:47KOHM,5%,1/8W,AA,TP,1.8X3.2MM       |         | DC8          | 2301-000396 | C-FILM,PEF:18NF,5%,50V,TP,7X12X4.4MM              |         |
| DR65         | 2001-000793 | R-CARBON:47OHM,5%,1/8W,AA,TP,1.8X3.2MM        |         | DC4          | 2301-000401 | C-FILM,PEF:1NF,5%,50V,TP,5.5X12X3.3MM             |         |
| FR45         | 2001-000793 | R-CARBON:47OHM,5%,1/8W,AA,TP,1.8X3.2MM        |         | DC44         | 2301-000401 | C-FILM,PEF:1NF,5%,50V,TP,5.5X12X3.3MM             |         |
| PR24         | 2001-000793 | R-CARBON:47OHM,5%,1/8W,AA,TP,1.8X3.2MM        |         | DC59         | 2301-000404 | C-FILM,PEF:2.2NF,10%,50V,TP,5.5X7X3.2MM,5         |         |
| -            | 2001-000802 | R-CARBON:5.6Kohm,5%,1/8W,AA,TP,1.8x3.2m       |         | FC10         | 2301-000412 | C-FILM,PEF:22NF,10%,50V,TP,6.5X10.5X4MM,5         |         |
| DR53         | 2001-000802 | R-CARBON:5.6Kohm,5%,1/8W,AA,TP,1.8x3.2m       |         | FC12         | 2301-000412 | C-FILM,PEF:22NF,10%,50V,TP,6.5X10.5X4MM,5         |         |
| FR45         | 2001-000802 | R-CARBON:5.6Kohm,5%,1/8W,AA,TP,1.8x3.2m       |         | FC13         | 2301-000412 | C-FILM,PEF:22NF,10%,50V,TP,6.5X10.5X4MM,5         |         |
| FR47         | 2001-000802 | R-CARBON:5.6Kohm,5%,1/8W,AA,TP,1.8x3.2m       |         | FC38         | 2301-000419 | C-FILM,PEF:27nF,10%,50V,TP,7.5x10.5x4mm,5         |         |
| AR12         | 2001-000864 | R-CARBON:56KOHM,5%,1/8W,AA,TP,1.8X3.2MM       |         | FC39         | 2301-000419 | C-FILM,PEF:27nF,10%,50V,TP,7.5x10.5x4mm,5         |         |
| AR17         | 2001-000864 | R-CARBON:56KOHM,5%,1/8W,AA,TP,1.8X3.2MM       |         | DC17         | 2301-000428 | C-FILM,PEF:3.9nF,5%,50V,TP,5.5x12x3.3mm           |         |
| AR35         | 2001-000864 | R-CARBON:56KOHM,5%,1/8W,AA,TP,1.8X3.2MM       |         | DC50         | 2301-000428 | C-FILM,PEF:3.9nF,5%,50V,TP,5.5x12x3.3mm           |         |
| AR46         | 2001-000864 | R-CARBON:56KOHM,5%,1/8W,AA,TP,1.8X3.2MM       |         | DC25         | 2301-000446 | C-FILM,PEF:4.7NF,5%,50V,TP,6X12X3.3,5MM           |         |
| DR64         | 2001-000864 | R-CARBON:56KOHM,5%,1/8W,AA,TP,1.8X3.2MM       |         | PC23         | 2301-000449 | C-FILM,PEF:4.7NF,10%,50V,TP,8X11X4.5MM,5MM        |         |
| FR41         | 2001-000864 | R-CARBON:56KOHM,5%,1/8W,AA,TP,1.8X3.2MM       |         | DC37         | 2301-000475 | C-FILM,PEF:8.2nF,5%,50V,TP,6.5x12x3.5,3.5         |         |
| FR43         | 2001-000864 | R-CARBON:56KOHM,5%,1/8W,AA,TP,1.8X3.2MM       |         | DC5          | 2301-000475 | C-FILM,PEF:8.2nF,5%,50V,TP,6.5x12x3.5,3.5         |         |
| DR51         | 2001-000890 | R-CARBON:6.8KOHM,5%,1/8W,AA,TP,1.8X3.2MM      |         | AC11         | 2303-000312 | C-FILM,PPF:100nF,5%,63V,TP,7.5x12.5x3.5,5.5       |         |
| PR6          | 2001-000890 | R-CARBON:6.8KOHM,5%,1/8W,AA,TP,1.8X3.2MM      |         | AC8          | 2303-000312 | C-FILM,PPF:100nF,5%,63V,TP,7.5x12.5x3.5,5.5       |         |
| AR13         | 2001-000924 | R-CARBON:680OHM,5%,1/8W,AA,TP,1.8X3.2MM       |         | DC12         | 2303-000312 | C-FILM,PPF:100nF,5%,63V,TP,7.5x12.5x3.5,5.5       |         |
| AR36         | 2001-000924 | R-CARBON:680OHM,5%,1/8W,AA,TP,1.8X3.2MM       |         | DC38         | 2303-000312 | C-FILM,PPF:100nF,5%,63V,TP,7.5x12.5x3.5,5.5       |         |
| DR16         | 2001-000924 | R-CARBON:680OHM,5%,1/8W,AA,TP,1.8X3.2MM       |         | FC22         | 2303-000312 | C-FILM,PPF:100nF,5%,63V,TP,7.5x12.5x3.5,5.5       |         |
| DR45         | 2001-000924 | R-CARBON:680OHM,5%,1/8W,AA,TP,1.8X3.2MM       |         | FC23         | 2303-000312 | C-FILM,PPF:100nF,5%,63V,TP,7.5x12.5x3.5,5.5       |         |
| OR1          | 2001-000938 | R-CARBON:680OHM,5%,1/8W,AA,TP,1.8X3.2MM       |         | FC34         | 2303-000312 | C-FILM,PPF:100nF,5%,63V,TP,7.5x12.5x3.5,5.5       |         |
| DR18         | 2001-000977 | R-CARBON:8.2KOHM,5%,1/8W,AA,TP,1.8X3.2MM      |         | FC35         | 2303-000312 | C-FILM,PPF:100nF,5%,63V,TP,7.5x12.5x3.5,5.5       |         |
| DR74         | 2001-000977 | R-CARBON:8.2KOHM,5%,1/8W,AA,TP,1.8X3.2MM      |         | FC36         | 2303-000312 | C-FILM,PPF:100nF,5%,63V,TP,7.5x12.5x3.5,5.5       |         |
| AR29         | 2001-000995 | R-CARBON:820OHM,5%,1/8W,AA,TP,1.8X3.2MM       |         | FC37         | 2303-000312 | C-FILM,PPF:100nF,5%,63V,TP,7.5x12.5x3.5,5.5       |         |
| AR7          | 2001-000995 | R-CARBON:820OHM,5%,1/8W,AA,TP,1.8X3.2MM       |         | PC11         | 2303-000312 | C-FILM,PPF:100nF,5%,63V,TP,7.5x12.5x3.5,5.5       |         |
| DR2          | 2001-001006 | R-CARBON:820OHM,5%,1/8W,AA,TP,1.8X3.2MM       |         | PC12         | 2303-000312 | C-FILM,PPF:100nF,5%,63V,TP,7.5x12.5x3.5,5.5       |         |
| DR60         | 2001-001006 | R-CARBON:820OHM,5%,1/8W,AA,TP,1.8X3.2MM       |         | PC13         | 2303-000312 | C-FILM,PPF:100nF,5%,63V,TP,7.5x12.5x3.5,5.5       |         |
| PR29         | 2001-001093 | R-CARBON(S):2.2KOHM,5%,1/2W,AA,TP,2.4x6.4MM   |         | DC2          | 2401-000240 | C-AL:100uF,20%,10V,GP,TP,5x11.5                   |         |
| DR33         | 2001-001096 | R-CARBON(S):2.2OHM,5%,1/2W,AA,TP,2.4x6.4MM    |         | DC36         | 2401-000240 | C-AL:100uF,20%,10V,GP,TP,5x11.5                   |         |
| AR11         | 2001-001107 | R-CARBON(S):220ohm,5%,1/2W,AA,TP,2.4x6.4mm    |         | PC25         | 2401-000240 | C-AL:100uF,20%,10V,GP,TP,5x11.5                   |         |
| AR33         | 2001-001107 | R-CARBON(S):220ohm,5%,1/2W,AA,TP,2.4x6.4mm    |         | AC14         | 2401-000357 | C-AL:100UF,20%,50V,GP,8X11.5,3.5M                 |         |
| PR16         | 2001-001153 | R-CARBON(S):47ohm,5%,1/2W,AA,TP,2.4x6.4mm     |         | AC18         | 2401-000357 | C-AL:100UF,20%,50V,GP,8X11.5,3.5M                 |         |
| PR2          | 2001-001153 | R-CARBON(S):47ohm,5%,1/2W,AA,TP,2.4x6.4mm     |         | AC6          | 2401-000357 | C-AL:100UF,20%,50V,GP,8X11.5,3.5M                 |         |
| PR3          | 2001-001153 | R-CARBON(S):47ohm,5%,1/2W,AA,TP,2.4x6.4mm     |         | PC4          | 2401-000357 | C-AL:100UF,20%,50V,GP,8X11.5,3.5M                 |         |
| PR3          | 2003-000429 | R-METAL OXIDE(S):1.5Kohm,5%,2W,AA,TP,4x12mm   |         | PC6          | 2401-000475 | C-AL:10UF,20%,50V,GP,5X11.2,5MM                   |         |
| AR26         | 2003-000468 | R-METAL OXIDE(S):10ohm,5%,1W,AA,TP,3.3x9mm    |         | DC51         | 2401-000795 | C-AL:220UF,20%,16V,GP,8X11.5,3.5M                 |         |
| AR3          | 2003-000468 | R-METAL OXIDE(S):10ohm,5%,1W,AA,TP,3.3x9mm    |         | PC15         | 2401-000795 | C-AL:220UF,20%,16V,GP,8X11.5,3.5M                 |         |
| DVR1         | 2103-000248 | VR-SEMI:200KOHM,30%,1/10W, TOP                |         | DC13         | 2401-001019 | C-AL:3.3UF,20%,50V,GP,5X7,1.5MM                   |         |
| DVR2         | 2103-000248 | VR-SEMI:200KOHM,30%,1/10W, TOP                |         | DC16         | 2401-001019 | C-AL:3.3UF,20%,50V,GP,5X7,1.5MM                   |         |
| DVR4         | 2103-000492 | VR-SEMI:5KOHM,30%,1/10W, TOP                  |         | DC32         | 2401-001019 | C-AL:3.3UF,20%,50V,GP,5X7,1.5MM                   |         |
| AAC2         | 2201-000205 | C-CERAMIC,DISC:10PF,5%,50V,RH,TP,5X3.5        |         | DC41         | 2401-001019 | C-AL:3.3UF,20%,50V,GP,5X7,1.5MM                   |         |
| AAC4         | 2201-000205 | C-CERAMIC,DISC:10PF,5%,50V,RH,TP,5X3.5        |         | DC47         | 2401-001019 | C-AL:3.3UF,20%,50V,GP,5X7,1.5MM                   |         |
| AC22         | 2201-000338 | C-CERAMIC,DISC:2.2NF,20%,50V,Y5T,TP,5.0X3.0,5 |         | DC7          | 2401-001019 | C-AL:3.3UF,20%,50V,GP,5X7,1.5MM                   |         |
| AC4          | 2201-000338 | C-CERAMIC,DISC:2.2NF,20%,50V,Y5T,TP,5.0X3.0,5 |         | DC1          | 2401-001080 | C-AL:330nF,20%,50V,GP,5x11.2mm                    |         |
| FC29         | 2201-000377 | C-CERAMIC,DISC:220PF,5%,50V,UJ,TP,8.0X3.0,5   |         | DC45         | 2401-001080 | C-AL:330nF,20%,50V,GP,5x11.2mm                    |         |
| FC30         | 2201-000377 | C-CERAMIC,DISC:220PF,5%,50V,UJ,TP,8.0X3.0,5   |         | AC25         | 2401-001538 | C-AL:47UF,20%,25V,GP,6X11.2,5MM                   |         |
| FREE         | 2201-000483 | C-CERAMIC,DISC:0.033nF,5%,50V,NP0,TP,5x3.5,5  |         | AC28         | 2401-001538 | C-AL:47UF,20%,25V,GP,6X11.2,5MM                   |         |
| RC1          | 2201-000547 | C-CERAMIC,DIS                                 |         |              |             |   |         |



**Location no. Code no. Description & Specification Remarks**

|      |             |  |  |
|------|-------------|--|--|
| PC9  | 2401-001538 | C-AL:47UF,20%,25V,GP,-,6X11,2.5MM              |  |
| AAC1 | 2401-001572 | C-AL:47UF,20%,50V,GP,-,6.3X11,2.5MM            |  |
| AAC3 | 2401-001572 | C-AL:47UF,20%,50V,GP,-,6.3X11,2.5MM            |  |
| AC17 | 2401-001572 | C-AL:47UF,20%,50V,GP,-,6.3X11,2.5MM            |  |
| AC5  | 2401-001572 | C-AL:47UF,20%,50V,GP,-,6.3X11,2.5MM            |  |
| PC10 | 2401-001572 | C-AL:47UF,20%,50V,GP,-,6.3X11,2.5MM            |  |
| PC21 | 2401-001572 | C-AL:47UF,20%,50V,GP,-,6.3X11,2.5MM            |  |
| AC19 | 2401-001887 | C-AL:100nF,20%,50V,-,TP,4x7mm,5                |  |
| AC2  | 2401-001887 | C-AL:100nF,20%,50V,-,TP,4x7mm,5                |  |
| DC24 | 2401-001895 | C-AL:100uF,20%,16V,GP,6.3x11mm,2.5m            |  |
| AC13 | 2401-001912 | C-AL:1uF,20%,50V,GP,5x11mm,2mm,BK              |  |
| AC7  | 2401-001912 | C-AL:1uF,20%,50V,GP,5x11mm,2mm,BK              |  |
| DC28 | 2401-001912 | C-AL:1uF,20%,50V,GP,5x11mm,2mm,BK              |  |
| DC54 | 2401-001912 | C-AL:1uF,20%,50V,GP,5x11mm,2mm,BK              |  |
| DC58 | 2401-001912 | C-AL:1uF,20%,50V,GP,5x11mm,2mm,BK              |  |
| FC11 | 2401-001912 | C-AL:1uF,20%,50V,GP,5x11mm,2mm,BK              |  |
| FC43 | 2401-001912 | C-AL:1uF,20%,50V,GP,5x11mm,2mm,BK              |  |
| FC9  | 2401-001912 | C-AL:1uF,20%,50V,GP,5x11mm,2mm,BK              |  |
| PAC1 | 2401-001912 | C-AL:1uF,20%,50V,GP,5x11mm,2mm,BK              |  |
| PC5  | 2401-001912 | C-AL:1uF,20%,50V,GP,5x11mm,2mm,BK              |  |
| AC15 | 2401-001938 | C-AL:22UF,20%,25V,GP,BK,5X11MM,2MM             |  |
| AC3  | 2401-001938 | C-AL:22UF,20%,25V,GP,BK,5X11MM,2MM             |  |
| AC1  | 2401-001952 | C-AL:4.7UF,20%,50V,-,TP,6.3X7,5                |  |
| AC16 | 2401-001952 | C-AL:4.7UF,20%,50V,-,TP,6.3X7,5                |  |
| DC40 | 2401-001952 | C-AL:4.7UF,20%,50V,-,TP,6.3X7,5                |  |
| FC2  | 2401-001952 | C-AL:4.7UF,20%,50V,-,TP,6.3X7,5                |  |
| FC3  | 2401-001952 | C-AL:4.7UF,20%,50V,-,TP,6.3X7,5                |  |
| FC4  | 2401-001952 | C-AL:4.7UF,20%,50V,-,TP,6.3X7,5                |  |
| FC41 | 2401-001952 | C-AL:4.7UF,20%,50V,-,TP,6.3X7,5                |  |
| FC42 | 2401-001952 | C-AL:4.7UF,20%,50V,-,TP,6.3X7,5                |  |
| FC45 | 2401-001952 | C-AL:4.7UF,20%,50V,-,TP,6.3X7,5                |  |
| FC5  | 2401-001952 | C-AL:4.7UF,20%,50V,-,TP,6.3X7,5                |  |
| PC14 | 2401-001952 | C-AL:4.7UF,20%,50V,-,TP,6.3X7,5                |  |
| FC40 | 2401-001954 | C-AL:4.7UF,20%,50V,GP,BK,5X11MM,5              |  |
| DC14 | 2401-001975 | C-AL:47UF,20%,16V,GP,TP,5X11MM,5               |  |
| DC43 | 2401-001975 | C-AL:47UF,20%,16V,GP,TP,5X11MM,5               |  |
| FC15 | 2401-001975 | C-AL:47UF,20%,16V,GP,TP,5X11MM,5               |  |
| FC16 | 2401-001975 | C-AL:47UF,20%,16V,GP,TP,5X11MM,5               |  |
| FC44 | 2401-001975 | C-AL:47UF,20%,16V,GP,TP,5X11MM,5               |  |
| PC8  | 2401-001975 | C-AL:47UF,20%,16V,GP,TP,5X11MM,5               |  |
| FC20 | 2401-001989 | C-AL:4.7uF,20%,50V,BP,TP,5x11,5                |  |
| FC21 | 2401-001989 | C-AL:4.7uF,20%,50V,BP,TP,5x11,5                |  |
| DC10 | 2401-002180 | C-AL:2.2UF,20%,50V,GP,TP,5X11,5MM              |  |
| DC39 | 2401-002180 | C-AL:2.2UF,20%,50V,GP,TP,5X11,5MM              |  |
| DC48 | 2401-002180 | C-AL:2.2UF,20%,50V,GP,TP,5X11,5MM              |  |
| DC49 | 2401-002180 | C-AL:2.2UF,20%,50V,GP,TP,5X11,5MM              |  |
| FC25 | 2401-002180 | C-AL:2.2UF,20%,50V,GP,TP,5X11,5MM              |  |
| FC26 | 2401-002180 | C-AL:2.2UF,20%,50V,GP,TP,5X11,5MM              |  |
| FC27 | 2401-002180 | C-AL:2.2UF,20%,50V,GP,TP,5X11,5MM              |  |
| FC28 | 2401-002180 | C-AL:2.2UF,20%,50V,GP,TP,5X11,5MM              |  |
| FC31 | 2401-002180 | C-AL:2.2UF,20%,50V,GP,TP,5X11,5MM              |  |
| FC32 | 2401-002180 | C-AL:2.2UF,20%,50V,GP,TP,5X11,5MM              |  |
| FREE | 2401-002180 | C-AL:2.2UF,20%,50V,GP,TP,5X11,5MM              |  |
| PL1  | 2701-000116 | INDUCTOR-AXIAL:10uH,10%,4.2x9.8mm              |  |
| AL3  | 2701-000298 | INDUCTOR-AXIAL:470uH,10%,4.2x9.8mm             |  |
| DL3  | 2701-000298 | INDUCTOR-AXIAL:470uH,10%,4.2x9.8mm             |  |
| PL4  | 2701-000298 | INDUCTOR-AXIAL:470uH,10%,4.2x9.8mm             |  |
| RF1  | 3602-000147 | FUSE-CLIP,250V,7.5A,30MOHM                     |  |
| RF2  | 3602-000147 | FUSE-CLIP,250V,7.5A,30MOHM                     |  |
|      | 3811-000389 | WIRE-NO SHEATH CU;SPCW,300V,52.4MM,1/0.5MM,-,- |  |

**AH94-00150A ASSY-MANU;MAX934MD,MANU-MD**

**S.N.A.**

|       |             |   |  |
|-------|-------------|---|--|
| DD1   | 0401-000101 | DIODE-SWITCHING;1N4148,100V,200mA,DO-35,TP              |  |
| DD2   | 0401-000101 | DIODE-SWITCHING;1N4148,100V,200mA,DO-35,TP              |  |
| DD3   | 0401-000101 | DIODE-SWITCHING;1N4148,100V,200mA,DO-35,TP              |  |
| DD4   | 0401-000101 | DIODE-SWITCHING;1N4148,100V,200mA,DO-35,TP              |  |
| DD5   | 0401-000101 | DIODE-SWITCHING;1N4148,100V,200mA,DO-35,TP              |  |
| DD7   | 0401-000101 | DIODE-SWITCHING;1N4148,100V,200mA,DO-35,TP              |  |
| DD8   | 0401-000101 | DIODE-SWITCHING;1N4148,100V,200mA,DO-35,TP              |  |
| DE6   | 0401-000101 | DIODE-SWITCHING;1N4148,100V,200mA,DO-35,TP              |  |
| DD22  | 0403-000342 | DIODE-ZENER,UZ3,6BSA,3.6V,3.47-3.68V,500mW              |  |
| DD21  | 0403-000344 | DIODE-ZENER,UZ3,9B,3.9V,3.7-4.1V,500mW                  |  |
| DQ11  | 0501-000314 | TR-SMALL SIGNAL;KSA812,P,NP,150mW,SOT-23,TP,90          |  |
| DQ12  | 0501-000314 | TR-SMALL SIGNAL;KSA812,P,NP,150mW,SOT-23,TP,90          |  |
| DQ4   | 0501-000314 | TR-SMALL SIGNAL;KSA812,P,NP,150mW,SOT-23,TP,90          |  |
| DQ7   | 0501-000314 | TR-SMALL SIGNAL;KSA812,P,NP,150mW,SOT-23,TP,90          |  |
| DQ13  | 0501-000341 | TR-SMALL SIGNAL;KSC1623-L,NPN,200mW,SOT-23,TP           |  |
| DQ14  | 0501-000341 | TR-SMALL SIGNAL;KSC1623-L,NPN,200mW,SOT-23,TP           |  |
| DQ2   | 0501-000341 | TR-SMALL SIGNAL;KSC1623-L,NPN,200mW,SOT-23,TP           |  |
| DQ3   | 0501-000341 | TR-SMALL SIGNAL;KSC1623-L,NPN,200mW,SOT-23,TP           |  |
| DQ6   | 0501-000341 | TR-SMALL SIGNAL;KSC1623-L,NPN,200mW,SOT-23,TP           |  |
| DQ8   | 0501-000341 | TR-SMALL SIGNAL;KSC1623-L,NPN,200mW,SOT-23,TP           |  |
| DQ10  | 0504-000128 | TR-DIGITAL;-NPN,200mW,22K/22K,SOT-23,TP                 |  |
| DQ10A | 0504-000128 | TR-DIGITAL;-NPN,200mW,22K/22K,SOT-23,TP                 |  |
| DQ5   | 0504-000128 | TR-DIGITAL;-NPN,200mW,22K/22K,SOT-23,TP                 |  |
| DQ9   | 0504-000128 | TR-DIGITAL;-NPN,200mW,22K/22K,SOT-23,TP                 |  |
| DQ1   | 0504-000156 | TR-DIGITAL;KSR2103,P,NP,200mW,22K/22K,SOT-23,TP         |  |
| DIC7  | 0801-002312 | IC-CMOS LOGIC;74HC4094,SHIFT REGISTER,SOP,16            |  |
| DIC5  | 0801-002450 | IC-CMOS LOGIC;74HCT7007,HEX BUFFER,DIP,14P,300MILL,-,ST |  |
| DIC6  | 0801-002450 | IC-CMOS LOGIC;74HCT7007,HEX BUFFER,DIP,14P,300MILL,-,ST |  |
| DIC3  | 0801-002452 | IC-CMOS LOGIC;74HCT373,LATCH 3-STATE OUTPUT,SOP,20P,20  |  |
| DIC8  | 0801-002453 | IC-CMOS LOGIC;74HC125,BUS BUFFER,SOP,14P,200MILL,QUAD,T |  |
| DIC4  | 0801-002454 | IC-CMOS LOGIC;74HC125,BUS BUFFER,SOP,14P,200MILL,QUAD,S |  |

**Location no. Code no. Description & Specification Remarks**

|        |               |   |  |
|--------|---------------|---|--|
| DIC9   | 1003-001162   | IC-MOTOR DRIVER;KA3082,SIP,10PIN,25MIL,DOUBLE   |  |
| DIC13  | 1203-001252   | IC-VOL. DETECTOR;7545,TO-92,3P,-,PLASTIC,-,200m |  |
|        | 19999-331-856 | FIBER-SHEET;11"3.8"10.5T                        |  |
| DR49   | 2007-000030   | R-CHIP;560OHM,5%,1/10W,DA,TP,2012               |  |
| DR109  | 2007-000221   | R-CHIP;1.2KOHM,5%,1/10W,DA,TP,2012              |  |
| DR109A | 2007-000221   | R-CHIP;1.2KOHM,5%,1/10W,DA,TP,2012              |  |
| DR93   | 2007-000221   | R-CHIP;1.2KOHM,5%,1/10W,DA,TP,2012              |  |
| DR94   | 2007-000221   | R-CHIP;1.2KOHM,5%,1/10W,DA,TP,2012              |  |
| DR6    | 2007-000241   | R-CHIP;1.5KOHM,5%,1/10W,DA,TP,2012              |  |
| DR6A   | 2007-000241   | R-CHIP;1.5KOHM,5%,1/10W,DA,TP,2012              |  |
| DR27   | 2007-000267   | R-CHIP;1.8KOHM,5%,1/10W,DA,TP,2012              |  |
| DR5    | 2007-000267   | R-CHIP;1.8KOHM,5%,1/10W,DA,TP,2012              |  |
| DR7    | 2007-000267   | R-CHIP;1.8KOHM,5%,1/10W,DA,TP,2012              |  |
| DR1    | 2007-000282   | R-CHIP;10KOHM,5%,1/10W,DA,TP,2012               |  |
| DR106  | 2007-000282   | R-CHIP;10KOHM,5%,1/10W,DA,TP,2012               |  |
| DR14   | 2007-000282   | R-CHIP;10KOHM,5%,1/10W,DA,TP,2012               |  |
| DR15   | 2007-000282   | R-CHIP;10KOHM,5%,1/10W,DA,TP,2012               |  |
| DR16   | 2007-000282   | R-CHIP;10KOHM,5%,1/10W,DA,TP,2012               |  |
| DR17   | 2007-000282   | R-CHIP;10KOHM,5%,1/10W,DA,TP,2012               |  |
| DR18   | 2007-000282   | R-CHIP;10KOHM,5%,1/10W,DA,TP,2012               |  |
| DR19   | 2007-000282   | R-CHIP;10KOHM,5%,1/10W,DA,TP,2012               |  |
| DR2    | 2007-000282   | R-CHIP;10KOHM,5%,1/10W,DA,TP,2012               |  |
| DR20   | 2007-000282   | R-CHIP;10KOHM,5%,1/10W,DA,TP,2012               |  |
| DR21   | 2007-000282   | R-CHIP;10KOHM,5%,1/10W,DA,TP,2012               |  |
| DR22   | 2007-000282   | R-CHIP;10KOHM,5%,1/10W,DA,TP,2012               |  |
| DR23   | 2007-000282   | R-CHIP;10KOHM,5%,1/10W,DA,TP,2012               |  |
| DR28   | 2007-000282   | R-CHIP;10KOHM,5%,1/10W,DA,TP,2012               |  |
| DR3    | 2007-000282   | R-CHIP;10KOHM,5%,1/10W,DA,TP,2012               |  |
| DR33   | 2007-000282   | R-CHIP;10KOHM,5%,1/10W,DA,TP,2012               |  |
| DR43   | 2007-000282   | R-CHIP;10KOHM,5%,1/10W,DA,TP,2012               |  |
| DR46   | 2007-000282   | R-CHIP;10KOHM,5%,1/10W,DA,TP,2012               |  |
| DR47   | 2007-000282   | R-CHIP;10KOHM,5%,1/10W,DA,TP,2012               |  |
| DR48   | 2007-000282   | R-CHIP;10KOHM,5%,1/10W,DA,TP,2012               |  |
| DR50   | 2007-000282   | R-CHIP;10KOHM,5%,1/10W,DA,TP,2012               |  |
| DR55   | 2007-000282   | R-CHIP;10KOHM,5%,1/10W,DA,TP,2012               |  |
| DR56   | 2007-000282   | R-CHIP;10KOHM,5%,1/10W,DA,TP,2012               |  |
| DR57   | 2007-000282   | R-CHIP;10KOHM,5%,1/10W,DA,TP,2012               |  |
| DR58   | 2007-000282   | R-CHIP;10KOHM,5%,1/10W,DA,TP,2012               |  |
| DR59   | 2007-000282   | R-CHIP;10KOHM,5%,1/10W,DA,TP,2012               |  |
| DR60   | 2007-000282   | R-CHIP;10KOHM,5%,1/10W,DA,TP,2012               |  |
| DR61   | 2007-000282   | R-CHIP;10KOHM,5%,1/10W,DA,TP,2012               |  |
| DR62   | 2007-000282   | R-CHIP;10KOHM,5%,1/10W,DA,TP,2012               |  |
| DR63   | 2007-000282   | R-CHIP;10KOHM,5%,1/10W,DA,TP,2012               |  |
| DR64   | 2007-000282   | R-CHIP;10KOHM,5%,1/10W,DA,TP,2012               |  |
| DR65   | 2007-000282   | R-CHIP;10KOHM,5%,1/10W,DA,TP,2012               |  |
| DR66   | 2007-000282   | R-CHIP;10KOHM,5%,1/10W,DA,TP,2012               |  |
| DR67   | 2007-000282   | R-CHIP;10KOHM,5%,1/10W,DA,TP,2012               |  |
| DR81   | 2007-000282   | R-CHIP;10KOHM,5%,1/10W,DA,TP,2012               |  |
| DR89   | 2007-000282   | R-CHIP;10KOHM,5%,1/10W,DA,TP,2012               |  |
| DR91   | 2007-000282   | R-CHIP;10KOHM,5%,1/10W,DA,TP,2012               |  |
| DR96   | 2007-000282   | R-CHIP;10KOHM,5%,1/10W,DA,TP,2012               |  |
| DR96B  | 2007-000282   | R-CHIP;10KOHM,5%,1/10W,DA,TP,2012               |  |
| DR97   | 2007-000282   | R-CHIP;10KOHM,5%,1/10W,DA,TP,2012               |  |
| DR97B  | 2007-000282   | R-CHIP;10KOHM,5%,1/10W,DA,TP,2012               |  |
| DR10   | 2007-000290   | R-CHIP;100OHM,5%,1/10W,DA,TP,2012               |  |
| DR100  | 2007-000290   | R-CHIP;100OHM,5%,1/10W,DA,TP,2012               |  |
| DR101  | 2007-000290   | R-CHIP;100OHM,5%,1/10W,DA,TP,2012               |  |
| DR11   | 2007-000290   | R-CHIP;100OHM,5%,1/10W,DA,TP,2012               |  |
| DR12   | 2007-000290   | R-CHIP;100OHM,5%,1/10W,DA,TP,2012               |  |
| DR13   | 2007-000290   | R-CHIP;100OHM,5%,1/10W,DA,TP,2012               |  |
| DR32   | 2007-000290   | R-CHIP;100OHM,5%,1/10W,DA,TP,2012               |  |
| DR34   | 2007-000290   | R-CHIP;100OHM,5%,1/10W,DA,TP,2012               |  |
| DR36   | 2007-000290   | R-CHIP;100OHM,5%,1/10W,DA,TP,2012               |  |
| DR8    | 2007-000290   | R-CHIP;100OHM,5%,1/10W,DA,TP,2012               |  |
| DR9    | 2007-000290   | R-CHIP;100OHM,5%,1/10W,DA,TP,2012               |  |
| DR98   | 2007-000290   | R-CHIP;100OHM,5%,1/10W,DA,TP,2012               |  |
| DR99   | 2007-000290   | R-CHIP;100OHM,5%,1/10W,DA,TP,2012               |  |
| DR110  | 2007-000300   | R-CHIP;10KOHM,5%,1/10W,DA,TP,2012               |  |
| DR37   | 2007-000300   | R-CHIP;10KOHM,5%,1/10W,DA,TP,2012               |  |
| DR38   | 2007-000300   | R-CHIP;10KOHM,5%,1/10W,DA,TP,2012               |  |
| DR40   | 2007-000300   | R-CHIP;10KOHM,5%,1/10W,DA,TP,2012               |  |
| DR41   | 2007-000300   | R-CHIP;10KOHM,5%,1/10W,DA,TP,2012               |  |
| DR52   | 2007-000300   | R-CHIP;10KOHM,5%,1/10W,DA,TP,2012               |  |
| DR53   | 2007-000300   | R-CHIP;10KOHM,5%,1/10W,DA,TP,2012               |  |
| DR54   | 2007-000300   | R-CHIP;10KOHM,5%,1/10W,DA,TP,2012               |  |
| DR70   | 2007-000300   | R-CHIP;10KOHM,5%,1/10W,DA,TP,2012               |  |
| DR84   | 2007-000300   | R-CHIP;10KOHM,5%,1/10W,DA,TP,2012               |  |
| DR111  | 2007-000308   | R-CHIP;10OHM,5%,1/10W,DA,TP,2012                |  |
| DR73   | 2007-000409   | R-CHIP;15KOHM,5%,1/10W,DA,TP,2012               |  |
| DR74   | 2007-000409   | R-CHIP;15KOHM,5%,1/10W,DA,TP,2012               |  |
| DR25   | 2007-000457   | R-CHIP;18KOHM,5%,1/10W,DA,TP,2012               |  |
| DR102  | 2007-000468   | R-CHIP;1KOHM,5%,1/10W,DA,TP,2012                |  |
| DR103  | 2007-000468   | R-CHIP;1KOHM,5%,1/10W,DA,TP,2012                |  |
| DR104  | 2007-000468   | R-CHIP;1KOHM,5%,1/10W,DA,TP,2012                |  |
| DR35   | 2007-000468   | R-CHIP;1KOHM,5%,1/10W,DA,TP,2012                |  |
| DR42   | 2007-000468   | R-CHIP;1KOHM,5%,1/10W,DA,TP,2012                |  |
| DR44   | 2007-000468   | R-CHIP;1KOHM,5%,1/10W,DA,TP,2012                |  |
| DR71   | 2007-000468   | R-CHIP;1KOHM,5%,1/10W,DA,TP,2012                |  |
| DR83   | 2007-000468   | R-CHIP;1KOHM,5%,1/10W,DA,TP,2012                |  |
| DR88   | 2007-000468   | R-CHIP;1KOHM,5%,1/10W,DA,TP,2012                |  |
| DR90   | 2007-000493   | R-CHIP;2.2KOHM,5%,1/10W,DA,TP,2012              |  |
| DR92   | 2007-000493   | R-CHIP;2.2KOHM,5%,1/10W,DA,TP,2012              |  |
| DR112  | 2007-000518   | R-CHIP;2.7KOHM,5%,1/10W,DA,TP,2012              |  |

**Location no. Code no. Description & Specification Remarks**

|             |                    |   |               |
|-------------|--------------------|---|---------------|
| DR26        | 2007-000518        | R-CHIP:2.7KOHM,5%,1/10W,DA,TP,2012                |               |
| DR4         | 2007-000518        | R-CHIP:2.7KOHM,5%,1/10W,DA,TP,2012                |               |
| DR69        | 2007-000518        | R-CHIP:2.7KOHM,5%,1/10W,DA,TP,2012                |               |
| DR86        | 2007-000518        | R-CHIP:2.7KOHM,5%,1/10W,DA,TP,2012                |               |
| DR107       | 2007-000565        | R-CHIP:220KOHM,5%,1/10W,DA,TP,2012                |               |
| DR82        | 2007-000565        | R-CHIP:220KOHM,5%,1/10W,DA,TP,2012                |               |
| DR105       | 2007-000572        | R-CHIP:220OHM,5%,1/10W,DA,TP,2012                 |               |
| DR72        | 2007-000572        | R-CHIP:220OHM,5%,1/10W,DA,TP,2012                 |               |
| DR80        | 2007-000572        | R-CHIP:220OHM,5%,1/10W,DA,TP,2012                 |               |
| DR87        | 2007-000572        | R-CHIP:220OHM,5%,1/10W,DA,TP,2012                 |               |
| DR108       | 2007-000586        | R-CHIP:220OHM,5%,1/10W,DA,TP,2012                 |               |
| DR95        | 2007-000586        | R-CHIP:220OHM,5%,1/10W,DA,TP,2012                 |               |
| DR24        | 2007-000653        | R-CHIP:27KOHM,5%,1/10W,DA,TP,2012                 |               |
| DR76        | 2007-000653        | R-CHIP:27KOHM,5%,1/10W,DA,TP,2012                 |               |
| DR78        | 2007-000653        | R-CHIP:27KOHM,5%,1/10W,DA,TP,2012                 |               |
| DR79        | 2007-000766        | R-CHIP:330OHM,5%,1/10W,DA,TP,2012                 |               |
| DR96A       | 2007-000766        | R-CHIP:330OHM,5%,1/10W,DA,TP,2012                 |               |
| DR97A       | 2007-000766        | R-CHIP:330OHM,5%,1/10W,DA,TP,2012                 |               |
| DR31        | 2007-000872        | R-CHIP:4.7KOHM,5%,1/10W,DA,TP,2012                |               |
| DR45        | 2007-000872        | R-CHIP:4.7KOHM,5%,1/10W,DA,TP,2012                |               |
| DR51        | 2007-000872        | R-CHIP:4.7KOHM,5%,1/10W,DA,TP,2012                |               |
| DR39        | 2007-000931        | R-CHIP:470OHM,5%,1/10W,DA,TP,2012                 |               |
| DR62A       | 2007-000931        | R-CHIP:470OHM,5%,1/10W,DA,TP,2012                 |               |
| DR68        | 2007-000931        | R-CHIP:470OHM,5%,1/10W,DA,TP,2012                 |               |
| DR85        | 2007-000931        | R-CHIP:470OHM,5%,1/10W,DA,TP,2012                 |               |
| DR29        | 2007-000941        | R-CHIP:470OHM,5%,1/10W,DA,TP,2012                 |               |
| DR30        | 2007-000941        | R-CHIP:470OHM,5%,1/10W,DA,TP,2012                 |               |
| DR75        | 2007-001039        | R-CHIP:56KOHM,5%,1/10W,DA,TP,2012                 |               |
| DR77        | 2007-001039        | R-CHIP:56KOHM,5%,1/10W,DA,TP,2012                 |               |
| OTC1        | 2201-000565        | C-CERAMIC,DISC:47nF,20%,50V,Y5V,12.5x4.0mm,5mm,TP |               |
| OTC2        | 2201-000565        | C-CERAMIC,DISC:47nF,20%,50V,Y5V,12.5x4.0mm,5mm,TP |               |
| DC11A       | 2203-000206        | C-CERAMIC,CHIP:100nF,10%,50V,X7R,TP,2012          |               |
| DC12        | 2203-000206        | C-CERAMIC,CHIP:100nF,10%,50V,X7R,TP,2012          |               |
| DC22A       | 2203-000206        | C-CERAMIC,CHIP:100nF,10%,50V,X7R,TP,2012          |               |
| DC4         | 2203-000206        | C-CERAMIC,CHIP:100nF,10%,50V,X7R,TP,2012          |               |
| DC8         | 2203-000206        | C-CERAMIC,CHIP:100nF,10%,50V,X7R,TP,2012          |               |
| DC11        | 2203-000239        | C-CERAMIC,CHIP:0.1nF,5%,50V,NP0,TP,2012           |               |
| DC13        | 2203-000239        | C-CERAMIC,CHIP:0.1nF,5%,50V,NP0,TP,2012           |               |
| DC14        | 2203-000239        | C-CERAMIC,CHIP:0.1nF,5%,50V,NP0,TP,2012           |               |
| DC15        | 2203-000239        | C-CERAMIC,CHIP:0.1nF,5%,50V,NP0,TP,2012           |               |
| DC17        | 2203-000239        | C-CERAMIC,CHIP:0.1nF,5%,50V,NP0,TP,2012           |               |
| DC20        | 2203-000239        | C-CERAMIC,CHIP:0.1nF,5%,50V,NP0,TP,2012           |               |
| DC2         | 2203-000260        | C-CERAMIC,CHIP:10nF,10%,50V,X7R,TP,2012           |               |
| DC21        | 2203-000260        | C-CERAMIC,CHIP:10nF,10%,50V,X7R,TP,2012           |               |
| DC3         | 2203-000260        | C-CERAMIC,CHIP:10nF,10%,50V,X7R,TP,2012           |               |
| DC6         | 2203-000260        | C-CERAMIC,CHIP:10nF,10%,50V,X7R,TP,2012           |               |
| DC5         | 2203-000575        | C-CERAMIC,CHIP:220nF,10%,25V,X7R,TP,2012          |               |
| DC1         | 2203-001137        | C-CERAMIC,CHIP:68nF,+80-20%,50V,Y5V,TP,2012,-     |               |
| DC10        | 2203-001517        | C-CERAMIC,CHIP:0.015nF,5%,50V,NP0,TP,2012         |               |
| DC9         | 2203-001517        | C-CERAMIC,CHIP:0.015nF,5%,50V,NP0,TP,2012         |               |
| DC18        | 2203-001524        | C-CERAMIC,CHIP:0.047nF,5%,50V,NP0,TP,2012         |               |
| DC11B(MANU) | 2203-001524        | C-CERAMIC,CHIP:0.047nF,5%,50V,NP0,TP,2012         |               |
| DCE16       | 2401-000118        | C-AL:1000uF,20%,10V,GP,TP,10x12.5,5.5             |               |
| DCE5        | 2401-000244        | C-AL:100uF,20%,10V,GP,TP,6.3x7.5                  |               |
| DCE7        | 2401-000459        | C-AL:10uF,20%,35V,GP,TP,5X7,2MM                   |               |
| DCE9        | 2401-000459        | C-AL:10uF,20%,35V,GP,TP,5X7,2MM                   |               |
| DCE1        | 2401-001324        | C-AL:470nF,20%,50V,GP,BK,3x5,1mm                  |               |
| -           | 2401-001904        | C-AL:10uF,20%,16V,-TP,4X7MM,5                     |               |
| DCE13       | 2401-001904        | C-AL:10uF,20%,16V,-TP,4X7MM,5                     |               |
| DCE14       | 2401-001904        | C-AL:10uF,20%,16V,-TP,4X7MM,5                     |               |
| DCE15       | 2401-001904        | C-AL:10uF,20%,16V,-TP,4X7MM,5                     |               |
| DCE10       | 2401-001917        | C-AL:1uF,20%,50V,-TP,5X7MM,5                      |               |
| DCE2        | 2401-001917        | C-AL:1uF,20%,50V,-TP,5X7MM,5                      |               |
| DCE3        | 2401-001917        | C-AL:1uF,20%,50V,-TP,5X7MM,5                      |               |
| DCE4        | 2401-001917        | C-AL:1uF,20%,50V,-TP,5X7MM,5                      |               |
| DCE12       | 2401-001952        | C-AL:4.7uF,20%,50V,-TP,6.3X7.5                    |               |
| DCE6        | 2401-001952        | C-AL:4.7uF,20%,50V,-TP,6.3X7.5                    |               |
| DCE11       | 2401-002183        | C-AL:220uF,20%,16V,GP,TP,8x9,5mm                  |               |
| DL3         | 2701-000298        | INDUCTOR-AXIAL:470uH,10%,4.2x9.8mm                |               |
| DX1         | 2801-003792        | CRYSTAL-UNIT:12.5MHZ,30PPM,28-AAM,16.25OHM,TP     |               |
| DCW1        | 3708-001398        | CONNECTOR-FPC/FC/PIC:29P,1MM,ANGLE,SN             |               |
| DCW2        | 3708-001399        | CONNECTOR-FPC/FC/PIC:19P,1MM,ANGLE,SN             |               |
| DCW3        | 3708-001438        | CONNECTOR-FPC/FC/PIC:22P,1.25mm,ANGLE,SN          |               |
| FIWIRE      | 3809-001138        | CABLE-FLAT:30V,-20TO+80C,50MM,29P,1MM,UL2896      |               |
| FIWIRE      | 3809-001139        | CABLE-FLAT:30V,-20TO+80C,50MM,19P,1MM,UL2896      |               |
| FPCB        | 3811-000123        | WIRE-PVC CU:BCWA,300V,200MM,7.0,16MM,#26,B        |               |
| LINK        | 3811-000123        | WIRE-PVC CU:BCWA,300V,200MM,7.0,16MM,#26,B        |               |
| DIC10       | A4012-0597         | IC-LINEAR:KA4558DTF,SOP,STICK                     |               |
| DIC11       | A4012-0597         | IC-LINEAR:KA4558DTF,SOP,STICK                     |               |
| DIC12       | A4012-0597         | IC-LINEAR:KA4558DTF,SOP,STICK                     |               |
| DIC13       | AH09-00014A        | IC-MCU:UPD78F4216,100,TR,MD CONTROL-,OFF,-        |               |
| DECK        | AH59-00015A        | DECK-DVD-(MD DECK)/MDM-04A,N,5V,56MM,MD           |               |
| DIC2        | AJ11-12001A        | IC-SRAM:W24257A,SQ,-                              |               |
|             | <b>G3V1</b>        | <b>RADIO CD PLATER,-</b>                          | <b>S.N.A.</b> |
|             | 2001-000734        | R-CARBON:4.7KOHM,5%,1/8W,AA,TP,1.8X3.2MM          |               |
|             | <b>AH92-00005A</b> | <b>ASSY-PCB-CD MAIN;G3V1,CD PACK</b>              | <b>S.N.A.</b> |
|             | 0501-000314        | TR-SMALL SIGNAL:KSA812,PNP,150mW,SOT-23,TP,90-    |               |
| NIC928      | 0904-001442        | IC-DSP:9286,8BIT,QFP,80P,-,16.934MHz,TR,CMOS,P    |               |
| NIC925      | 1003-000179        | IC-MOTOR DRIVER:KA9258D,SOP,28P,-,SINGLE,-,ST,    |               |
| NIC922      | 1204-001286        | IC-ASP:KB9223,QFP,80P,-,PLASTIC,6V,20             |               |

**Location no. Code no. Description & Specification Remarks**

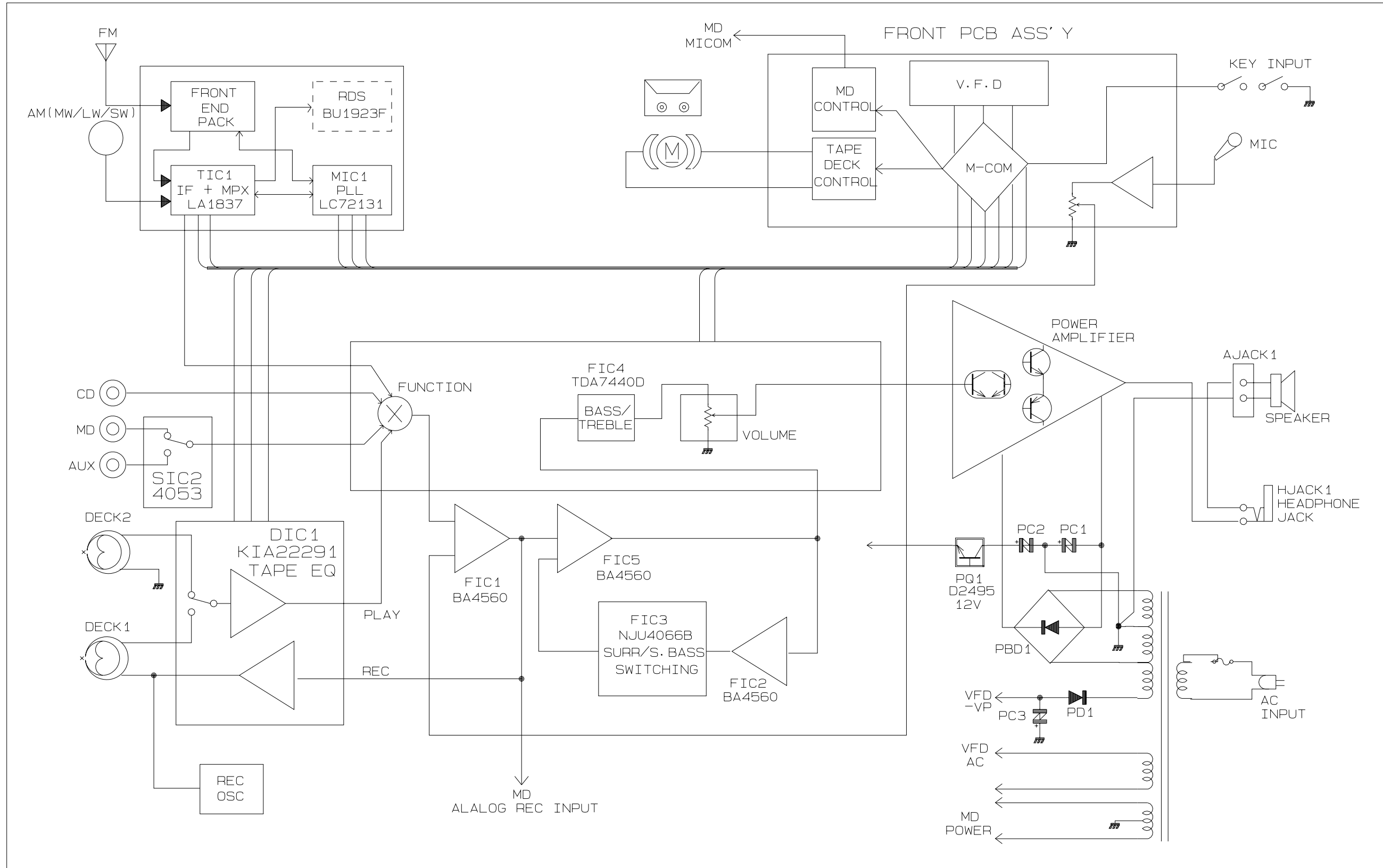
|       |             |                                    |  |
|-------|-------------|------------------------------------|--|
| JW1   | 2007-000029 | R-CHIP:0OHM,5%,1/10W,DA,TP,2012    |  |
| JW10  | 2007-000029 | R-CHIP:0OHM,5%,1/10W,DA,TP,2012    |  |
| JW11  | 2007-000029 | R-CHIP:0OHM,5%,1/10W,DA,TP,2012    |  |
| JW12  | 2007-000029 | R-CHIP:0OHM,5%,1/10W,DA,TP,2012    |  |
| JW14  | 2007-000029 | R-CHIP:0OHM,5%,1/10W,DA,TP,2012    |  |
| JW2   | 2007-000029 | R-CHIP:0OHM,5%,1/10W,DA,TP,2012    |  |
| JW24  | 2007-000029 | R-CHIP:0OHM,5%,1/10W,DA,TP,2012    |  |
| JW25  | 2007-000029 | R-CHIP:0OHM,5%,1/10W,DA,TP,2012    |  |
| JW3   | 2007-000029 | R-CHIP:0OHM,5%,1/10W,DA,TP,2012    |  |
| JW30  | 2007-000029 | R-CHIP:0OHM,5%,1/10W,DA,TP,2012    |  |
| JW32  | 2007-000029 | R-CHIP:0OHM,5%,1/10W,DA,TP,2012    |  |
| JW34  | 2007-000029 | R-CHIP:0OHM,5%,1/10W,DA,TP,2012    |  |
| JW35  | 2007-000029 | R-CHIP:0OHM,5%,1/10W,DA,TP,2012    |  |
| JW5   | 2007-000029 | R-CHIP:0OHM,5%,1/10W,DA,TP,2012    |  |
| JW6   | 2007-000029 | R-CHIP:0OHM,5%,1/10W,DA,TP,2012    |  |
| JW9   | 2007-000029 | R-CHIP:0OHM,5%,1/10W,DA,TP,2012    |  |
| JW13  | 2007-000033 | R-CHIP:0OHM,5%,1/8W,DA,TP,3216     |  |
| JW15  | 2007-000033 | R-CHIP:0OHM,5%,1/10W,DA,TP,3216    |  |
| JW16  | 2007-000033 | R-CHIP:0OHM,5%,1/8W,DA,TP,3216     |  |
| JW17  | 2007-000033 | R-CHIP:0OHM,5%,1/10W,DA,TP,3216    |  |
| JW18  | 2007-000033 | R-CHIP:0OHM,5%,1/8W,DA,TP,3216     |  |
| JW19  | 2007-000033 | R-CHIP:0OHM,5%,1/8W,DA,TP,3216     |  |
| JW20  | 2007-000033 | R-CHIP:0OHM,5%,1/8W,DA,TP,3216     |  |
| JW21  | 2007-000033 | R-CHIP:0OHM,5%,1/8W,DA,TP,3216     |  |
| JW22  | 2007-000033 | R-CHIP:0OHM,5%,1/8W,DA,TP,3216     |  |
| JW23  | 2007-000033 | R-CHIP:0OHM,5%,1/8W,DA,TP,3216     |  |
| JW26  | 2007-000033 | R-CHIP:0OHM,5%,1/8W,DA,TP,3216     |  |
| JW27  | 2007-000033 | R-CHIP:0OHM,5%,1/8W,DA,TP,3216     |  |
| JW28  | 2007-000033 | R-CHIP:0OHM,5%,1/8W,DA,TP,3216     |  |
| JW29  | 2007-000033 | R-CHIP:0OHM,5%,1/8W,DA,TP,3216     |  |
| JW30  | 2007-000033 | R-CHIP:0OHM,5%,1/8W,DA,TP,3216     |  |
| JW31  | 2007-000033 | R-CHIP:0OHM,5%,1/8W,DA,TP,3216     |  |
| JW33  | 2007-000033 | R-CHIP:0OHM,5%,1/8W,DA,TP,3216     |  |
| JW4   | 2007-000033 | R-CHIP:0OHM,5%,1/8W,DA,TP,3216     |  |
| JW7   | 2007-000033 | R-CHIP:0OHM,5%,1/8W,DA,TP,3216     |  |
| JW8   | 2007-000033 | R-CHIP:0OHM,5%,1/8W,DA,TP,3216     |  |
| NR109 | 2007-000282 | R-CHIP:100KOHM,5%,1/10W,DA,TP,2012 |  |
| NR203 | 2007-000282 | R-CHIP:100KOHM,5%,1/10W,DA,TP,2012 |  |
| NR300 | 2007-000282 | R-CHIP:100KOHM,5%,1/10W,DA,TP,2012 |  |
| NR57L | 2007-000282 | R-CHIP:100KOHM,5%,1/10W,DA,TP,2012 |  |
| NR57R | 2007-000282 | R-CHIP:100KOHM,5%,1/10W,DA,TP,2012 |  |
| NR606 | 2007-000282 | R-CHIP:100KOHM,5%,1/10W,DA,TP,2012 |  |
| NR602 | 2007-000300 | R-CHIP:10KOHM,5%,1/10W,DA,TP,2012  |  |
| NR603 | 2007-000300 | R-CHIP:10KOHM,5%,1/10W,DA,TP,2012  |  |
| NR104 | 2007-000338 | R-CHIP:120KOHM,5%,1/10W,DA,TP,2012 |  |
| NR107 | 2007-000338 | R-CHIP:120KOHM,5%,1/10W,DA,TP,2012 |  |
| NR100 | 2007-000355 | R-CHIP:12KOHM,5%,1/10W,DA,TP,2012  |  |
| NR120 | 2007-000355 | R-CHIP:12KOHM,5%,1/10W,DA,TP,2012  |  |
| NR121 | 2007-000355 | R-CHIP:12KOHM,5%,1/10W,DA,TP,2012  |  |
| NR204 | 2007-000355 | R-CHIP:12KOHM,5%,1/10W,DA,TP,2012  |  |
| FREEE | 2007-000395 | R-CHIP:150KOHM,5%,1/10W,DA,TP,2012 |  |
| NR103 | 2007-000395 | R-CHIP:150KOHM,5%,1/10W,DA,TP,2012 |  |
| NR119 | 2007-000395 | R-CHIP:150KOHM,5%,1/10W,DA,TP,2012 |  |
| NR400 | 2007-000409 | R-CHIP:15KOHM,5%,1/10W,DA,TP,2012  |  |
| NR115 | 2007-000444 | R-CHIP:180KOHM,5%,1/10W,DA,TP,2012 |  |
| NR10  | 2007-000468 | R-CHIP:1KOHM,5%,1/10W,DA,TP,2012   |  |
| NR11  | 2007-000468 | R-CHIP:1KOHM,5%,1/10W,DA,TP,2012   |  |
| NR12  | 2007-000468 | R-CHIP:1KOHM,5%,1/10W,DA,TP,2012   |  |
| NR4   | 2007-000468 | R-CHIP:1KOHM,5%,1/10W,DA,TP,2012   |  |
| NR5   | 2007-000468 | R-CHIP:1KOHM,5%,1/10W,DA,TP,2012   |  |
| NR54L | 2007-000468 | R-CHIP:1KOHM,5%,1/10W,DA,TP,2012   |  |
| NR54R | 2007-000468 | R-CHIP:1KOHM,5%,1/10W,DA,TP,2012   |  |
| NR6   | 2007-000468 | R-CHIP:1KOHM,5%,1/10W,DA,TP,2012   |  |
| NR604 | 2007-000468 | R-CHIP:1KOHM,5%,1/10W,DA,TP,2012   |  |
| NR7   | 2007-000468 | R-CHIP:1KOHM,5%,1/10W,DA,TP,2012   |  |
| NR804 | 2007-000468 | R-CHIP:1KOHM,5%,1/10W,DA,TP,2012   |  |
| SR3   | 2007-000468 | R-CHIP:1KOHM,5%,1/10W,DA,TP,2012   |  |
| SR4   | 2007-000468 | R-CHIP:1KOHM,5%,1/10W,DA,TP,2012   |  |
| NR114 | 2007-000477 | R-CHIP:1MOHM,5%,1/10W,DA,TP,2012   |  |
| NR50L | 2007-000586 | R-CHIP:22KOHM,5%,1/10W,DA,TP,2012  |  |
| NR50R | 2007-000586 | R-CHIP:22KOHM,5%,1/10W,DA,TP,2012  |  |
| NR101 | 2007-000593 | R-CHIP:220OHM,5%,1/10W,DA,TP,2012  |  |
| NR200 | 2007-000653 | R-CHIP:27KOHM,5%,1/10W,DA,TP,2012  |  |
| NR52L | 2007-000653 | R-CHIP:27KOHM,5%,1/10W,DA,TP,2012  |  |
| NR52R | 2007-000653 | R-CHIP:27KOHM,5%,1/10W,DA,TP,2012  |  |
| NR201 | 2007-000686 | R-CHIP:3.3KOHM,5%,1/10W,DA,TP,2012 |  |
| NR202 | 2007-000686 | R-CHIP:3.3KOHM,5%,1/10W,DA,TP,2012 |  |
| NR105 | 2007-000830 | R-CHIP:39KOHM,5%,1/10W,DA,TP,2012  |  |
| NR995 | 2007-000830 | R-CHIP:39KOHM,5%,1/10W,DA,TP,2012  |  |
| NR996 | 2007-000830 | R-CHIP:39KOHM,5%,1/10W,DA,TP,2012  |  |
| NR997 | 2007-000830 | R-CHIP:39KOHM,5%,1/10W,DA,TP,2012  |  |
| NR998 | 2007-000830 | R-CHIP:39KOHM,5%,1/10W,DA,TP,2012  |  |
| NR53L | 2007-000872 | R-CHIP:4.7KOHM,5%,1/10W,DA,TP,2012 |  |
| NR53R | 2007-000872 | R-CHIP:4.7KOHM,5%,1/10W,DA,TP,2012 |  |
| NR55L | 2007-000872 | R-CHIP:4.7KOHM,5%,1/10W,DA,TP,2012 |  |
| NR55R | 2007-000872 | R-CHIP:4.7KOHM,5%,1/10W,DA,TP,2012 |  |
| SR2   | 2007-000872 | R-CHIP:4.7KOHM,5%,1/10W,DA,TP,2012 |  |
| NR117 | 2007-000898 | R-CHIP:430Kohm,5%,1/10W,DA,TP,2012 |  |
| NR108 | 2007-000941 | R-CHIP:47KOHM,5%,1/10W,DA,TP,2012  |  |
| NR111 | 2007-000941 | R-CHIP:47KOHM,5%,1/10W,DA,TP,2012  |  |
| NR112 | 2007-001039 | R-CHIP:56KOHM,5%,1/10W,DA,TP,2012  |  |
| NR116 | 2007-001195 | R-CHIP:82KOHM,5%,1/10W,DA,TP,2012  |  |
| NR994 | 2007-001208 | R-CHIP:82KOHM,5%,1/10W,DA,TP,2012  |  |

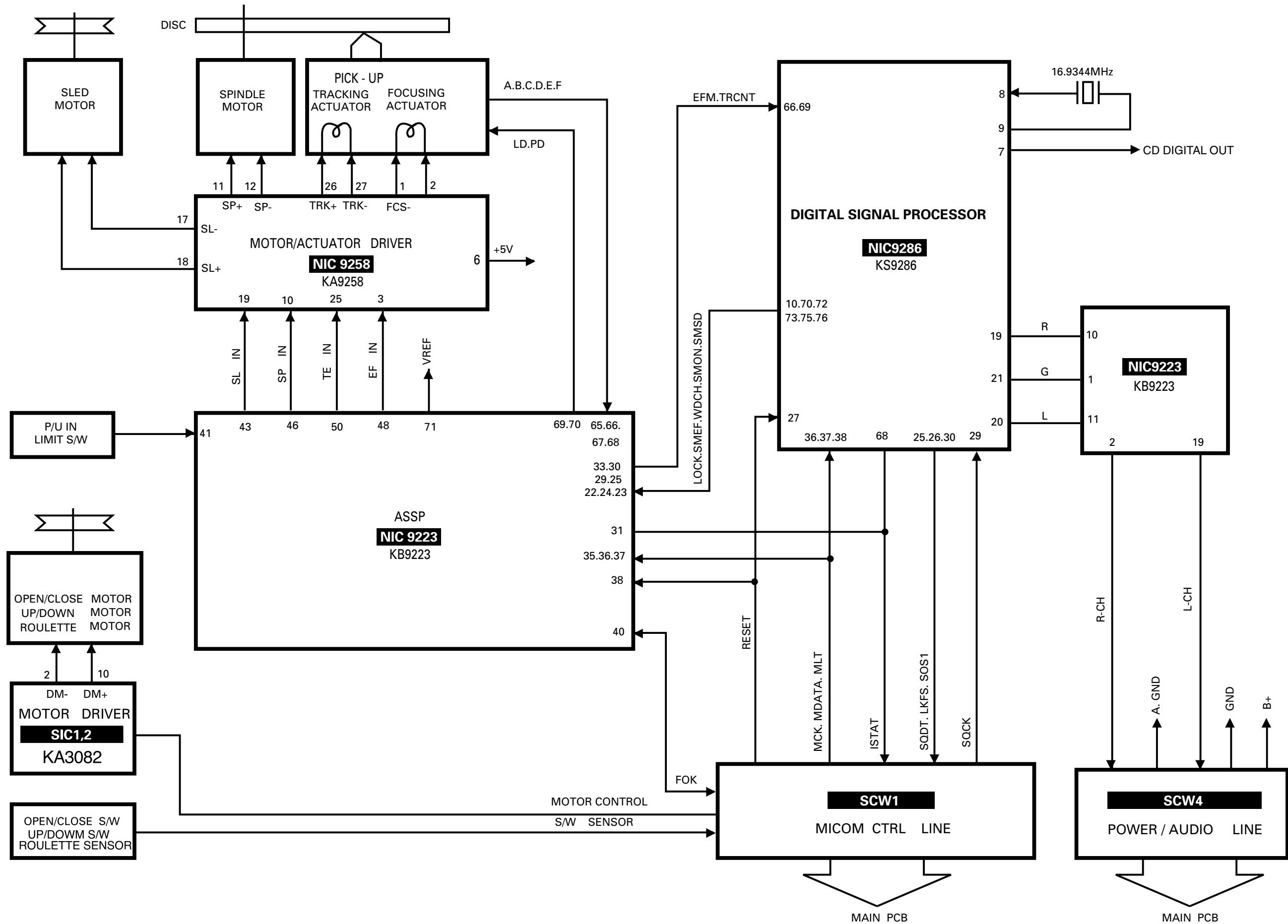
| Location no. | Code no.    | Description & Specification                         | Remarks |
|--------------|-------------|---|---------|
| NR999        | 2007-001208 | R-CHIP:82KOHM,5%,1/10W,DA,TP,2012                   |         |
|              | 2007-001216 | R-CHIP:82OHM,5%,1/10W,DA,TP,2012                    |         |
| NC107        | 2203-000206 | C-CERAMIC,CHIP:100nF,10%,50V,X7R,TP,2012            |         |
| NC108        | 2203-000206 | C-CERAMIC,CHIP:100nF,10%,50V,X7R,TP,2012            |         |
| NC119        | 2203-000206 | C-CERAMIC,CHIP:100nF,10%,50V,X7R,TP,2012            |         |
| NC120        | 2203-000206 | C-CERAMIC,CHIP:100nF,10%,50V,X7R,TP,2012            |         |
| NC121        | 2203-000206 | C-CERAMIC,CHIP:100nF,10%,50V,X7R,TP,2012            |         |
| NC600        | 2203-000206 | C-CERAMIC,CHIP:100nF,10%,50V,X7R,TP,2012            |         |
| NC301        | 2203-000206 | C-CERAMIC,CHIP:100nF,10%,50V,X7R,TP,2012            |         |
| NC1          | 2203-000260 | C-CERAMIC,CHIP:10nF,10%,50V,X7R,TP,2012             |         |
| NC103        | 2203-000260 | C-CERAMIC,CHIP:10nF,10%,50V,X7R,TP,2012             |         |
| NC112        | 2203-000260 | C-CERAMIC,CHIP:10nF,10%,50V,X7R,TP,2012             |         |
| NC113        | 2203-000260 | C-CERAMIC,CHIP:10nF,10%,50V,X7R,TP,2012             |         |
| NC116        | 2203-000260 | C-CERAMIC,CHIP:10nF,10%,50V,X7R,TP,2012             |         |
| NC205        | 2203-000260 | C-CERAMIC,CHIP:10nF,10%,50V,X7R,TP,2012             |         |
| NC502        | 2203-000260 | C-CERAMIC,CHIP:10nF,10%,50V,X7R,TP,2012             |         |
| NC503        | 2203-000260 | C-CERAMIC,CHIP:10nF,10%,50V,X7R,TP,2012             |         |
| NC504        | 2203-000260 | C-CERAMIC,CHIP:10nF,10%,50V,X7R,TP,2012             |         |
| NC53L        | 2203-000260 | C-CERAMIC,CHIP:10nF,10%,50V,X7R,TP,2012             |         |
| NC53R        | 2203-000260 | C-CERAMIC,CHIP:10nF,10%,50V,X7R,TP,2012             |         |
| NC602        | 2203-000260 | C-CERAMIC,CHIP:10nF,10%,50V,X7R,TP,2012             |         |
| NC800        | 2203-000260 | C-CERAMIC,CHIP:10nF,10%,50V,X7R,TP,2012             |         |
| NC804        | 2203-000260 | C-CERAMIC,CHIP:10nF,10%,50V,X7R,TP,2012             |         |
| NC905        | 2203-000260 | C-CERAMIC,CHIP:10nF,10%,50V,X7R,TP,2012             |         |
| SC1          | 2203-000260 | C-CERAMIC,CHIP:10nF,10%,50V,X7R,TP,2012             |         |
| SC2          | 2203-000260 | C-CERAMIC,CHIP:10nF,10%,50V,X7R,TP,2012             |         |
| SC6          | 2203-000260 | C-CERAMIC,CHIP:10nF,10%,50V,X7R,TP,2012             |         |
| NC190        | 2203-000335 | C-CERAMIC,CHIP:0.012nF,5%,50V,NP0,TP,2012           |         |
| NC190        | 2203-000429 | C-CERAMIC,CHIP:0.018nF,5%,50V,NP0,TP,2012           |         |
| NC117        | 2203-000477 | C-CERAMIC,CHIP:1uF,+80-20%,16V,Y5V,TP,2012,-        |         |
| NC110        | 2203-000495 | C-CERAMIC,CHIP:2.2nF,10%,50V,X7R,TP,2012            |         |
| NC118        | 2203-000787 | C-CERAMIC,CHIP:0.33nF,5%,50V,NP0,TP,2012            |         |
| NC101        | 2203-000802 | C-CERAMIC,CHIP:33nF,10%,50V,X7R,TP,2012             |         |
| NC111        | 2203-000802 | C-CERAMIC,CHIP:33nF,10%,50V,X7R,TP,2012             |         |
| NC125        | 2203-000802 | C-CERAMIC,CHIP:33nF,10%,50V,X7R,TP,2012             |         |
| NC100        | 2203-000892 | C-CERAMIC,CHIP:4.7nF,10%,50V,X7R,TP,2012            |         |
| NC106        | 2203-000892 | C-CERAMIC,CHIP:4.7nF,10%,50V,X7R,TP,2012            |         |
| NC200        | 2203-000979 | C-CERAMIC,CHIP:47nF,10%,50V,X7R,TP,2012             |         |
| NC667        | 2203-000979 | C-CERAMIC,CHIP:47nF,10%,50V,X7R,TP,2012             |         |
| NC115        | 2203-001137 | C-CERAMIC,CHIP:68nF,+80-20%,50V,Y5V,TP,2012,-       |         |
| NC104        | 2203-001537 | C-CERAMIC,CHIP:1nF,10%,50V,X7R,TP,2012              |         |
| NC52L        | 2203-001537 | C-CERAMIC,CHIP:1nF,10%,50V,X7R,TP,2012              |         |
| NC52R        | 2203-001537 | C-CERAMIC,CHIP:1nF,10%,50V,X7R,TP,2012              |         |
| NC603        | 2203-001537 | C-CERAMIC,CHIP:1nF,10%,50V,X7R,TP,2012              |         |
| NC903        | 2203-001537 | C-CERAMIC,CHIP:1nF,10%,50V,X7R,TP,2012              |         |
| NC102        | 2203-001551 | C-CERAMIC,CHIP:1.5nF,10%,50V,X7R,TP,2012            |         |
| NC201        | 2203-001551 | C-CERAMIC,CHIP:1.5nF,10%,50V,X7R,TP,2012            |         |
| NC202        | 2203-001619 | C-CERAMIC,CHIP:0.027nF,5%,50V,NP0,TP,2012           |         |
| NC203        | 2203-001619 | C-CERAMIC,CHIP:0.027nF,5%,50V,NP0,TP,2012           |         |
| NL105        | 3301-000325 | CORE-FERRITE BEAD,AB,3.2x2.5x1.3mm,-,-              |         |
| SIC1         | 1003-001162 | IC-MOTOR DRIVER:KA3082,SIP,10PIN,25MIL,DOUBLE,      |         |
| SIC2         | 1003-001162 | IC-MOTOR DRIVER:KA3082,SIP,10PIN,25MIL,DOUBLE,      |         |
| NXF100       | 2802-000211 | RESONATOR-CERAMIC:16.93MHZ,0.5%,TP,10,0X5.0X10.0    |         |
| SCW5         | 3708-001131 | CONNECTOR-FPC/FPC/PC:5P,1.25mm,STRAIGHT,SN          |         |
| WCW1         | 3708-001252 | CONNECTOR-FPC/FPC/PC:16P,1mm,STRAIGHT-F,SN          |         |
| SCW1         | 3708-001438 | CONNECTOR-FPC/FPC/PC:22P,1.25mm,ANGLE,SN            |         |
| NCW500       | 3711-000906 | CONNECTOR-HEADER:BOX,3P,1R,2mm,ANGLE,SN             |         |
| SCW7         | 3711-003379 | CONNECTOR-HEADER:NOWALL,3P,1R,2.5mm,STRAIGHT,SN     |         |
| NCW101       | AH39-20026S | LEAD-CONNECTOR ASSY:-,51004-08,35023-08,6P,300MM,1, |         |
| NCW102       | AH39-20061P | LEAD CONNECTOR ASSY:-,5295,PHR,6P,150mm,1007#28     |         |
| ND200        | 0401-000101 | DIODE-SWITCHING:1N4148,100V,200mA,DO-35,TP          |         |
| ND201        | 0401-000101 | DIODE-SWITCHING:1N4148,100V,200mA,DO-35,TP          |         |
| ND202        | 0401-000101 | DIODE-SWITCHING:1N4148,100V,200mA,DO-35,TP          |         |
| ND203        | 0401-000101 | DIODE-SWITCHING:1N4148,100V,200mA,DO-35,TP          |         |
| SZD1         | 0403-000352 | DIODE-ZENER:UZ4.7BM,4.7V,4.4-5.0V,500mW,DO          |         |
| SZD2         | 0403-000361 | DIODE-ZENER:UZ2.6BS,2.6V,5.99-6.24V,50              |         |
| NQ1501       | 0501-000610 | TR-SMALL SIGNAL:KSA928A-Y,PNP,1W,TQ-92L,TP,160      |         |
| SR1          | 2001-000027 | R-CARBON:100OHM,5%,1/4W,AA,TP,2.4X6.4MM             |         |
| NR106        | 2001-000319 | R-CARBON:120KOHM,5%,1/8W,AA,TP,1.8X3.2MM            |         |
| NR1          | 2001-000429 | R-CARBON:1KOHM,5%,1/8W,AA,TP,1.8X3.2MM              |         |
| NR2          | 2001-000429 | R-CARBON:1KOHM,5%,1/8W,AA,TP,1.8X3.2MM              |         |
| NR3          | 2001-000429 | R-CARBON:1KOHM,5%,1/8W,AA,TP,1.8X3.2MM              |         |
| NR8          | 2001-000429 | R-CARBON:1KOHM,5%,1/8W,AA,TP,1.8X3.2MM              |         |
| NR113        | 2001-000977 | R-CARBON:8.2KOHM,5%,1/8W,AA,TP,1.8X3.2MM            |         |
| NR555        | 2008-000140 | R-FUSIBLE:2.2OHM,5%,1/2W,AA,TP,3.5X9.4MM            |         |
| NC400        | 2202-000243 | C-CERAMIC,MLC-AXIAL:33PF,5%,50V,SL,3.5X19,-,TP      |         |
| NC300        | 2202-000796 | C-CERAMIC,MLC-AXIAL:1nF,10%,50V,Y5P,TP,3.5x19,-     |         |
| NC106        | 2202-000817 | C-CERAMIC,MLC-AXIAL:4.7NF,20%,16V,Y5R,TP,3.5X19,-   |         |
| NC117        | 2301-000389 | C-FILM,PEF:150nF,5%,50V,TP,12.5x15x7.5,7m           |         |
| NC105        | 2401-000240 | C-AL:100uF,20%,10V,GP,TP,5x11,5                     |         |
| NC501        | 2401-000240 | C-AL:100uF,20%,10V,GP,TP,5x11,5                     |         |
| NC702        | 2401-000240 | C-AL:100uF,20%,10V,GP,TP,5x11,5                     |         |
| NC904        | 2401-000240 | C-AL:100uF,20%,10V,GP,TP,5x11,5                     |         |
| SC14         | 2401-000240 | C-AL:100uF,20%,10V,GP,TP,5x11,5                     |         |
| NC114        | 2401-000419 | C-AL:100uF,20%,16V,GP,-,4X7,5                       |         |
| NC301        | 2401-000778 | C-AL:220uF,20%,10V,GP,-,6.3x11,2.5m                 |         |
| NC700        | 2401-000778 | C-AL:220uF,20%,10V,GP,-,6.3x11,2.5m                 |         |
| NC701        | 2401-000778 | C-AL:220uF,20%,10V,GP,-,6.3x11,2.5m                 |         |
| SC5          | 2401-000795 | C-AL:220uF,20%,16V,GP,-,8X11.5,3.5M                 |         |
| NC703        | 2401-001102 | C-AL:330uF,20%,16V,GP,TP,8X12,5                     |         |
| NC124        | 2401-001324 | C-AL:470nF,20%,50V,GP,BK,3x5,1mm                    |         |
| NC204        | 2401-001324 | C-AL:470nF,20%,50V,GP,BK,3x5,1mm                    |         |
| NC666        | 2401-001895 | C-AL:100uF,20%,16V,GP,6.3x11mm,2.5m                 |         |

| Location no. | Code no.    | Description & Specification                    | Remarks |
|--------------|-------------|--|---------|
| NC122        | 2401-001952 | C-AL:4.7UF,20%,50V,-,TP,6.3X7.5                |         |
| NC50L        | 2401-001952 | C-AL:4.7UF,20%,50V,-,TP,6.3X7.5                |         |
| NC50R        | 2401-001952 | C-AL:4.7UF,20%,50V,-,TP,6.3X7.5                |         |
| NC54         | 2401-001952 | C-AL:4.7UF,20%,50V,-,TP,6.3X7.5                |         |
| NC55L        | 2401-001952 | C-AL:4.7UF,20%,50V,-,TP,6.3X7.5                |         |
| NC55R        | 2401-001952 | C-AL:4.7UF,20%,50V,-,TP,6.3X7.5                |         |
| NL101        | 2701-000111 | INDUCTOR-AXIAL:100uH,10%,2.5x3.4mm             |         |
| NL102        | 2701-000111 | INDUCTOR-AXIAL:100uH,10%,2.5x3.4mm             |         |
| NL100        | 2701-000114 | INDUCTOR-AXIAL:10uH,10%,2.5x3.4mm              |         |
| SL1          | 2701-000179 | INDUCTOR-AXIAL:33uH,10%,4.2x9.8mm              |         |
| NL300        | 3301-000297 | CORE-FERRITE BEAD:AA,3.6x1.2x5.7mm,1400,2900G  |         |
| NL301        | 3301-000297 | CORE-FERRITE BEAD:AA,3.6x1.2x5.7mm,1400,2900G  |         |
| NL302        | 3301-000297 | CORE-FERRITE BEAD:AA,3.6x1.2x5.7mm,1400,2900G  |         |
| NJE34        | 3811-000389 | WIRE-NO SHEATH CU:SPCW,300V,52.4MM,1/0.5MM,-,- |         |
| NJE35        | 3811-000389 | WIRE-NO SHEATH CU:SPCW,300V,52.4MM,1/0.5MM,-,- |         |
| NJW1         | 3811-000389 | WIRE-NO SHEATH CU:SPCW,300V,52.4MM,1/0.5MM,-,- |         |
| NJW10        | 3811-000389 | WIRE-NO SHEATH CU:SPCW,300V,52.4MM,1/0.5MM,-,- |         |
| NJW11        | 3811-000389 | WIRE-NO SHEATH CU:SPCW,300V,52.4MM,1/0.5MM,-,- |         |
| NJW12        | 3811-000389 | WIRE-NO SHEATH CU:SPCW,300V,52.4MM,1/0.5MM,-,- |         |
| NJW13        | 3811-000389 | WIRE-NO SHEATH CU:SPCW,300V,52.4MM,1/0.5MM,-,- |         |
| NJW14        | 3811-000389 | WIRE-NO SHEATH CU:SPCW,300V,52.4MM,1/0.5MM,-,- |         |
| NJW15        | 3811-000389 | WIRE-NO SHEATH CU:SPCW,300V,52.4MM,1/0.5MM,-,- |         |
| NJW16        | 3811-000389 | WIRE-NO SHEATH CU:SPCW,300V,52.4MM,1/0.5MM,-,- |         |
| NJW17        | 3811-000389 | WIRE-NO SHEATH CU:SPCW,300V,52.4MM,1/0.5MM,-,- |         |
| NJW18        | 3811-000389 | WIRE-NO SHEATH CU:SPCW,300V,52.4MM,1/0.5MM,-,- |         |
| NJW19        | 3811-000389 | WIRE-NO SHEATH CU:SPCW,300V,52.4MM,1/0.5MM,-,- |         |
| NJW2         | 3811-000389 | WIRE-NO SHEATH CU:SPCW,300V,52.4MM,1/0.5MM,-,- |         |
| NJW20        | 3811-000389 | WIRE-NO SHEATH CU:SPCW,300V,52.4MM,1/0.5MM,-,- |         |
| NJW21        | 3811-000389 | WIRE-NO SHEATH CU:SPCW,300V,52.4MM,1/0.5MM,-,- |         |
| NJW22        | 3811-000389 | WIRE-NO SHEATH CU:SPCW,300V,52.4MM,1/0.5MM,-,- |         |
| NJW23        | 3811-000389 | WIRE-NO SHEATH CU:SPCW,300V,52.4MM,1/0.5MM,-,- |         |
| NJW24        | 3811-000389 | WIRE-NO SHEATH CU:SPCW,300V,52.4MM,1/0.5MM,-,- |         |
| NJW25        | 3811-000389 | WIRE-NO SHEATH CU:SPCW,300V,52.4MM,1/0.5MM,-,- |         |
| NJW26        | 3811-000389 | WIRE-NO SHEATH CU:SPCW,300V,52.4MM,1/0.5MM,-,- |         |
| NJW27        | 3811-000389 | WIRE-NO SHEATH CU:SPCW,300V,52.4MM,1/0.5MM,-,- |         |
| NJW28        | 3811-000389 | WIRE-NO SHEATH CU:SPCW,300V,52.4MM,1/0.5MM,-,- |         |
| NJW29        | 3811-000389 | WIRE-NO SHEATH CU:SPCW,300V,52.4MM,1/0.5MM,-,- |         |
| NJW3         | 3811-000389 | WIRE-NO SHEATH CU:SPCW,300V,52.4MM,1/0.5MM,-,- |         |
| NJW30        | 3811-000389 | WIRE-NO SHEATH CU:SPCW,300V,52.4MM,1/0.5MM,-,- |         |
| NJW31        | 3811-000389 | WIRE-NO SHEATH CU:SPCW,300V,52.4MM,1/0.5MM,-,- |         |
| NJW32        | 3811-000389 | WIRE-NO SHEATH CU:SPCW,300V,52.4MM,1/0.5MM,-,- |         |
| NJW33        | 3811-000389 | WIRE-NO SHEATH CU:SPCW,300V,52.4MM,1/0.5MM,-,- |         |
| NJW36        | 3811-000389 | WIRE-NO SHEATH CU:SPCW,300V,52.4MM,1/0.5MM,-,- |         |
| NJW37        | 3811-000389 | WIRE-NO SHEATH CU:SPCW,300V,52.4MM,1/0.5MM,-,- |         |
| NJW38        | 3811-000389 | WIRE-NO SHEATH CU:SPCW,300V,52.4MM,1/0.5MM,-,- |         |
| NJW39        | 3811-000389 | WIRE-NO SHEATH CU:SPCW,300V,52.4MM,1/0.5MM,-,- |         |
| NJW4         | 3811-000389 | WIRE-NO SHEATH CU:SPCW,300V,52.4MM,1/0.5MM,-,- |         |
| NJW40        | 3811-000389 | WIRE-NO SHEATH CU:SPCW,300V,52.4MM,1/0.5MM,-,- |         |
| NJW41        | 3811-000389 | WIRE-NO SHEATH CU:SPCW,300V,52.4MM,1/0.5MM,-,- |         |
| NJW42        | 3811-000389 | WIRE-NO SHEATH CU:SPCW,300V,52.4MM,1/0.5MM,-,- |         |
| NJW5         | 3811-000389 | WIRE-NO SHEATH CU:SPCW,300V,52.4MM,1/0.5MM,-,- |         |
| NJW6         | 3811-000389 | WIRE-NO SHEATH CU:SPCW,300V,52.4MM,1/0.5MM,-,- |         |
| NJW7         | 3811-000389 | WIRE-NO SHEATH CU:SPCW,300V,52.4MM,1/0.5MM,-,- |         |
| NJW8         | 3811-000389 | WIRE-NO SHEATH CU:SPCW,300V,52.4MM,1/0.5MM,-,- |         |
| NJW9         | 3811-000389 | WIRE-NO SHEATH CU:SPCW,300V,52.4MM,1/0.5MM,-,- |         |
| NIC05        | AC14-12001G | IC:KA78L05,-                                   |         |
| SC04         | AC14-12001G | IC:KA78L05,-                                   |         |
|              | AJ59-20150T | DECK-CDP,CMS-300,-,-,-                         |         |
|              | AH30-00003A | PICK-UP;SOH-AA,D51S66(W/D)CO                   |         |
|              | CMS300-G    | CMS-300,CD MECHA;XINXING,MAX9**                |         |
|              | PS934E/LIB  | SPEAKER-SYSTEM;MAX934MDR/H/LIB                 |         |

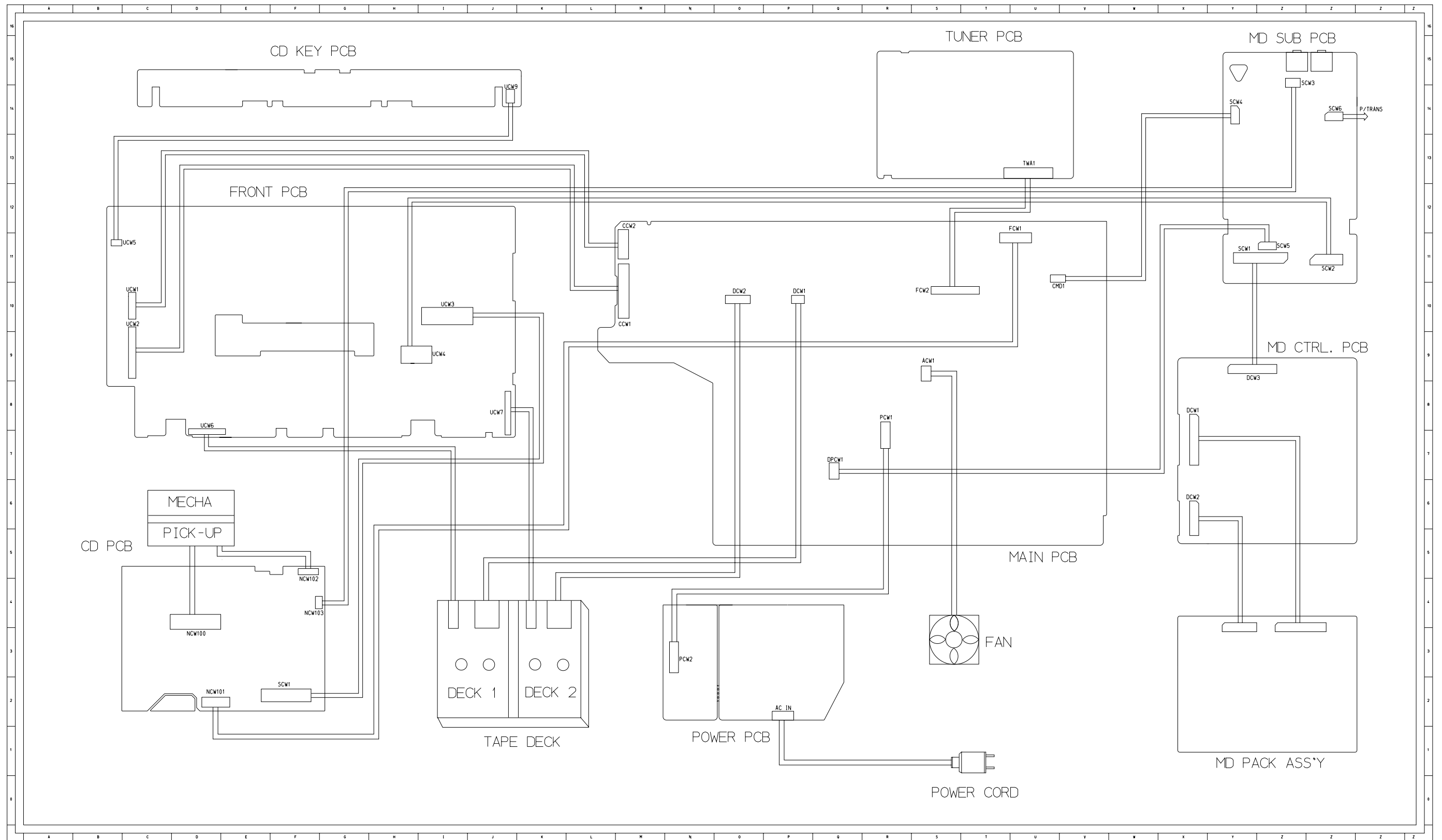
# 4. Block Diagram

## 4-1 Main Part



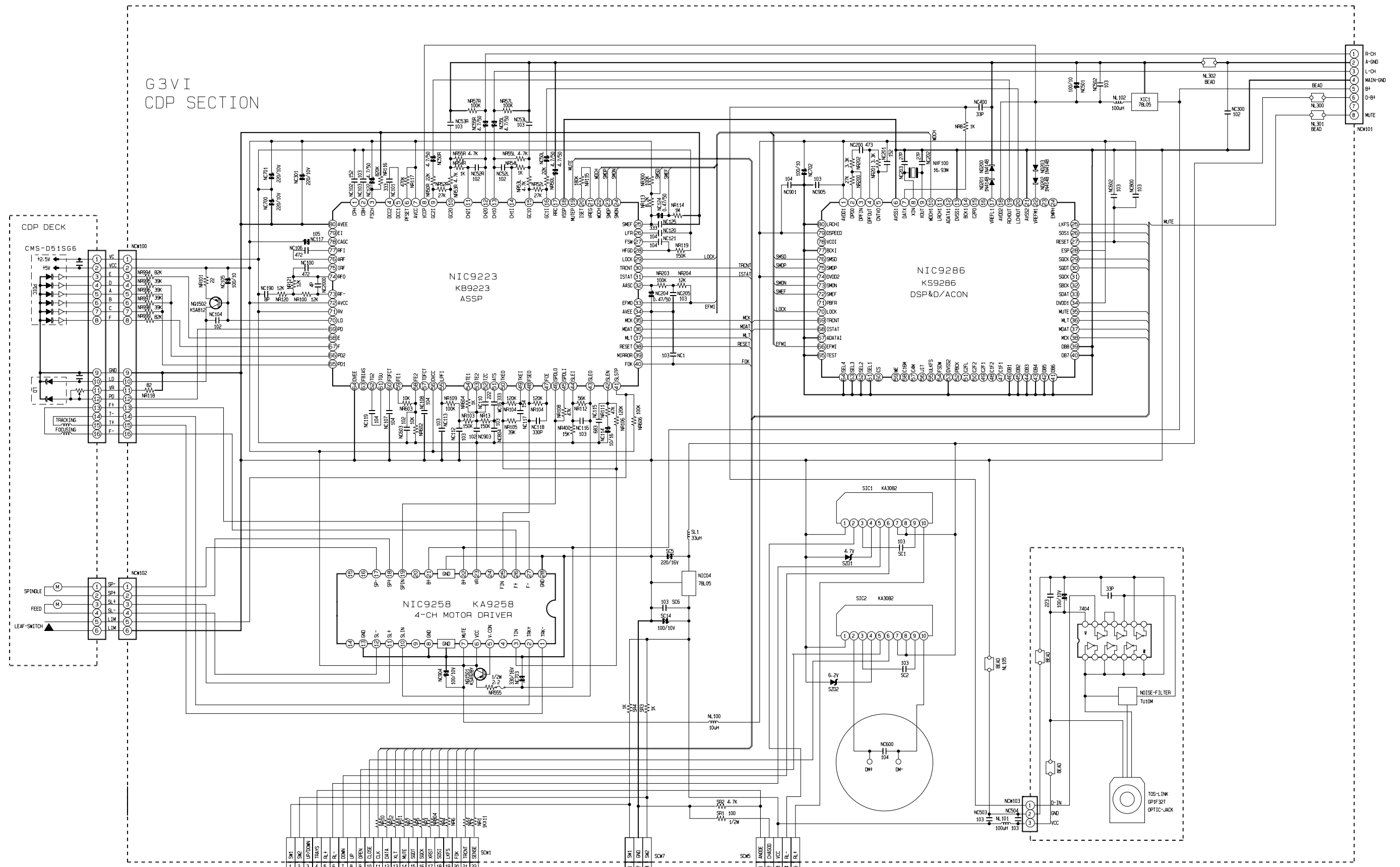


## 6. Wiring Diagram

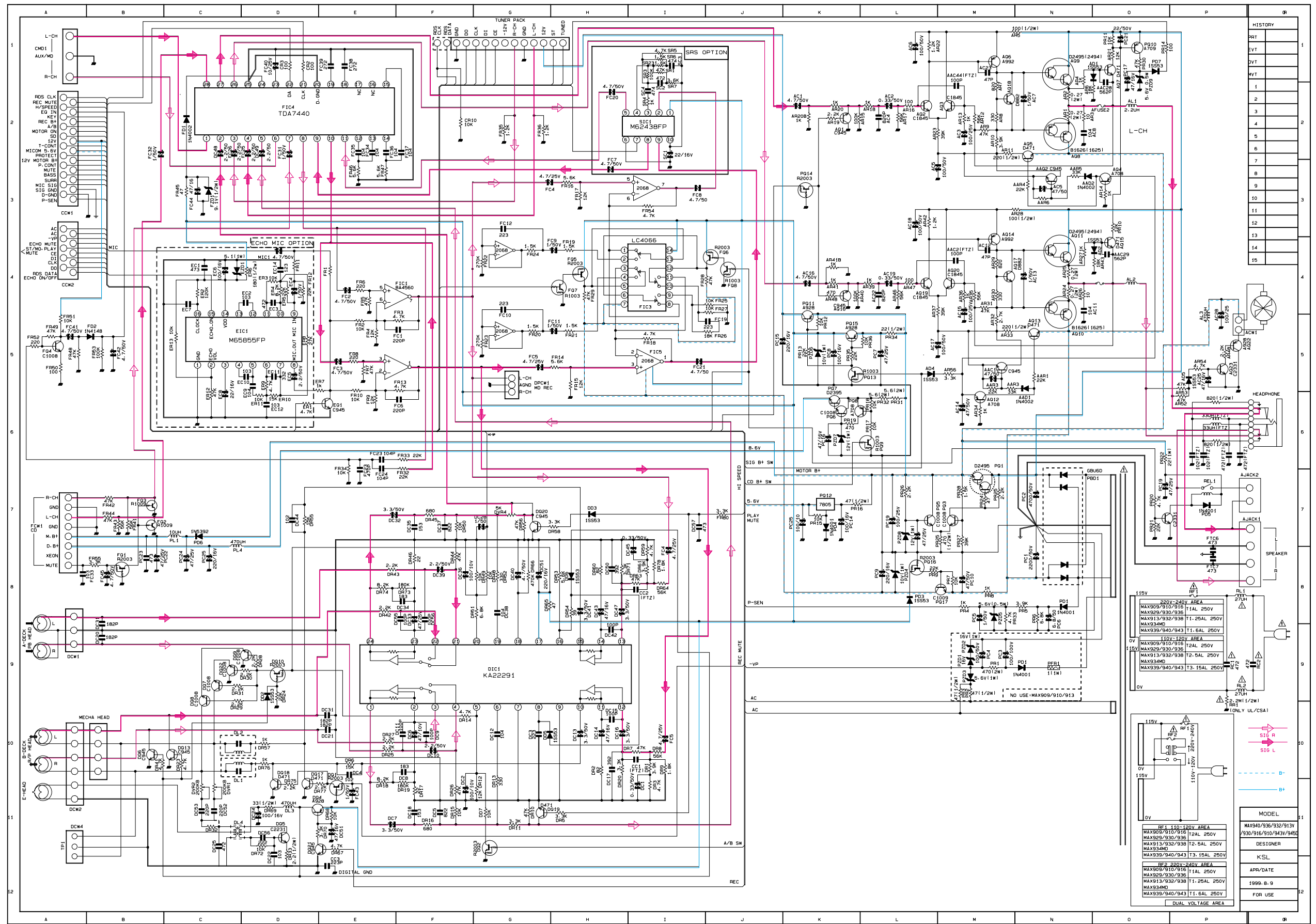


# 7. Schematic Diagram

## 7-1 CD Part



# 7-2 MAIN Part

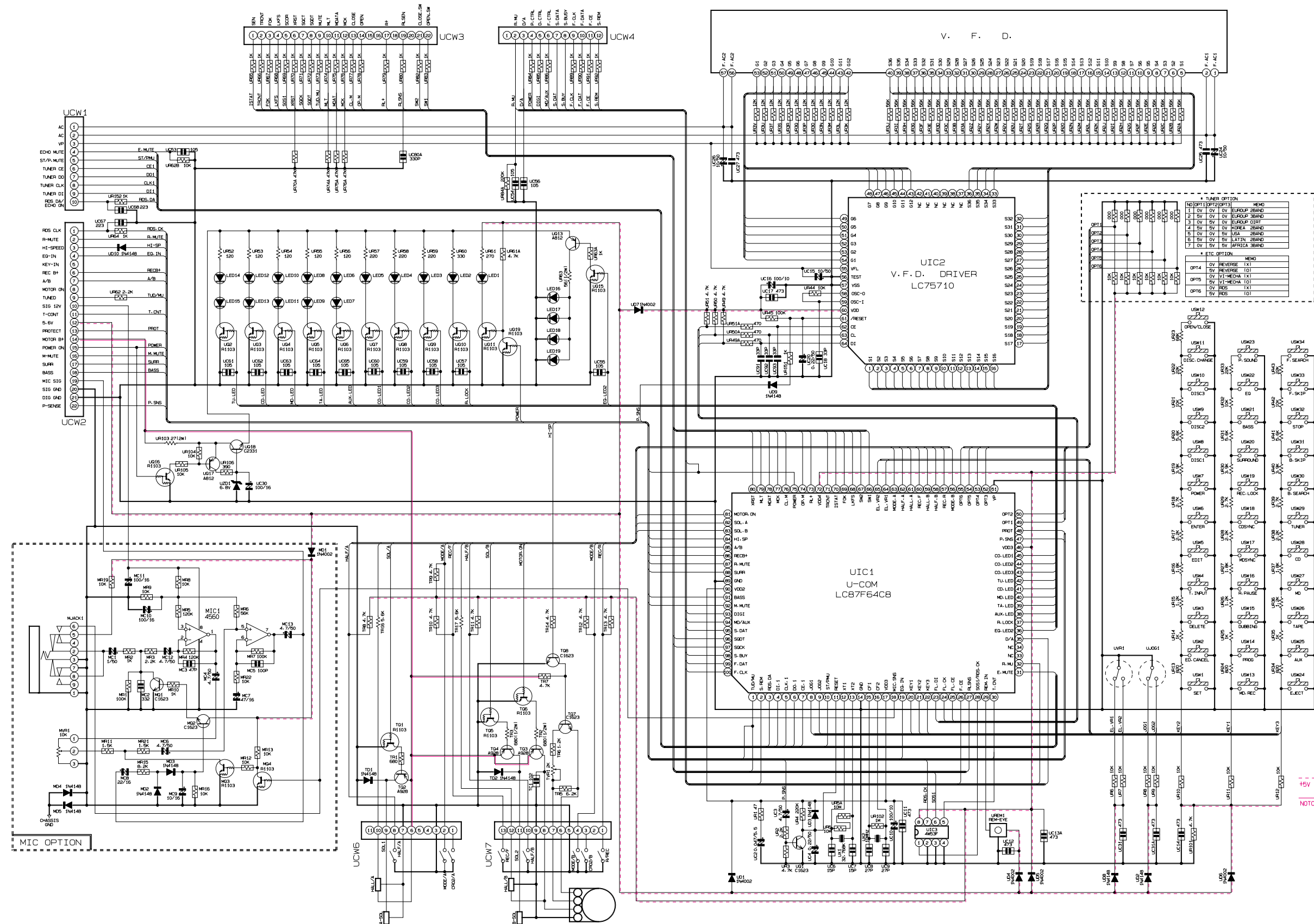


| HISTORY | REV | DATE | BY |
|---------|-----|------|----|
| 1       |     |      |    |
| 2       |     |      |    |
| 3       |     |      |    |
| 4       |     |      |    |
| 5       |     |      |    |
| 6       |     |      |    |
| 7       |     |      |    |
| 8       |     |      |    |
| 9       |     |      |    |
| 10      |     |      |    |
| 11      |     |      |    |
| 12      |     |      |    |
| 13      |     |      |    |
| 14      |     |      |    |
| 15      |     |      |    |

| MODEL                       | DESIGNER | DATE     | FOR USE |
|-----------------------------|----------|----------|---------|
| MAX909/910/916 T1AL 250V    | KSL      | 1999.8.9 |         |
| MAX939/930/936 T2AL 250V    |          |          |         |
| MAX913/932/938 T2.5AL 250V  |          |          |         |
| MAX934MD                    |          |          |         |
| MAX939/940/943 T1.6AL 250V  |          |          |         |
| MAX909/910/916 T2AL 250V    |          |          |         |
| MAX939/930/936 T2AL 250V    |          |          |         |
| MAX913/932/938 T2.5AL 250V  |          |          |         |
| MAX934MD                    |          |          |         |
| MAX939/940/943 T3.15AL 250V |          |          |         |
| MAX909/910/916 T1AL 250V    |          |          |         |
| MAX939/930/936 T1.25AL 250V |          |          |         |
| MAX913/932/938 T1.25AL 250V |          |          |         |
| MAX934MD                    |          |          |         |
| MAX939/940/943 T1.6AL 250V  |          |          |         |

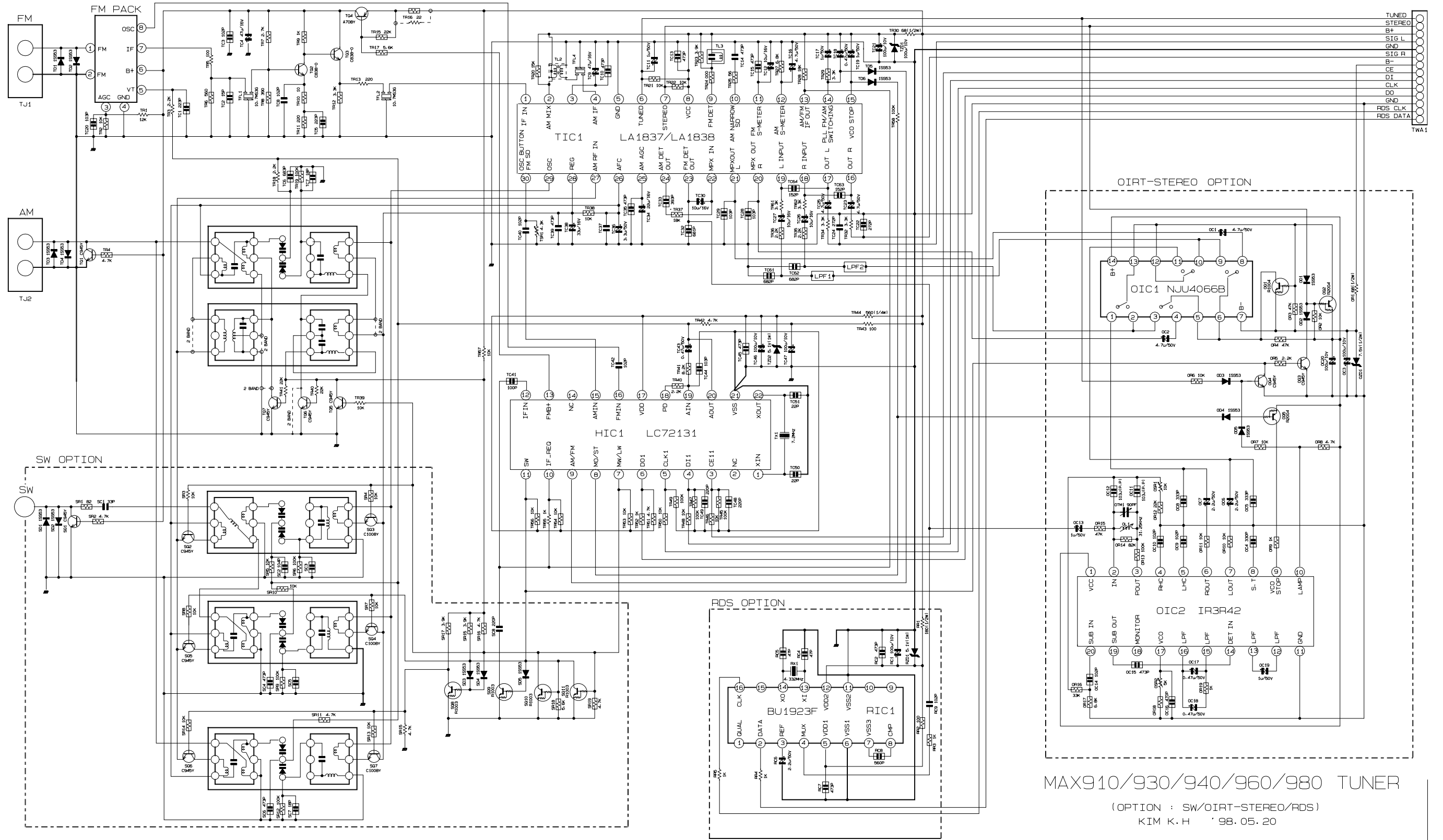


# 7-3 Front Part



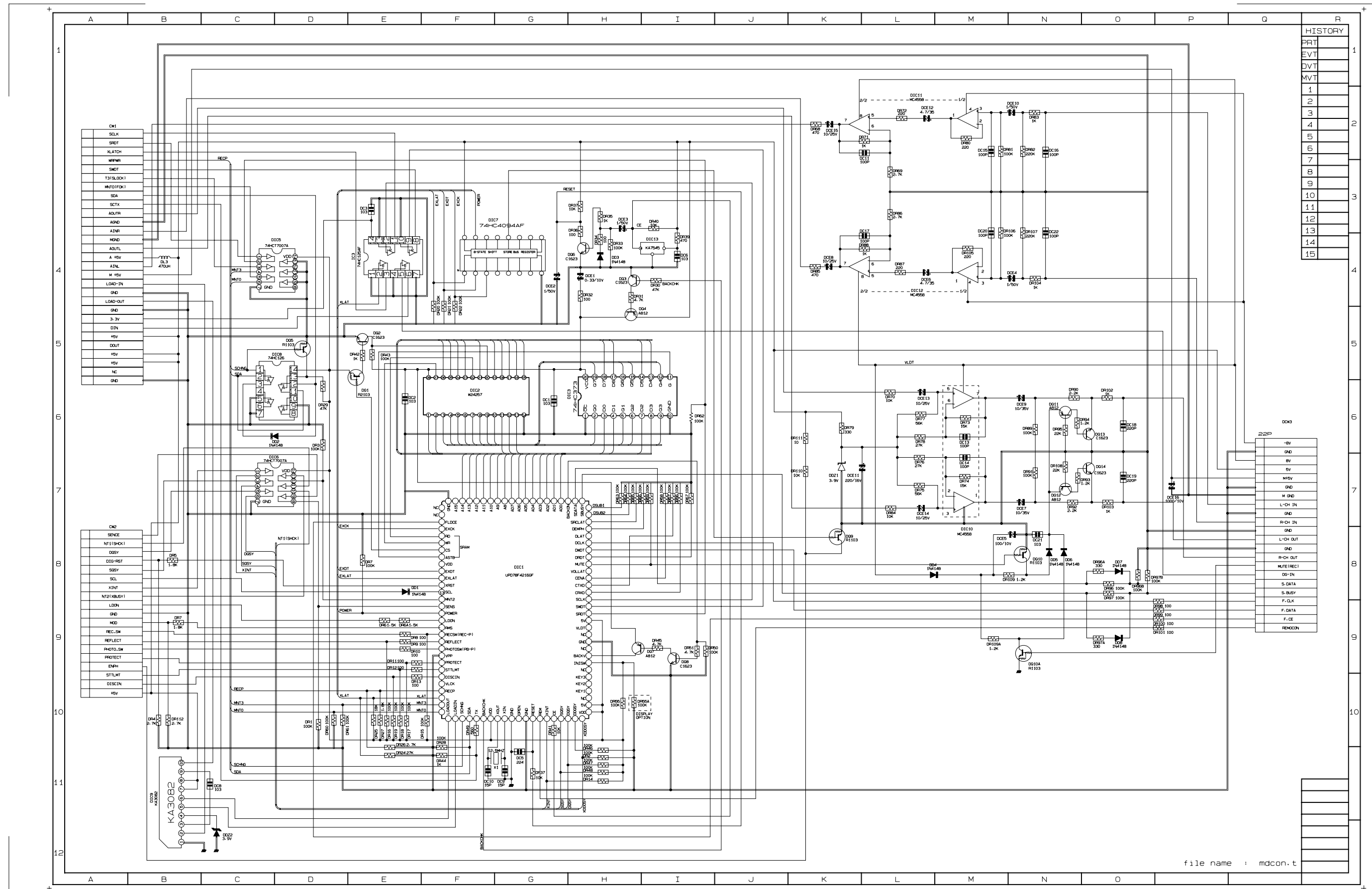
MAX-9340  
r0534.1  
1999. 10. 30

# 7-4 TUNER



MAX910/930/940/960/980 TUNER

(OPTION : SW/OIRT-STEREO/RDS)  
KIM K.H '98.05.20



| HISTORY |    |
|---------|----|
| PRT     | 1  |
| EVT     | 2  |
| DVT     | 3  |
| MVT     | 4  |
| 1       | 5  |
| 2       | 6  |
| 3       | 7  |
| 4       | 8  |
| 5       | 9  |
| 6       | 10 |
| 7       | 11 |
| 8       | 12 |
| 9       | 13 |
| 10      | 14 |
| 11      | 15 |

| CN3        |  |
|------------|--|
| -5V        |  |
| GND        |  |
| 5V         |  |
| 5V         |  |
| M5V        |  |
| GND        |  |
| M GND      |  |
| L-CH IN    |  |
| GND        |  |
| R-CH IN    |  |
| GND        |  |
| L-CH OUT   |  |
| GND        |  |
| R-CH OUT   |  |
| GND        |  |
| MUTE (REC) |  |
| DO-IN      |  |
| S-DATA     |  |
| S-BUSY     |  |
| F-CLK      |  |
| F-DATA     |  |
| F-CE       |  |
| RENOCON    |  |

file name : mdcon.t

