

# MDX-U1/U1RDS

---

**SONY.**  
**SERVICE MANUAL**

*US Model*  
*Canadian Model*  
*E Model*  
*MDX-U1*  
*AEP Model*  
*MDX-U1RDS*

## SUPPLEMENT-2

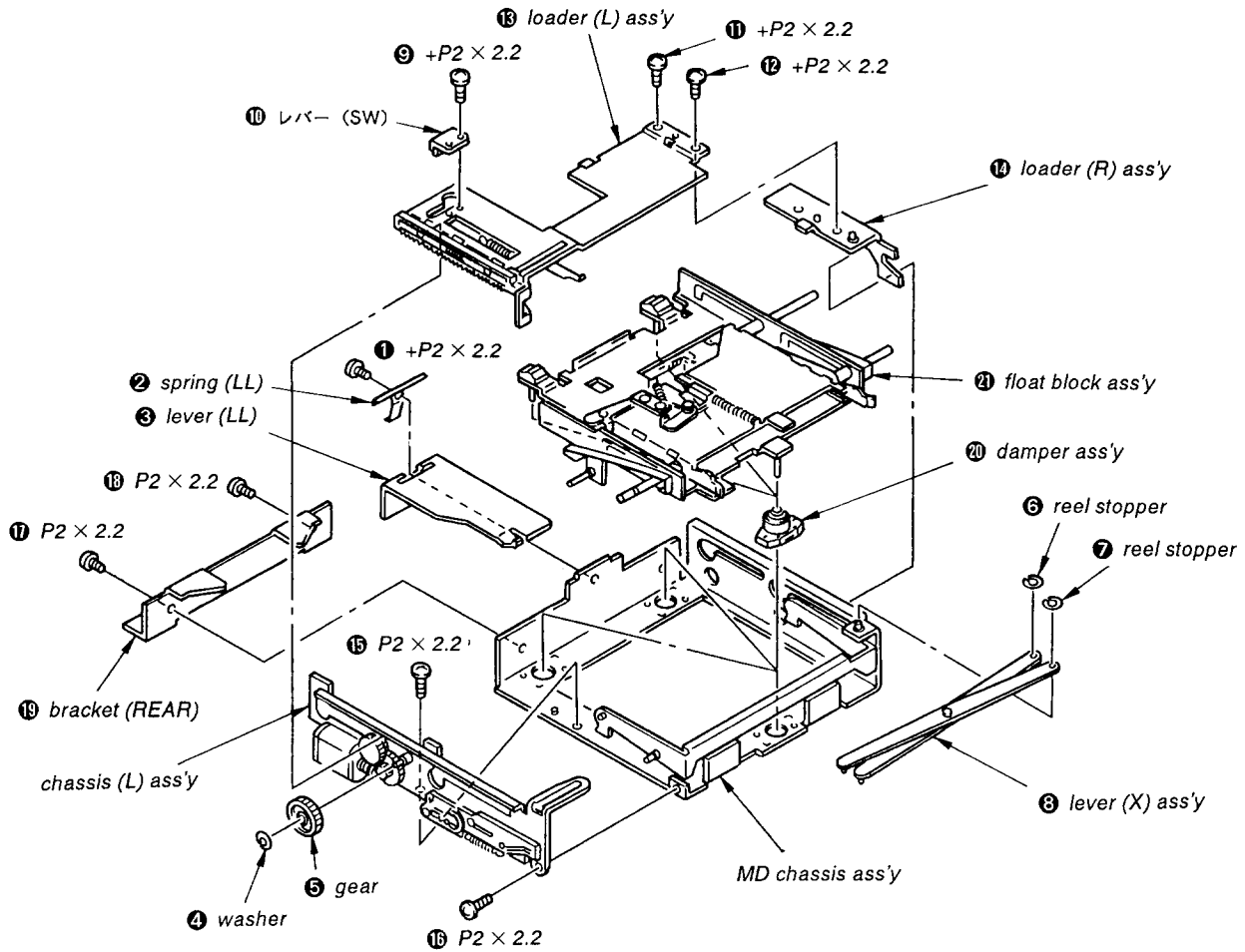
File this supplement with the service manual.

**Subject:**

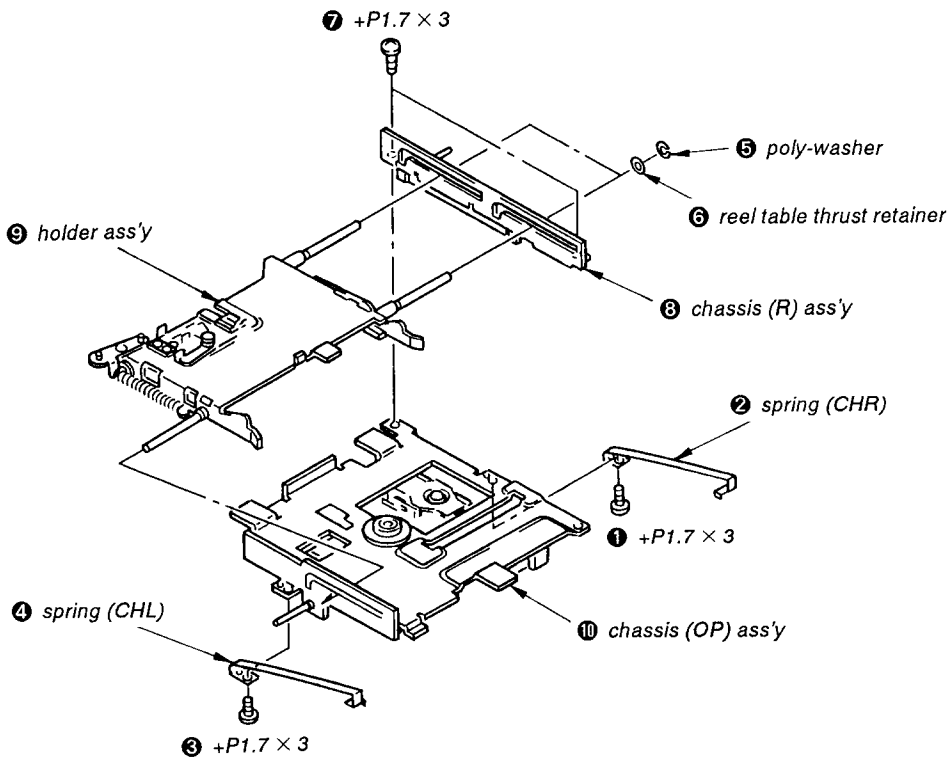
1. Disassembly  
(FLOAT BLOCK ASSY, CHASSIS (OP) BLOCK ASSY)
2. Correction of adjustments



1. Disassembly  
 • Float Block Assy



• Chassis (OP) Block Assy

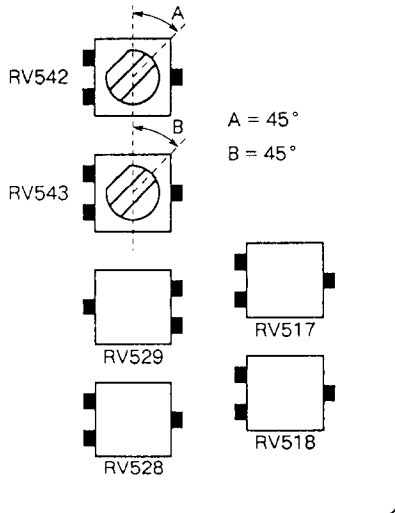


## 2. Correction of adjustments

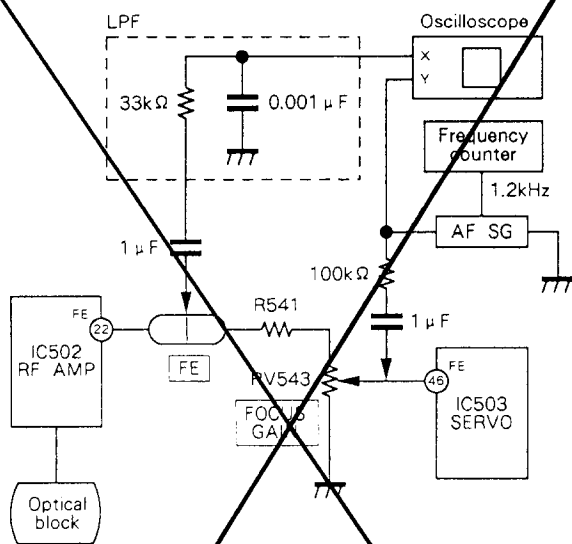
Page 6 (Supplement-1: 9-957-636-81)

### FOCUS/TRACKING GAIN Adjustments

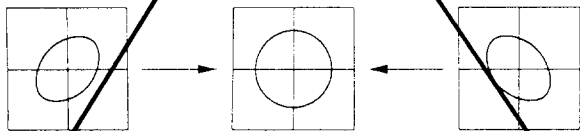
Set both RV542 and RV543 where turned clockwise by 45 degrees, as shown below.



### FOCUS GAIN Adjustment



(Waveforms observed on the oscilloscope)

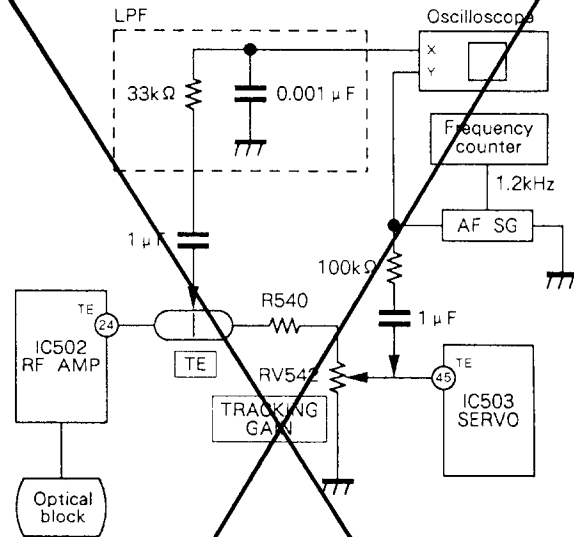


(a) Gain is too low. (b) Gain is appropriate. (c) Gain is too high.

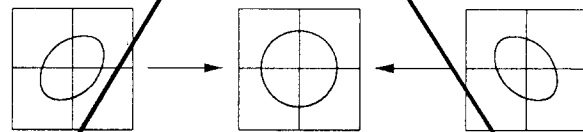
Play back an MO disk, and then adjust RV543 so that the waveform observed on the oscilloscope is symmetrical to the vertical line at the center, as shown in (b) in the figure.

deletion

### TRACKING GAIN Adjustment



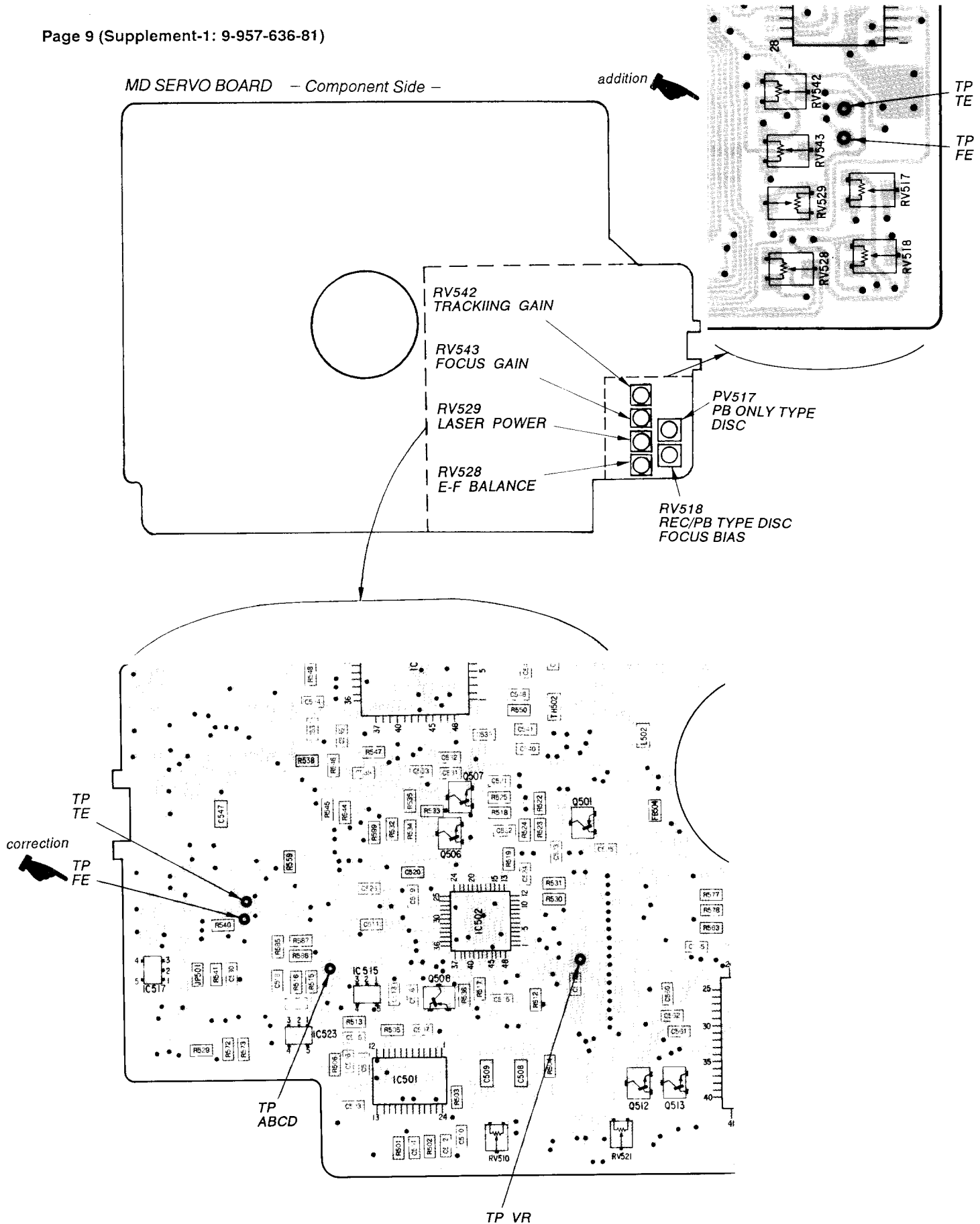
(Waveforms observed on the oscilloscope)



(a) Gain is too low. (b) Gain is appropriate. (c) Gain is too high.

Play back the MO disk, and then adjust RV542 so that the waveform observed on the oscilloscope is symmetrical to the vertical line at the center, as shown in (b) in the figure.

MD SERVO BOARD - Component Side -



Sony Corporation  
Mobile Electronics Group

English  
93E0576-1  
Printed in Japan  
© 1993. 5