

MDX-U1/U1RDS

SONY
SERVICE MANUAL

US Model
Canadian Model
E Model
MDX-U1
AEP Model
MDX-U1RDS

SUPPLEMENT-3

File this supplement with the service manual.

Subject:

1. Revision of Microcomputer IC504 and IC514
2. Printed Circuit Boards Modification

This supplement updates the service manual to include production changed.

TABLE OF CONTENTS

<u>Section</u>	<u>Title</u>	<u>Page</u>
1.	REVISION OF MICROCOMPUTER IC504 AND IC514	2
2.	PRINTED CIRCUIT BOARDS MODIFICATION	3
	Different Parts List	3
	MD Servo Section Printed Wiring Boards	5
	MD Servo Section Schematic Diagram	9
	Main Section Schematic Diagram	14
	Main Section Printed Wiring Boards	19

1. REVISION OF MICROCOMPUTER IC504 AND IC514

IC504 and IC514 has been changed as spare parts for repair.

Please note that there are two different type of IC514.

Be sure to use right one when it's changed.

• **New spare parts**

Board Name	Ref. No.	Part No.	Description	Remarks
Main	IC504	8-759-176-08	IC μ PD75518GF-108-3B9	
MD servo	IC514	8-759-173-76	IC μ PD78136GF-030-3B9	Not substitute
		8-759-178-11	IC μ PD78136GF-031-3B9	

• **Change notice for IC514 (Mechanism control microcomputer)**

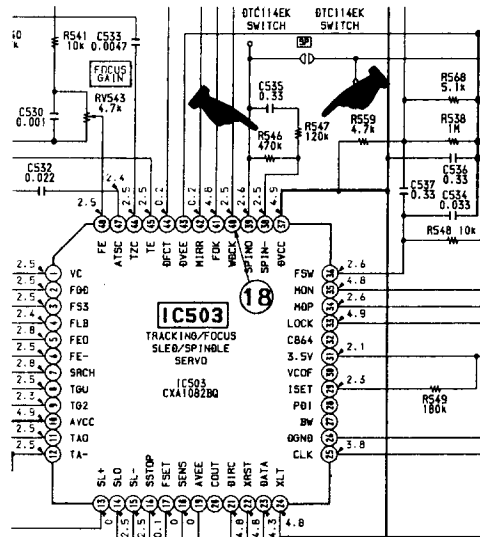
The sets is used three different type of IC514.

Be sure to use right one with the following chart when it's changed.

The type of microcomputer for mass-production	The type of microcomputer for repair		Treatment	
	Part No.	Description	Part No.	Description
μ PD78138	8-759-173-76	μ PD78136GF-030-3B9	R546 470k Ω \rightarrow 1-216-849-11	METAL CHIP 220k Ω 5% 1/16W R547 120k Ω \rightarrow 1-216-843-11 METAL CHIP 68k Ω 5% 1/16W
μ PD78136GF-030-3B9	8-759-173-76	μ PD78136GF-030-3B9		
μ PD78136GF-031-3B9	8-759-178-11	μ PD78136GF-031-3B9		

• **R546, R547 Location**

[MD SERVO BOARD]



[MD SERVO BOARD] (CONDUCTOR SIDE)

