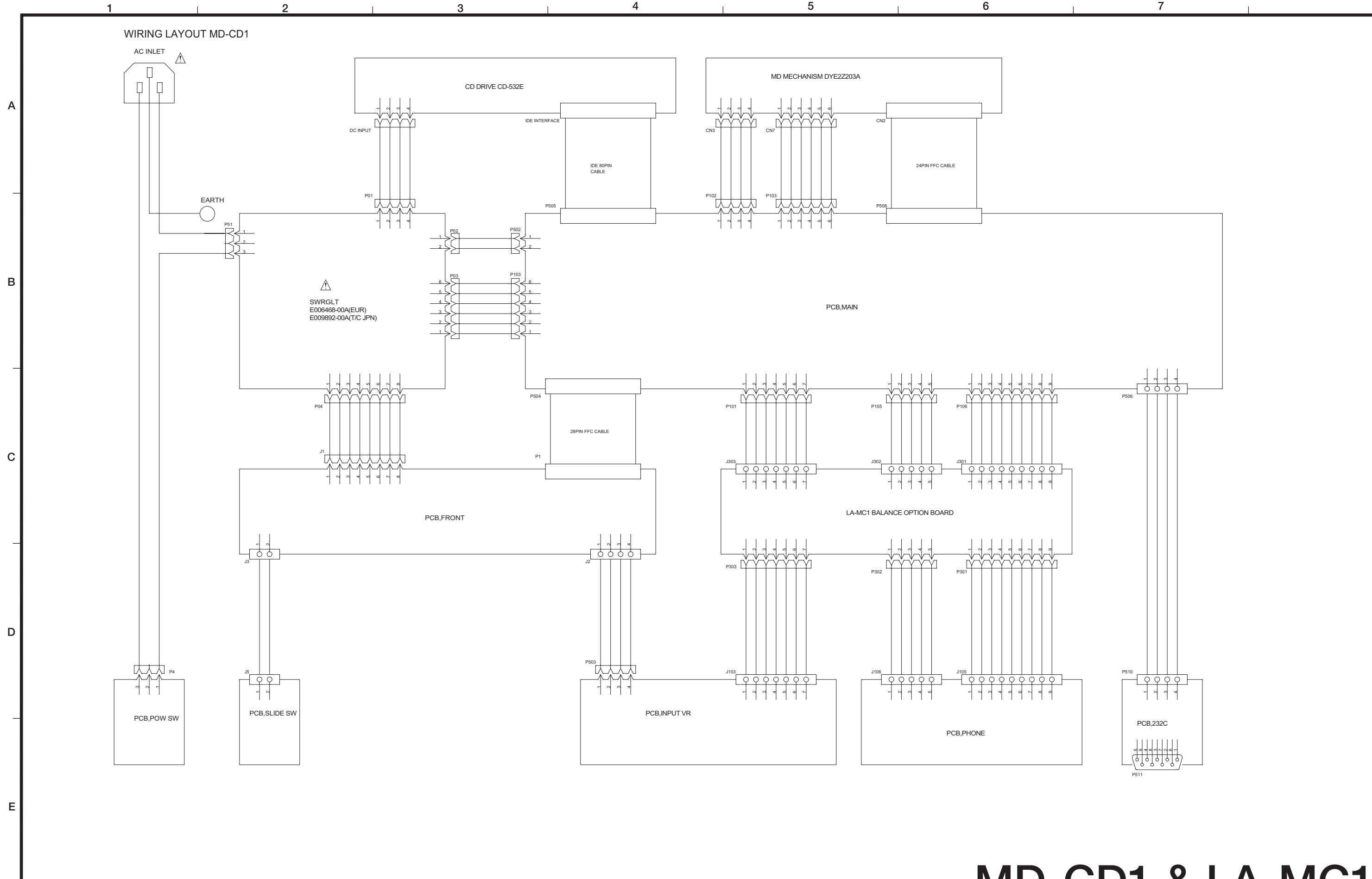


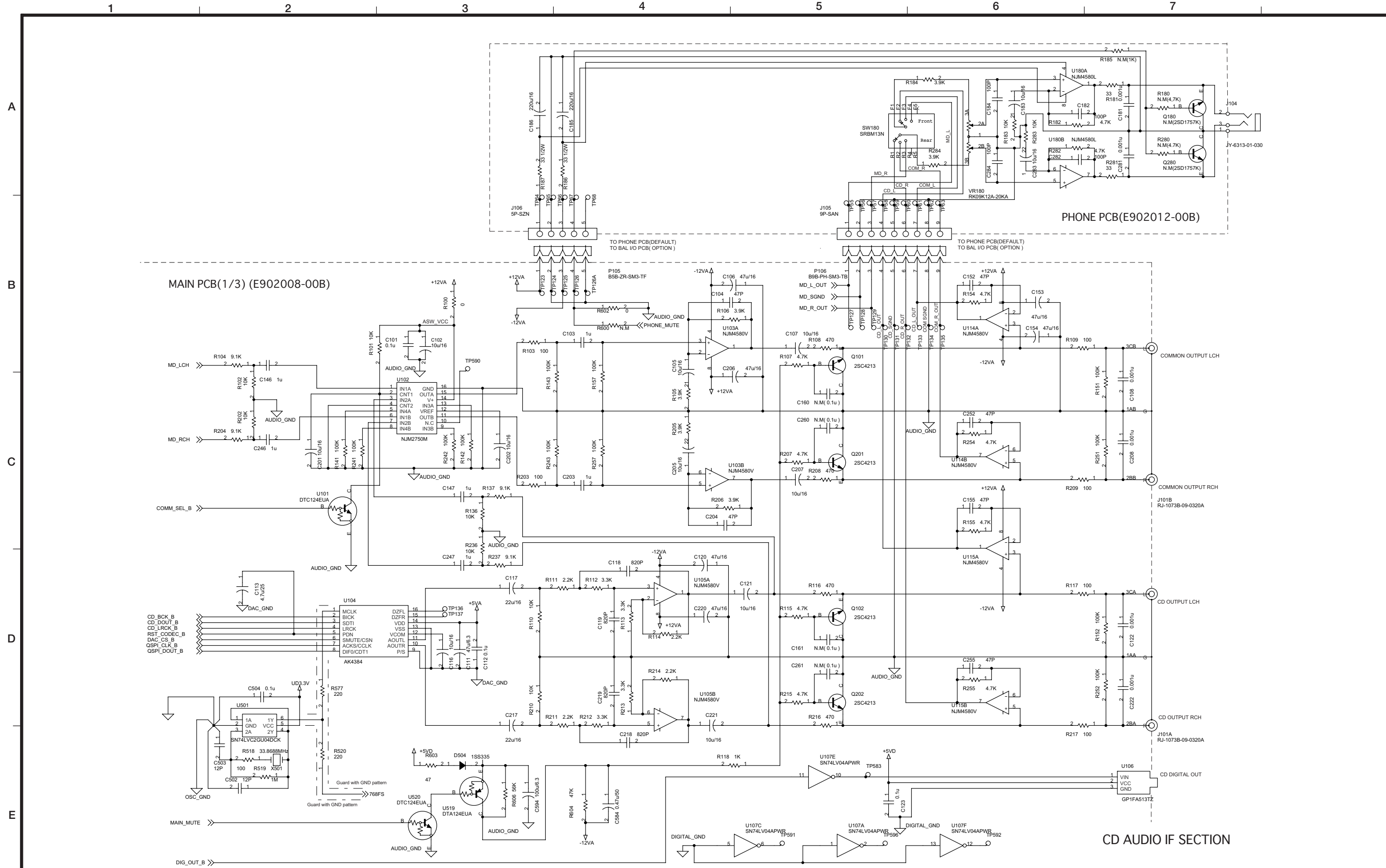
SCHEMATIC DIAGRAM MD-CD1 & LA-MC1

回路図

CONTENTS 目次

WIRING	2
CD AUDIO IF SECTION	3
MD AUDIO IF SECTION	4
MPU SECTION	5
FRONT SECTION	6
BALANCE I/O SECTION	7
DRIVE UNIT DYME2Z203 (1/2)	8
DRIVE UNIT DYME2Z203 (2/2)	9



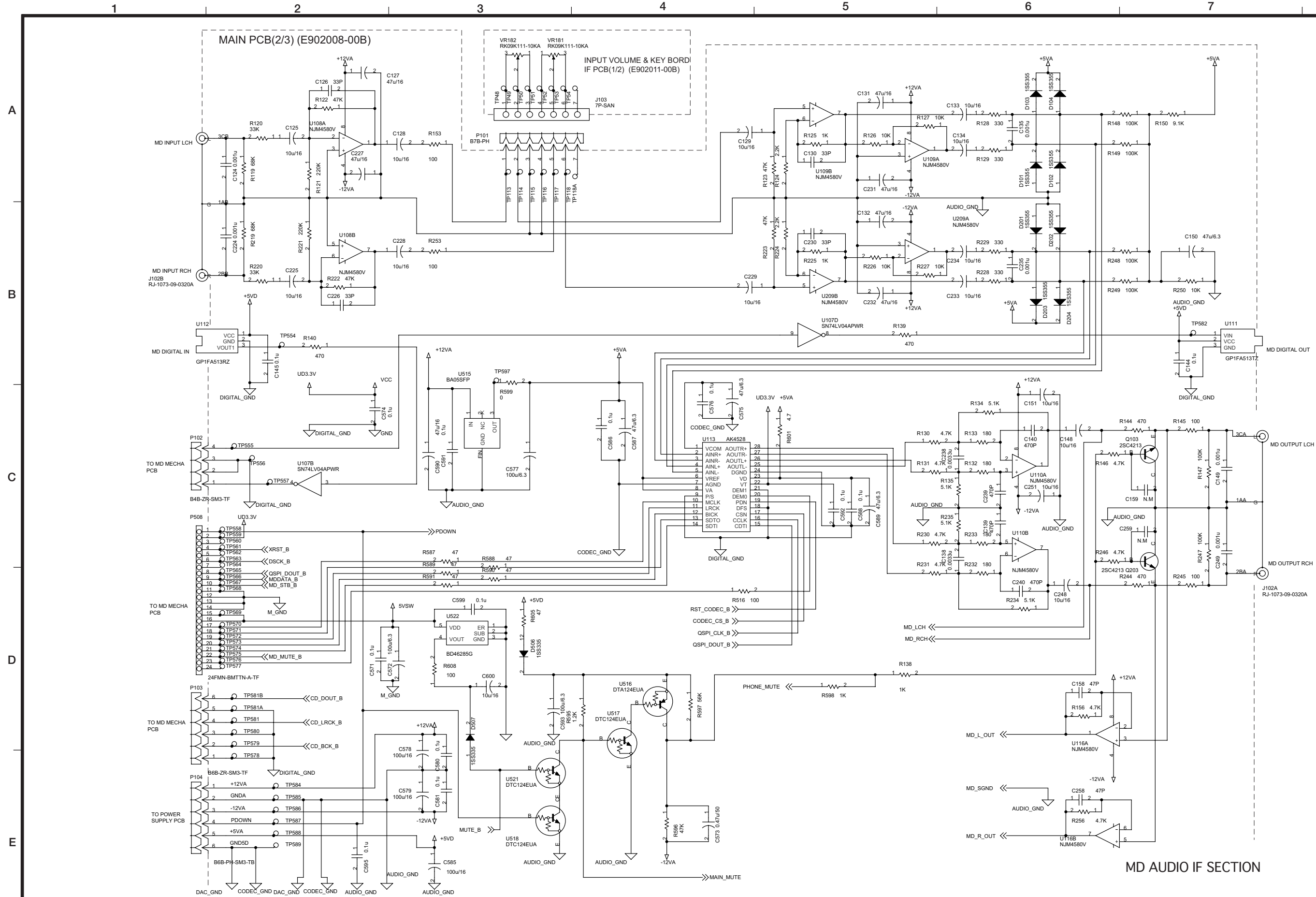


PHONE PCB(E902012-00B)

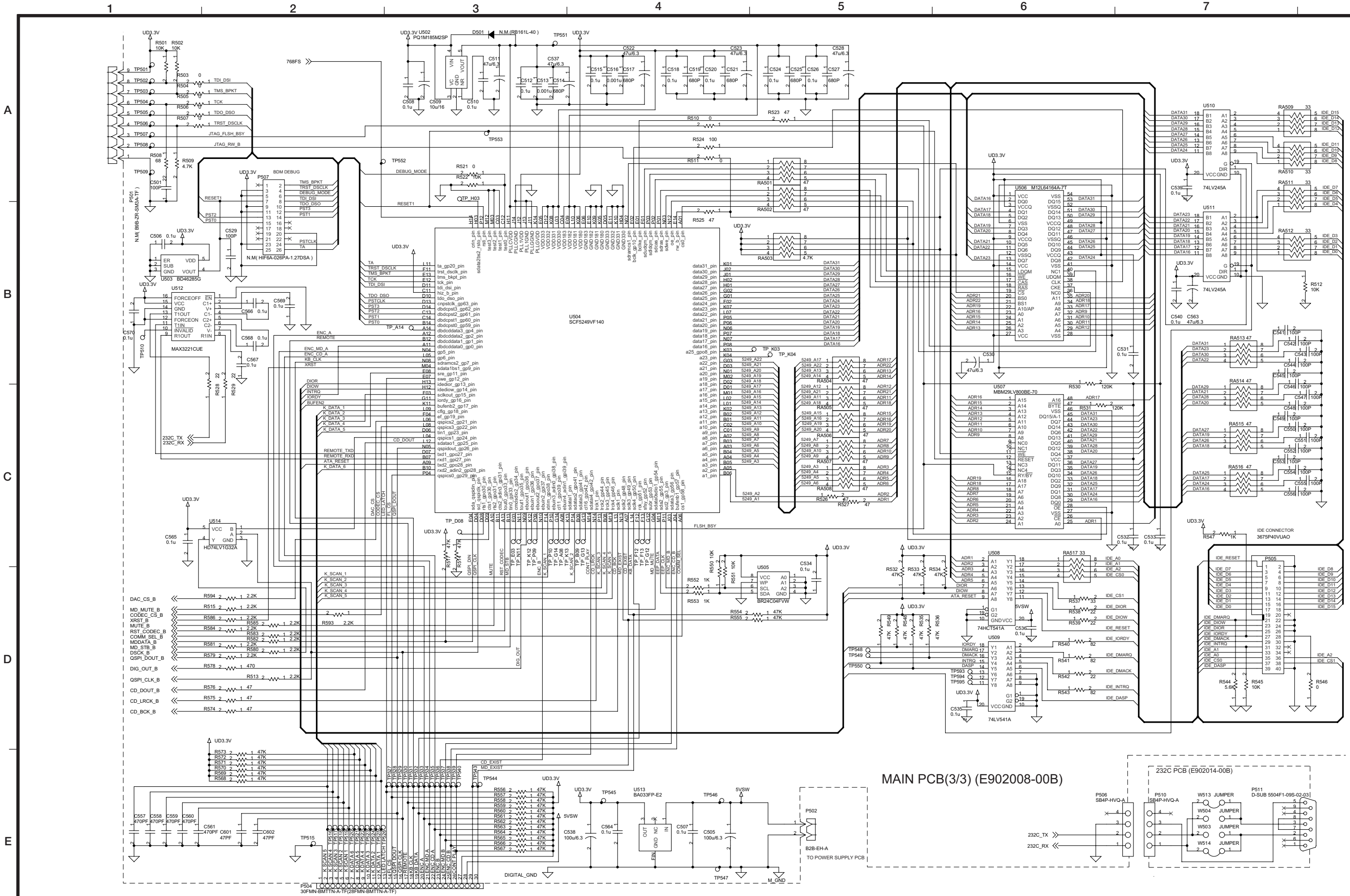
MAIN PCB(1/3) (E902008-00B)

CD AUDIO IF SECTION

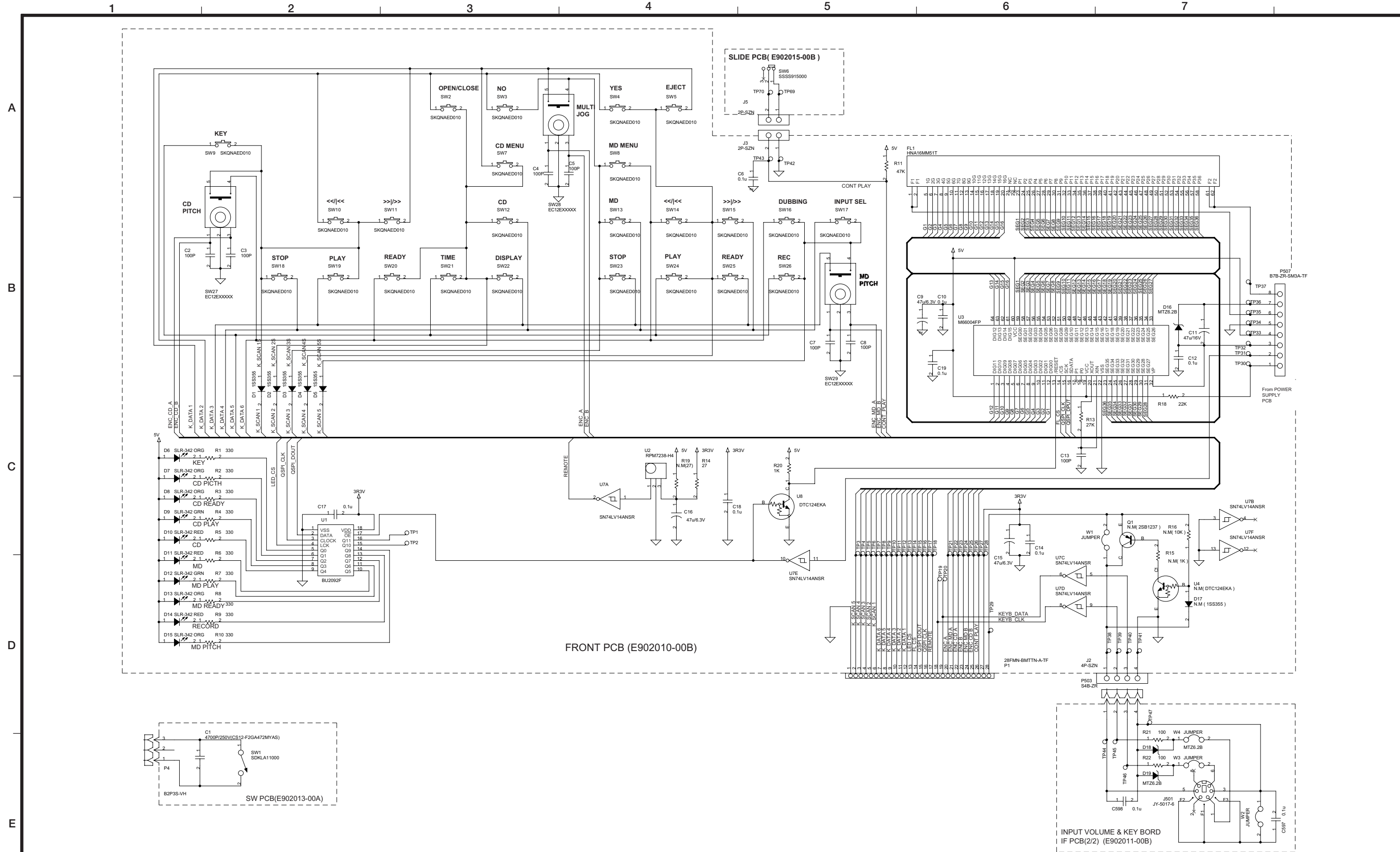
Minidisc Deck/CD Player MD-CD1 & LA-MC1



Minidisc Deck/CD Player **MD-CD1 & LA-MC1**



Minidisc Deck/CD Player **MD-CD1 & LA-MC1**



FRONT SECTION

Minidisc Deck/CD Player MD-CD1 & LA-MC1

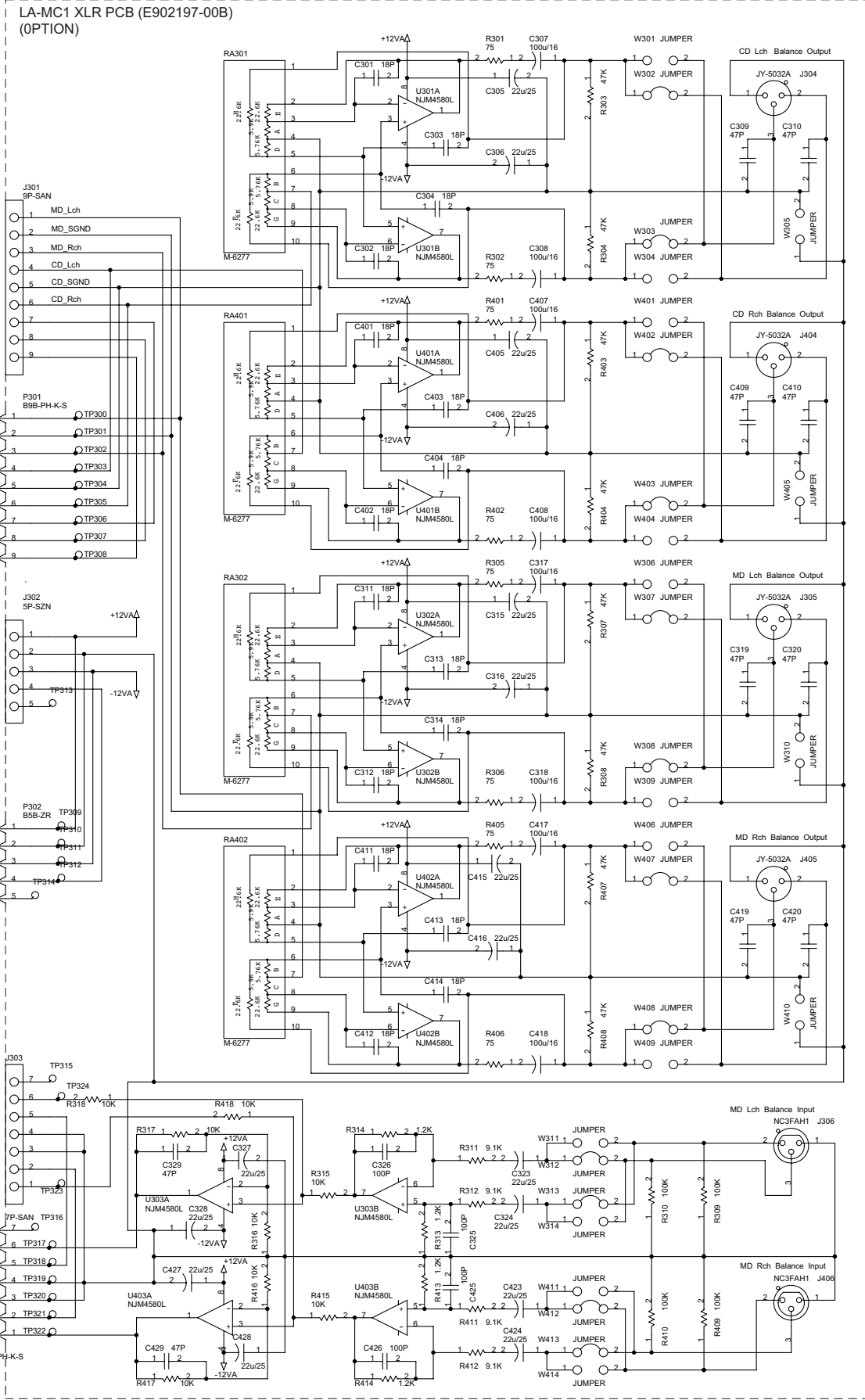
A

B

C

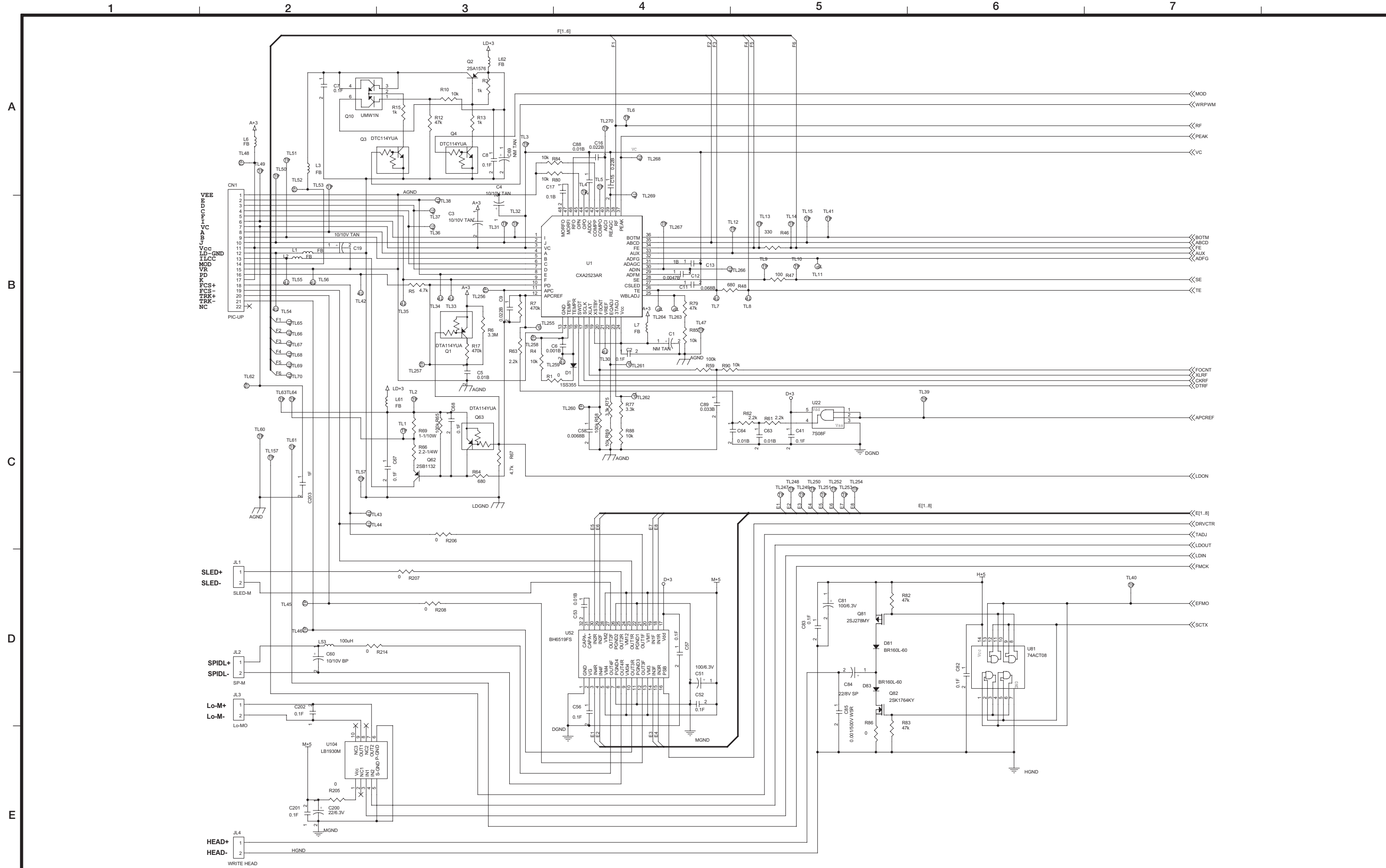
D

E

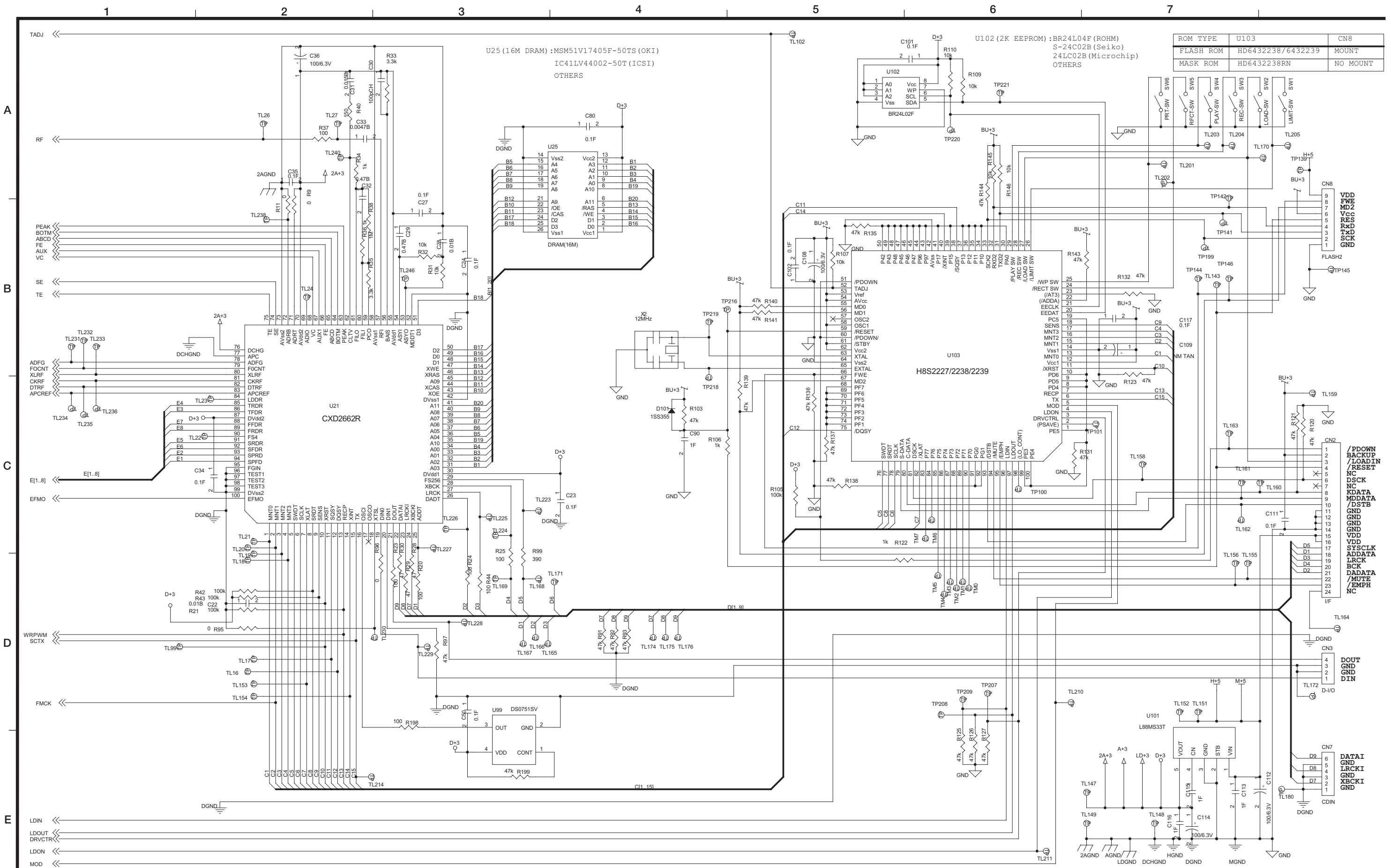


BALANCE I/O SECTION

Minidisc Deck/CD Player **MD-CD1 & LA-MC1**



Minidisc Deck/CD Player **MD-CD1 & LA-MC1**



Minidisc Deck/CD Player **MD-CD1 & LA-MC1**